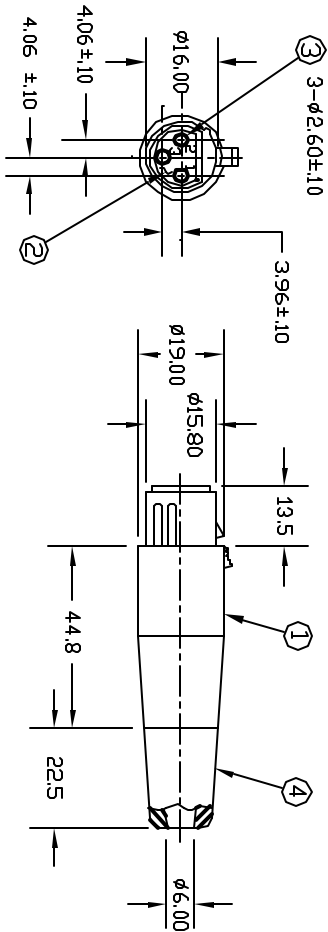


REVISONS		DOC. NO.	DATE	CHECKED	DATE	APPROVED	DATE
DCP #	REV	DESCRIPTION	DRAWN	DATE	CHECKED	DATE	APPROVED
XX	XX	XXXX	XXXX	19-09-08	XXXX	19-09-08	XXXX
XXXX	XXXX		XXXX	19-09-08	XXXX	19-09-08	XXXX



**SPECIFICATIONS**

ELECTRICAL:

- CONTACT RATING: 10A @ 125VAC
- 4 CONTACT
- CONTACT RATING: 5 MILIDHMS MAX
- INSULATION RESISTANCE: 5000 MEGOHMS MIN. @ 500VDC
- DIELECTRIC STRENGTH: 1400VAC
- CAPACITANCE: 7pF MAX.
- 4 CONTACT

MECHANICAL:

- INSERTION FORCE: 1.0 - 8.0 kg
- WITHDRAWAL FORCE: 1.0 - 8.0 kg

ENVIRONMENTAL:

- OPERATING TEMPERATURE: -55°C TO 70°C

NOTES:

1. HOUSING FINISH: NICKEL FINISHING
2. SOCKETS PLATING: GOLD PLATING
3. HOUSING HAS BRUSHED FINISH.
4. SET SCREW REMAIN CAPTIVE TO HOUSING.

ITEM	PART	QTY	MATERIAL/FINISH
1	HOUSING	1	ZINC DIE-CAST; NICKEL
2	INSERT INSULATOR	1	PPTJ GRAY
3	SDCKET	3	PHOSPHOR BRONZE; GOLD PLATED
4	CABLE RELIEF	1	NYLON; BLACK



TOLERANCES:

UNLESS OTHERWISE SPECIFIED, DIMENSIONS ARE FOR REFERENCE PURPOSES ONLY.

DISCLAIMER: ALL STATEMENTS AND TECHNICAL INFORMATION CONTAINED HEREIN ARE BASED UPON INFORMATION AND/OR TESTS WE BELIEVE TO BE ACCURATE AND RELIABLE. SINCE CONDITIONS OF USE ARE BEYOND OUR CONTROL, THE USER SHALL DETERMINE THE SUITABILITY OF THE PRODUCT FOR THE INTENDED USE AND ASSUME ALL RISK AND LIABILITY WHATSOEVER IN CONNECTION THEREWITH.

DRAWN BY:	DATE:
XXXX	19-09-08
CHECKED BY:	DATE:
XXXX	19-09-08
APPROVED BY:	DATE:
XXXX	19-09-08

DRAWING TITLE:

**XLR PLUG**

SIZE	DWG. NO.	ELECTRONIC FILE	REV
A	SPC21407	11M0602	XX
SCALE:	U.O.M.	INCHES [MM]	SHEET
NTS			1 OF 1