



SPC  
TECHNOLOGY

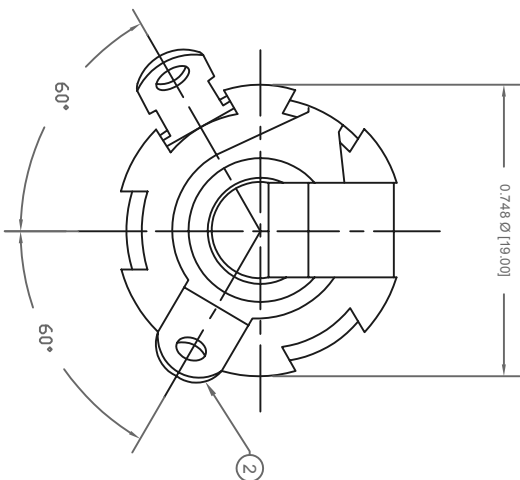
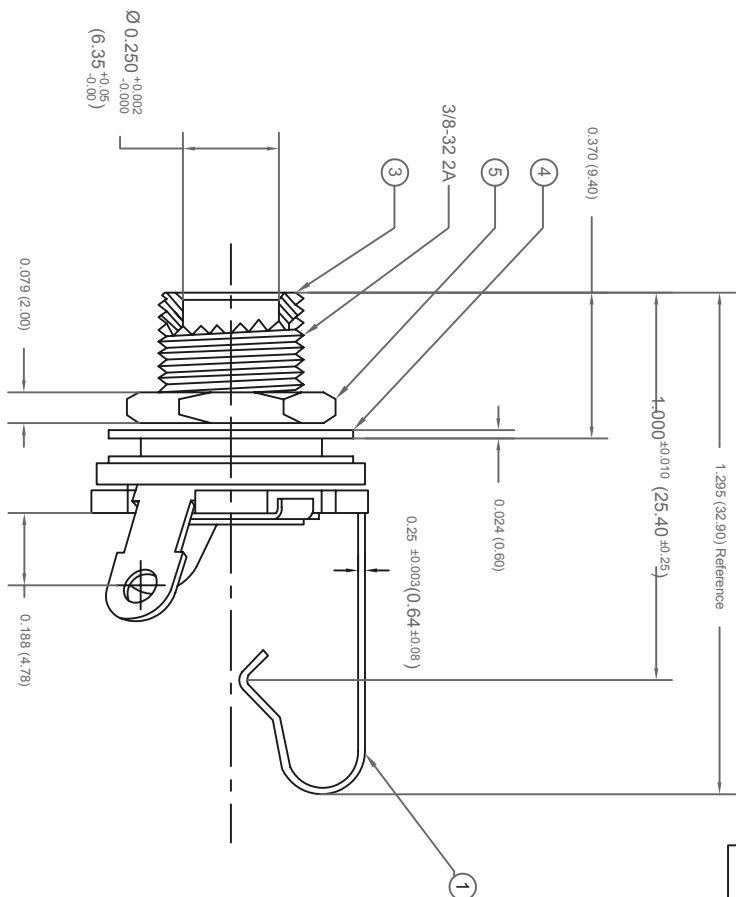
ALL RIGHTS RESERVED. NO PORTION OF THIS PUBLICATION, WHETHER IN WHOLE OR IN PART CAN BE REPRODUCED WITHOUT THE EXPRESS WRITTEN CONSENT OF SPC TECHNOLOGY.

SPC-F005.DWG

REVISIONS		DOC. NO.	SPC-F005	*	Effective:	7/8/02	*	DCP No:	1398
DCP #	REV	DESCRIPTION		DRAWN	DATE	CHECKD	DATE	APPRVD	DATE
		ARN	05-10-10	JAG	05-10-10	XXX	20-10-10		

Unless Otherwise specified, All Dimensions are in Inches with Metric in Brackets.

TO 2 DEC. PLS. ±  
TO 3 DEC. PLS. ±0.015(0.381)  
As Angles. ±



Dimensions : Inches (mm)

DISCLAIMER:  
ALL STATEMENTS AND TECHNICAL INFORMATION CONTAINED HEREIN ARE BASED UPON INFORMATION AND/OR TESTS WE BELIEVE TO BE ACCURATE AND RELIABLE. SINCE CONDITIONS OF USE ARE BEYOND OUR CONTROL, THE USER SHALL DETERMINE THE SUITABILITY OF THE PRODUCT FOR THE INTENDED USE AND ASSUME ALL RISK AND LIABILITY WHATSOEVER IN CONNECTION THEREWITH.

TOLERANCES:

UNLESS OTHERWISE SPECIFIED, DIMENSIONS ARE FOR REFERENCE PURPOSES ONLY.

DRAWN BY:

ARN

DATE:

05-10-10

DRAWING TITLE:

2 Conductor Phone Jack

CHECKED BY:

JAG

DATE:

05-10-10

DWG. NO.:

XXX

APPROVED BY:

XXX

DATE:

20-10-10

SCALE:

NTS

SHEET:

1 OF 1

DATE:

05-10-10

DWG. NO.:

XXX

APPROVED BY:

XXX

DATE:

20-10-10

SCALE:

NTS

SHEET:

1 OF 1

DATE:

05-10-10

DWG. NO.:

XXX

APPROVED BY:

XXX

DATE:

20-10-10

SCALE:

NTS

SHEET:

1 OF 1

DATE:

05-10-10

DWG. NO.:

XXX

APPROVED BY:

XXX

DATE:

20-10-10

SCALE:

NTS

SHEET:

1 OF 1

DATE:

05-10-10

DWG. NO.:

XXX

APPROVED BY:

XXX

DATE:

20-10-10

SCALE:

NTS

SHEET:

1 OF 1

DATE:

05-10-10

DWG. NO.:

XXX

APPROVED BY:

XXX

DATE:

20-10-10

SCALE:

NTS

SHEET:

1 OF 1

DATE:

05-10-10

DWG. NO.:

XXX

APPROVED BY:

XXX

DATE:

20-10-10

SCALE:

NTS

SHEET:

1 OF 1

DATE:

05-10-10

DWG. NO.:

XXX

APPROVED BY:

XXX

DATE:

20-10-10

SCALE:

NTS

SHEET:

1 OF 1

DATE:

05-10-10

DWG. NO.:

XXX

APPROVED BY:

XXX

DATE:

20-10-10

SCALE:

NTS

SHEET:

1 OF 1

DATE:

05-10-10

DWG. NO.:

XXX

APPROVED BY:

XXX

DATE:

20-10-10

SCALE:

NTS

SHEET:

1 OF 1

DATE:

05-10-10

DWG. NO.:

XXX

APPROVED BY:

XXX

DATE:

20-10-10

SCALE:

NTS

SHEET:

1 OF 1

DATE:

05-10-10

DWG. NO.:

XXX

APPROVED BY:

XXX

DATE:

20-10-10

SCALE:

NTS

SHEET:

1 OF 1

DATE:

05-10-10

DWG. NO.:

XXX

APPROVED BY:

XXX

DATE:

20-10-10

SCALE:

NTS

SHEET:

1 OF 1

DATE:

05-10-10

DWG. NO.:

XXX

APPROVED BY:

XXX

DATE:

20-10-10

SCALE:

NTS

SHEET:

1 OF 1

DATE:

05-10-10

DWG. NO.:

XXX

APPROVED BY:

XXX

DATE:

20-10-10

SCALE:

NTS

SHEET:

1 OF 1

DATE:

05-10-10

DWG. NO.:

XXX

APPROVED BY:

XXX

DATE:

20-10-10

SCALE:

NTS

SHEET:

1 OF 1

DATE:

05-10-10

DWG. NO.:

XXX

APPROVED BY:

XXX

DATE:

20-10-10

SCALE:

NTS

SHEET:

1 OF 1

DATE:

05-10-10

DWG. NO.:

XXX

APPROVED BY:

XXX

DATE:

20-10-10

SCALE:

NTS

SHEET:

1 OF 1

DATE:

05-10-10

DWG. NO.:

XXX

APPROVED BY:

XXX

DATE:

20-10-10

SCALE:

NTS

SHEET:

1 OF 1

DATE:

05-10-10

DWG. NO.:

XXX

APPROVED BY:

XXX

DATE:

20-10-10

SCALE:

NTS

SHEET:

1 OF 1

DATE:

05-10-10

DWG. NO.:

XXX

APPROVED BY:

XXX

DATE:

20-10-10

SCALE:

NTS

SHEET:

1 OF 1

DATE:

05-10-10

DWG. NO.:

XXX

APPROVED BY:

XXX

DATE:

20-10-10

SCALE:

NTS

SHEET:

1 OF 1

DATE:

05-10-10

DWG. NO.:

XXX

APPROVED BY:

XXX



SPC  
TECHNOLOGY

ALL RIGHTS RESERVED. NO PORTION OF THIS PUBLICATION, WHETHER IN WHOLE OR IN PART CAN BE REPRODUCED WITHOUT THE EXPRESS WRITTEN CONSENT OF SPC TECHNOLOGY.

SPC-F005.DWG

REVISIONS

DCP #	REV	DESCRIPTION	DRAWN	DATE	CHECKD	DATE	APPRVD	DATE
			ARN	05-10-10	JAG	05-10-10	XXX	20-10-10

DOC. NO. SPC-F005 \* Effective: 7/8/02 \* DCP No: 1398



RoHS  
Compliant

Note:  
1. Phone Jack Shall Meet the Requirements of Specification SR11110

Item	Description	Material/Finish
1	Spring	Bronze, Tin Plated
2	Terminal	Brass, Tin Plated
3	Mounting Bushing	Brass, Nickel Plated
4	Washer	Steel, Nickel Plated
5	Hex Nut 3/8-32	Brass, Nickel Plated

Part Number Table

Description	Part Number
2 Conduit Phone Jack	SPC21394

DISCLAIMER:  
ALL STATEMENTS AND TECHNICAL INFORMATION CONTAINED HEREIN ARE BASED UPON INFORMATION AND/OR TESTS WE BELIEVE TO BE ACCURATE AND RELIABLE. SINCE CONDITIONS OF USE ARE BEYOND OUR CONTROL, THE USER SHALL DETERMINE THE SUITABILITY OF THE PRODUCT FOR THE INTENDED USE AND ASSUME ALL RISK AND LIABILITY WHATSOEVER IN CONNECTION THEREWITH.

TOLERANCES:

UNLESS OTHERWISE SPECIFIED, DIMENSIONS ARE FOR REFERENCE PURPOSES ONLY.

DRAWN BY:

ARN

DATE:

05-10-10

CHECKED BY:

JAG

DATE:

05-10-10

APPROVED BY:

XXX

DATE:

20-10-10

DRAWING TITLE:

2 Conductor Phone Jack

SIZE DWG. NO.

XXX SPC21394

ELECTRONIC FILE

11M0589

SCALE: NTS

U.O.M.: INCHES [mm]

SHEET: 1 OF 1

REV

A