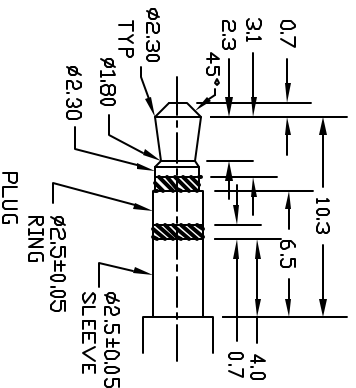
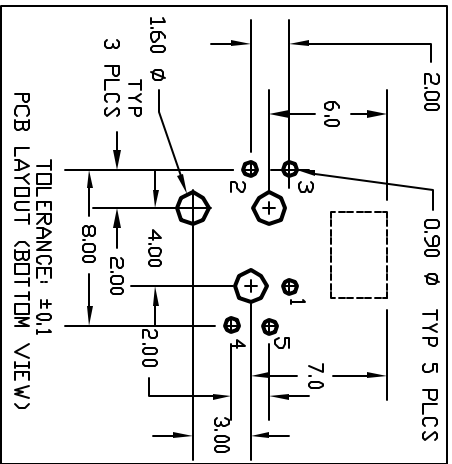
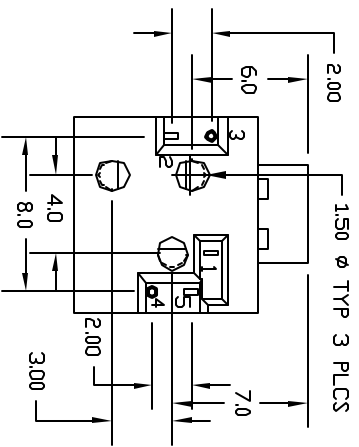
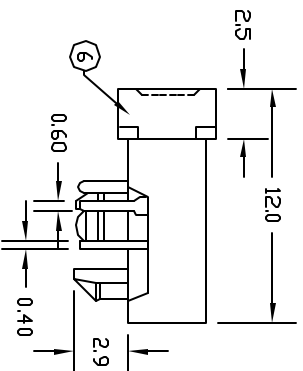
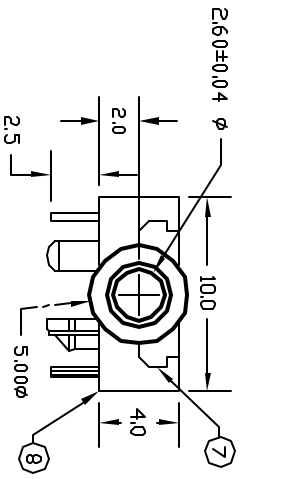


ALL RIGHTS RESERVED. NO PORTION OF THIS PUBLICATION, WHETHER IN WHOLE OR IN PART, CAN BE REPRODUCED WITHOUT THE EXPRESS WRITTEN CONSENT OF SPC TECHNOLOGY.

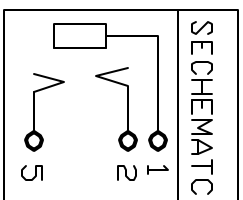
SPC-F005.DWG

REVISIONS

DCP #	REV	DESCRIPTION	DRAWN	DATE	CHECKD	DATE	APPRVD	DATE
XX	XX	XXXX	XXXX	19-09-08	XXXX	19-09-08	XXXX	19-09-08
XXXX	XXXX		XXXX	19-09-08	XXXX	19-09-08	XXXX	19-09-08



ITME	DESCRIPTION	MATERIAL/FINISH
1	SLEEVE	PHOSPHOR BRONZE - TIN PLATED
2	RING	PHOSPHOR BRONZE - TIN PLATED
3	RING SHUNT	PHOSPHOR BRONZE - TIN PLATED
4	TIP SHUNT	PHOSPHOR BRONZE - TIN PLATED
5	TIP	PHOSPHOR BRONZE - TIN PLATED
6	BUSHING	BRASS - NICKEL PLATED
7	COVER	NYLON - BLACK
8	HOUSING	NYLON - BLACK



SPECIFICATIONS

ELECTRICAL:
 CONTACT RESISTANCE: 30 MILLI OHMS MAX.
 INSULATION RESISTANCE: 100 MEG OHMS MIN. @ 500 VDC
 DIELECTRIC STRENGTH: 500 VRMS FOR 1 MINUTE

MECHANICAL:
 LIFE: 5000 CYCLES
 INSERTION FORCE: 0.3 - 2.0 KG
 WITHDRAWAL FORCE: 0.3 - 2.0 KG



TOLERANCES:

UNLESS OTHERWISE SPECIFIED, DIMENSIONS ARE FOR REFERENCE PURPOSES ONLY.

DRAWN BY:	DATE:
XXXX	19-09-08
CHECKED BY:	DATE:
XXXX	19-09-08
APPROVED BY:	DATE:
XXXX	19-09-08

DRAWING TITLE:

AUDIO JACK

SIZE	DWG. NO.	ELECTRONIC FILE	REV
A	SPC21359	11M0554	XX
SCALE:	NTS	U.O.M.: INCHES [MM]	SHEET: 1 OF

DISCLAIMER:
 ALL STATEMENTS AND TECHNICAL INFORMATION CONTAINED HEREIN ARE BASED UPON INFORMATION AND/OR TESTS WE BELIEVE TO BE ACCURATE AND RELIABLE. SINCE CONDITIONS OF USE ARE BEYOND OUR CONTROL, THE USER SHALL DETERMINE THE SUITABILITY OF THE PRODUCT FOR THE INTENDED USE AND ASSUME ALL RISK AND LIABILITY WHATSOEVER IN CONNECTION THEREWITH.