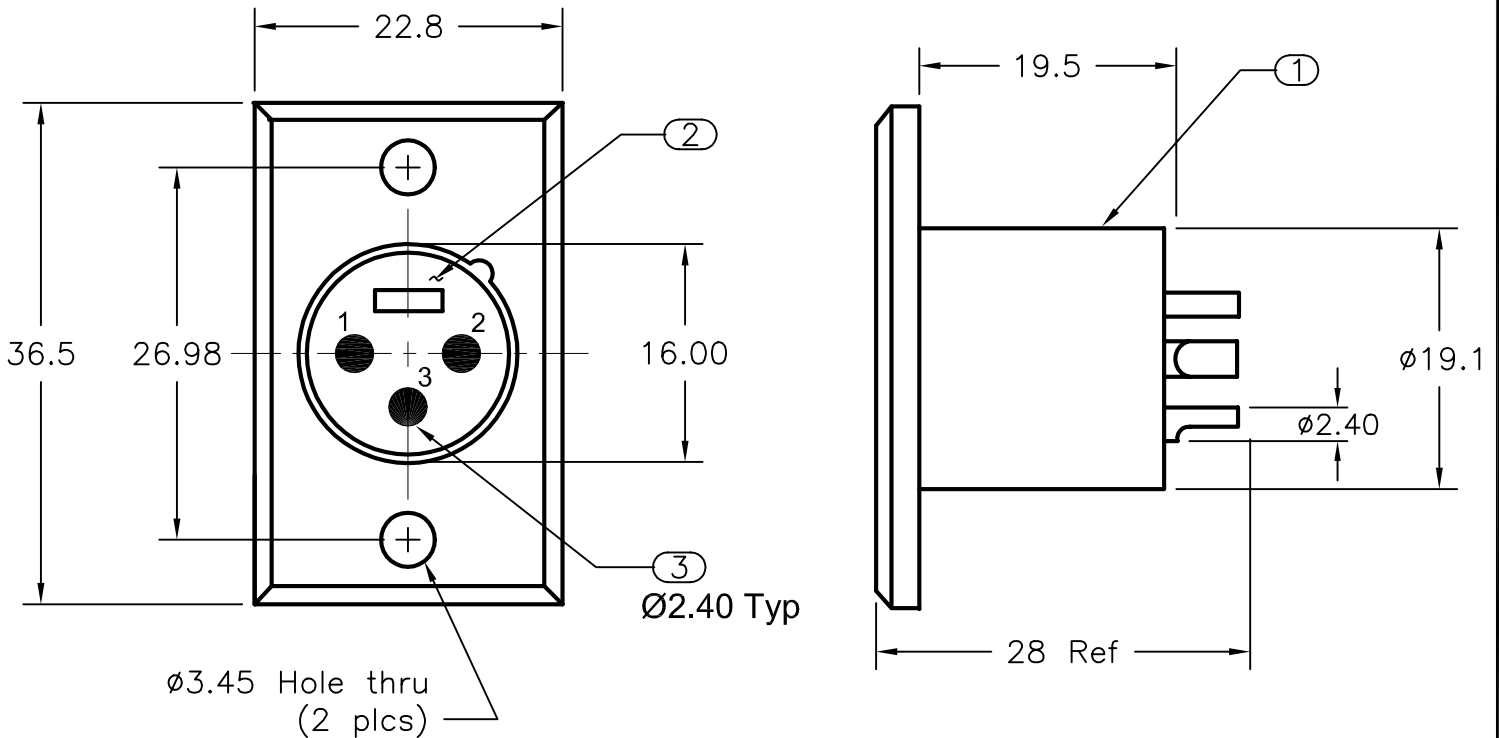


DCP #	REV	DESCRIPTION	DRAWN	DATE	CHECKD	DATE	APPRVD	DATE
492	A	RELEASED	J.W.M.	9/3/02	HO	10/14/02	DJC	11/4/02



Electrical Specifications:

1. Contact Rating: 15A @ 125 VAC
2. Contact Resistance: 5 milliohms max.
3. Insulation Resistance: 5000 Megohms min @ 500 VDC
4. Dielectric Strength: 1400 VAC
5. Capacitance: 4pF max.

Mechanical Specifications:

1. Insertion Force: 1.0 ~ 8.0 kg
2. Withdrawal Force: 1.0 ~ 8.0 kg

Environmental Specifications:

1. Operating Temperature: -55°C ~ 70°C

Item	Part	Material/Finish
1	Housing	Zinc Die Cast; Black Finish
2	Insert Insulator	PPO-1, UL94V-0, Gray
3	Pin	Brass, Silver Plated

SPC-F004.DWG

<p>TOLERANCES: UNLESS OTHERWISE SPECIFIED, DIMENSIONS ARE FOR REFERENCE PURPOSES ONLY.</p>	<p>DRAWN BY: Jeff McVicker</p>	<p>DATE: 4/3/00</p>	<p>DRAWING TITLE: 3-Pin Male XLR Type Audio Receptacle</p>			
	<p>CHECKED BY: Hisham Odish</p>	<p>DATE: 10/14/02</p>	<p>SIZE A</p>	<p>DWG. NO. SPC4023</p>	<p>ELECTRONIC FILE 84N1107.dwg</p>	<p>REV A</p>
	<p>APPROVED BY: Daniel Carey</p>	<p>DATE: 11/4/02</p>	<p>SCALE: NTS</p>	<p>U.O.M.: Millimeters</p>	<p>SHEET: 1 OF 1</p>	

ALL RIGHTS RESERVED. NO PORTION OF THIS PUBLICATION, WHETHER IN WHOLE OR IN PART CAN BE REPRODUCED WITHOUT THE EXPRESS WRITTEN CONSENT OF SPC TECHNOLOGY. DISCLAIMER: ALL STATEMENTS AND TECHNICAL INFORMATION CONTAINED HEREIN ARE BASED UPON INFORMATION AND/OR TESTS WE BELIEVE TO BE ACCURATE AND RELIABLE. SINCE CONDITIONS OF USE ARE BEYOND OUR CONTROL, THE USER SHALL DETERMINE THE SUITABILITY OF THE PRODUCT FOR THE INTENDED USE AND ASSUME ALL RISK AND LIABILITY WHATSOEVER IN CONNECTION THEREWITH.