

PRODUCT BRIEF:

Logic PD :: Texas Instruments
www.logicpd.com/ti

DM3730 / AM3703 SOM-LV System on Module

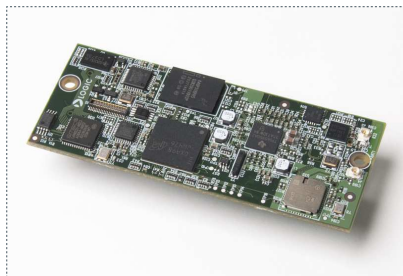
:: SUPPORTED PROCESSORS:
DM3730
AM3703

The Logic PD DM3730 SOM-LV presents a high-performance, full-featured System on Module (SOM) with all the necessary connectivity interfaces necessary for today's market-changing products.

Based on Texas Instruments' DaVinci™ DM3730 digital media processor, the DM3730 SOM-LV boasts PC-like speeds up to 1 GHz and contains on-board Wi-Fi (802.11b/g/n) and Bluetooth 2.1 + EDR technology wireless radios, and a 10/100 Ethernet controller.

The DM3730 SOM-LV is available in several standard configurations, including TI's Sitara™ AM3703 ARM microprocessor. By remaining footprint compatible with Logic PD's existing OMAP35x SOM-LV product line, the DM3730 SOM-LV extends the roadmaps of existing products and provides an upgrade path from today's products to future technologies.

By starting with the corresponding Zoom™ DM3730 Development Kit, engineers can write application software on the same hardware that will be used in the final product.



DM3730 / AM3703 SOM-LV

The DM3730 SOM-LV is ideal for applications in the medical, point-of-sale, industrial, and security markets. From patient monitoring and medical imaging, to card payment terminals and bar code readers, to CCTV cameras and intruder alarms, the DM3730 SOM-LV allows for powerful versatility and long-life products.

DM3730 / AM3703 SOM-LV :: HIGHLIGHTS:

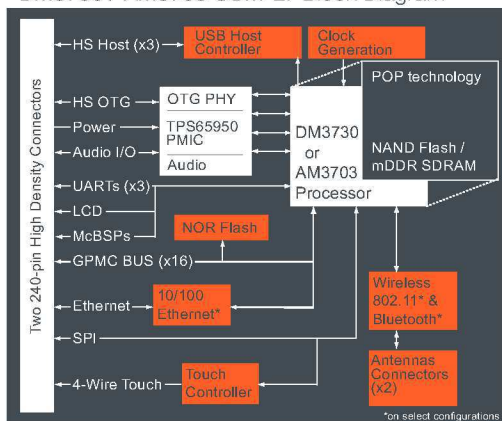
- +Product-ready System on Module with a TI DM3730 or AM3703 ARM® Cortex™-A8 processor running up to 1 GHz
- +802.11b/g/n and Bluetooth 2.1 + EDR radios
- +10/100 Ethernet controller
- +Android, Linux™, and Windows® Embedded CE Board Support Packages (BSPs)
- +Commercial temp (0°C to 70°C)
Extended temp (-20°C to 70°C)
Industrial temp (-40°C to 85°C)
- +Compact form factor—SOM-LV Type III (31.2 x 76.5 x 7.4 mm)
- +Long product lifecycle

ZOOM DEVELOPMENT KIT :: FEATURES:

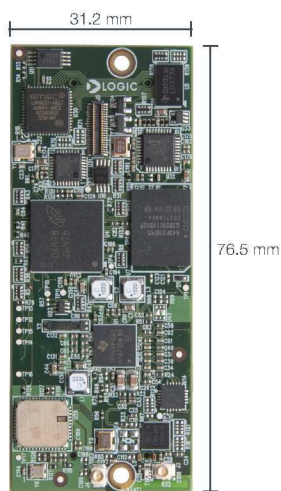
- +Application baseboard
- +DM3730 SOM-LV
- +4.3" WQVGA LCD with 4-wire touchscreen
- +Wattson™ power measurement application
- +Necessary accessories to immediately get up and running
- +See Zoom DM3730 SOM-LV Development Kit product brief for more information



DM3730 / AM3703 SOM-LV Block Diagram



(Block diagram is not drawn to scale. For reference purposes only.)



DM3730 / AM3703 SOM-LV Actual Size

Product Features

Processor

- + TI DaVinci™ DM3730 or Sitara™ AM3703 ARM® Cortex™-A8 core running up to 1 GHz
- + TMS320C64x DSP core running up to 800 MHz (DM3730 only)
- + POWER SGX™ graphics accelerator (DM3730 only)

Memory

- + Mobile DDR / NAND flash (PoP technology) 256 MB / 512 MB
- + NOR flash 8 MB

Display

- + Programmable color LCD controller supports up to a 24 bpp TFT interface
- + Hardware supports XGA 1024x768 at 24-bit color

User interface

- + Integrated 4-wire touchscreen controller
- + 8 x 8 keypad signals

Network Support

- + 10/100 Base-T Ethernet controller
- + 802.11b/g/n wireless Ethernet
- + Bluetooth 2.1 + EDR

Audio

- + I2S compliant audio codec (16-bit stereo DAC, 13-bit ADC)

PC Card Expansion

- + CompactFlash Type I card (memory-mode only)
- + MMC/SD card support

USB

- + Three USB 2.0 high-speed host interface
- + One USB 2.0 high-speed On-the-Go interface

Serial I/O

- + Three external UARTs

GPIO

- + Programmable I/O depending on peripheral requirements
- + General purpose memory controller (GPMC) interface

Debug

- + JTAG & ETM support

Software

- + LogicLoader™ (bootloader/monitor)
- + Android, Linux™, Windows® Embedded CE BSPs

Mechanical

- + 31.2 mm wide x 76.5 mm long x 7.4 mm high

RoHS Compliant

DM3730 / AM3703 SOM-LV Ordering Information

Model Number	Speed (MHz)	mDDR/ NAND Flash (MB)	NOR Flash (MB)	Wired Ethernet	802.11b/g/n Ethernet	Bluetooth	Temp. (°C)
SOMAM3703-10-2780HFCR	1000	256/512	0	Y	N	N	0°-70°
SOMDM3730-10-2782IFCR	1000	256/512	8	Y	Y	Y	0°-70°
SOMDM3730-10-1782IFXR	800	256/512	8	Y	Y	Y	-20°-70°
SOMDM3730-10-1782JFIR	800	256/512	8	Y	N	Y	-40°-85°

NOTE: Custom configurations are available by special order. Please contact Logic PD Sales for details: product.sales@logicpd.com.

Zoom™ DM3730 SOM-LV Development Kit Ordering Information

Model Number	SOM-LV Configuration	Suggested Resale
SDK-DM3730-10-256512R	SOMDM3730-10-2782IFCR	\$997

LOGIC PD WEBSITE :: DESIGN RESOURCES:

- + Logic PD Products : www.logicpd.com/products
- + Logic PD Technical Support : www.logicpd.com/product-support
- + For more information contact Logic PD Sales : product.sales@logicpd.com



411 N. Washington Ave. Suite 400 Minneapolis, MN 55401
T: 612.672.9495 F: 612.672.9489 I: www.logicpd.com

© 2011 Logic PD, Inc. All rights reserved. PN: 1018062 Rev A