

PRODUCT SUMMARY

SKY77174 Power Amplifier Module for WCDMA / HSDPA (1920–1980 MHz)


Applications

- WCDMA Handsets
- HSDPA Handsets
- Personal Communications Services (PCS)
- Wireless local loop (WLL)

Features

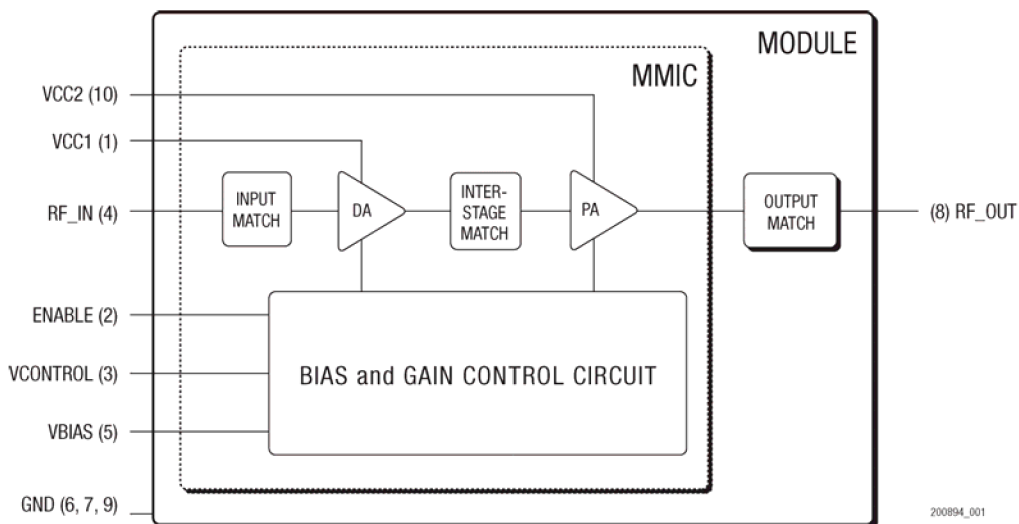
- No V_{REF} required
- Low voltage positive bias - 3.1 V to 4.6 V
- Supports low collector voltage operation
- Good linearity
- High efficiency at all power levels (17.5% at 16 dBm)
- Large dynamic range
- Low Profile package 4 mm x 4 mm x 1.1 mm
- 10-pad configuration
- Power down control
- InGaP
- Digital V_{ENABLE}
- Digital or Analog $V_{CONTROL}$

NEW Skyworks offers lead (Pb)-free, RoHS (Restriction of Hazardous Substances)-compliant packaging.


Description

The SKY77174 Power Amplifier module is a fully matched 10-pad surface mount module developed for Wideband Code Division Multiple Access (WCDMA) applications. This small and efficient power amplifier packs full coverage of the 1920–1980 MHz bandwidth into a single compact package. The SKY77174 meets the stringent spectral linearity requirements of HSDPA (High Speed Downlink Packet Access) data transmission with high power added efficiency for power output of up to 28 dBm. Because of high efficiencies attained throughout the entire power range, the SKY77174 delivers unsurpassed talk-time advantages.

The single Gallium Arsenide (GaAs) Microwave Monolithic Integrated Circuit (MMIC) contains all active circuitry in the module. The MMIC includes on-board bias circuitry, as well as input and interstage matching circuits. The output match is realized off-chip within the module package to optimize efficiency and power performance into a 50 Ω load. This device is manufactured with Skyworks' InGaP GaAs Heterojunction Bipolar Transistor (HBT) process that provides for all positive voltage DC supply operation while maintaining high efficiency and good linearity. Primary bias to the SKY77174 is supplied directly from a three-cell Ni-Cd, a single-cell Li-Ion, or other suitable battery with an output in the 3.1 to 4.6 volt range. No V_{REF} voltage is required. Power down is accomplished by setting the voltage on V_{ENABLE} to zero volts. Digital bias control can be used to optimize efficiency at high and low power or analog bias control can be used to optimize efficiency over the entire power range. No external supply side switch is needed as typical "off" leakage is a few microamperes with full primary voltage supplied from the battery.



Ordering Information

Model Number	Manufacturing Part Number	Product Revision	Package	Operating Temperature
SKY77174	SKY77174		MCM 4 x 4 x 1.1 mm LM-16	-20 °C to 85 °C

Revision History

Revision	Level	Date	Description
A		April 18, 2008	Initial Release

© 2008, Skyworks Solutions, Inc. All Rights Reserved.

Information in this document is provided in connection with Skyworks Solutions, Inc. ("Skyworks") products. These materials are provided by Skyworks as a service to its customers and may be used for informational purposes only. Skyworks assumes no responsibility for errors or omissions in these materials. Skyworks may make changes to its products, specifications and product descriptions at any time, without notice. Skyworks makes no commitment to update the information and shall have no responsibility whatsoever for conflicts, incompatibilities, or other difficulties arising from future changes to its products and product descriptions.

No license, express or implied, by estoppel or otherwise, to any intellectual property rights is granted by this document. Except as may be provided in Skyworks' Terms and Conditions of Sale for such products, Skyworks assumes no liability whatsoever.

THESE MATERIALS ARE PROVIDED "AS IS" WITHOUT WARRANTY OF ANY KIND, EITHER EXPRESS OR IMPLIED, RELATING TO SALE AND/OR USE OF SKYWORKS® PRODUCTS INCLUDING WARRANTIES RELATING TO FITNESS FOR A PARTICULAR PURPOSE, MERCHANTABILITY, PERFORMANCE, QUALITY OR NON-INFRINGEMENT OF ANY PATENT, COPYRIGHT OR OTHER INTELLECTUAL PROPERTY RIGHT. SKYWORKS FURTHER DOES NOT WARRANT THE ACCURACY OR COMPLETENESS OF THE INFORMATION, TEXT, GRAPHICS OR OTHER ITEMS CONTAINED WITHIN THESE MATERIALS. SKYWORKS SHALL NOT BE LIABLE FOR ANY SPECIAL, INDIRECT, INCIDENTAL, OR CONSEQUENTIAL DAMAGES, INCLUDING WITHOUT LIMITATION, LOST REVENUES OR LOST PROFITS THAT MAY RESULT FROM THE USE OF THESE MATERIALS.

Skyworks® products are not intended for use in medical, lifesaving or life-sustaining applications. Skyworks' customers using or selling Skyworks® products for use in such applications do so at their own risk and agree to fully indemnify Skyworks for any damages resulting from such improper use or sale.

The following are trademarks of Skyworks Solutions, Inc.: Skyworks®, the Skyworks symbol, and "Breakthrough Simplicity"®. Product names or services listed in this publication are for identification purposes only, and may be trademarks of third parties. Third-party brands and names are the property of their respective owners.

Additional information, posted at www.skyworksinc.com, is incorporated by reference.