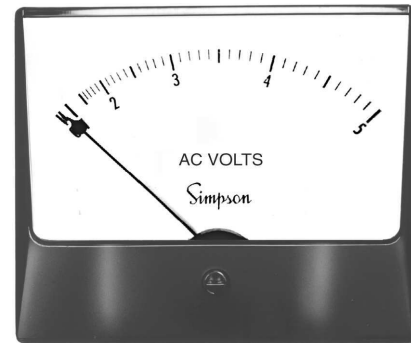


- Wide Angle Visibility
- UL Recognized
- Optional Bezel Kit
- Phenolic Cases with Clear Acrylic Window
- Three Popular Sizes: 2-1/2", 3-1/2" and 4-1/2"

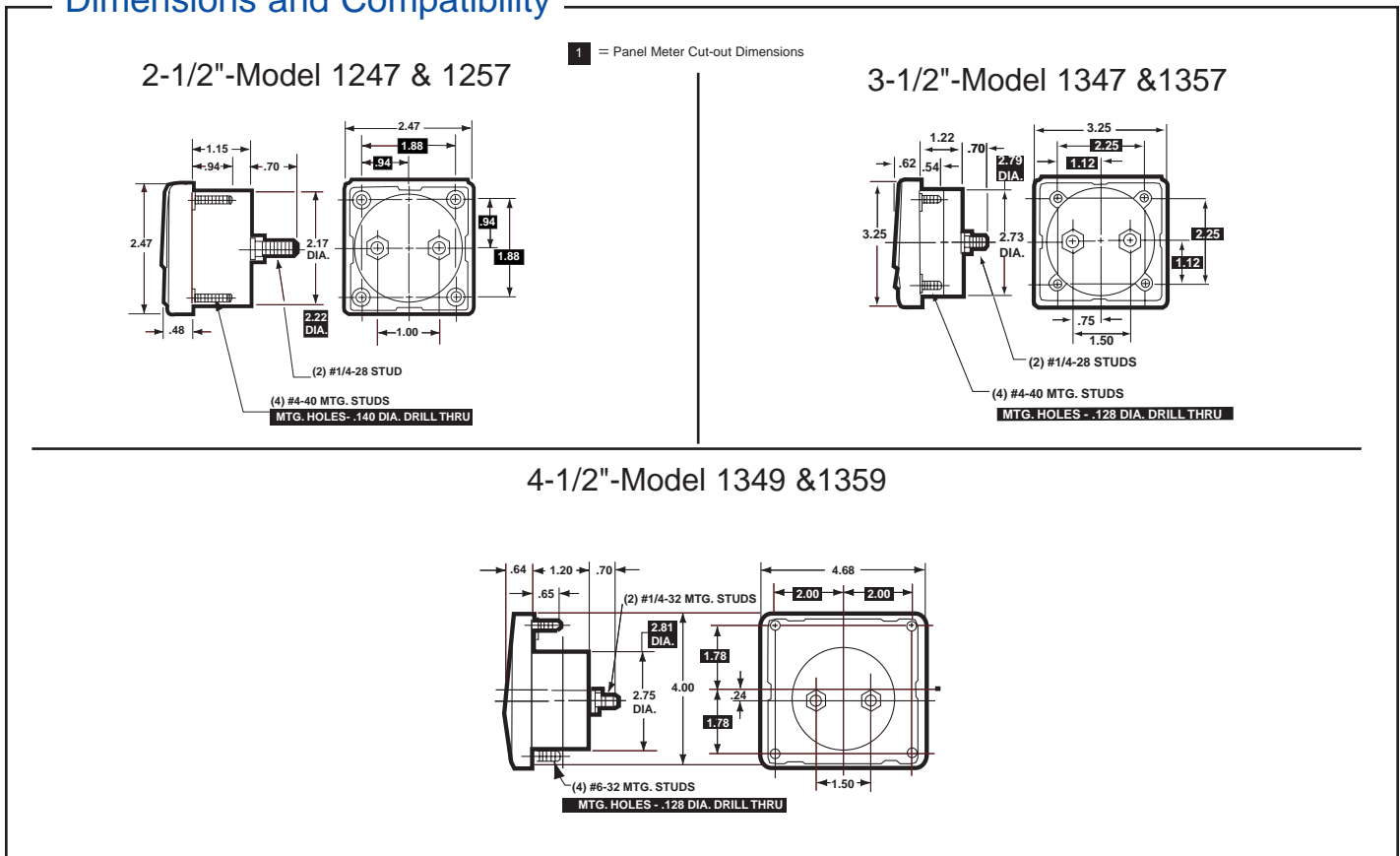


Model Number	Size	Meter Movement
1247/1257	2-1/2"	Rectifier/Iron-Vane
1347/1357	3-1/2"	Rectifier/Iron-Vane
1349/1359	4-1/2"	Rectifier/Iron-Vane

Molded in a black phenolic case, this distinctive style meter with clear acrylic window provides wide angle visibility and can either be surface-mounted or bezel-mounted (semi-flush mount) with one of Simpson's Wide-Vue bezel kits. Available in three standard sizes of 2-1/2", 3-1/2", and 4-1/2", the Wide-Vue is ideal for reliable measurement of AC voltage ranges between 5 and 500 volts. In addition, Simpson offers dual range units in 3-1/2 and 4-1/2" sizes that measure both

0-150 volts and 0-5 amps on one scale. Voltage inputs of 500 volts or higher must be used with the supplied external multiplier. Iron-vane units have $\pm 2\%$ full scale (F.S.) ($\pm 3\%$ F.S. for rectifier) accuracy and meet American National Standards Institute specification ANSI C39.1.

Dimensions and Compatibility



Specifications

Accuracy:	±2% F.S. (iron-vane); ±3% F.S. (rectifier)
Movement:	Models 1247,1347,1349: Annular, rectifier Models 1257, 1357,1359: Iron-vane, magnetically damped
Suspension:	Pivot and jewel
Tracking:	±3% F.S.
Shielding:	Calibration is unaffected by magnetic panel mounting.
Response Time:	1.5 seconds maximum
Overload (1 sec.):	10 times F.S.
Continuous):	1.5 times F.S.
Repeatability:	3%
Dial:	Sharp clear scale. Each dial arc is calibrated to track the specific type of movement used.
Resistance:	+15%

Operating Temperature:	-4°F to +149°F (-20°C to +65°C)
Case:	High density black plastic
Pointer:	Spade pointer, with black matte finish Model 1214 (lance pointer black matte finish)

Scale Length:	Models 1247, 1257: 2.30" (58.4mm) Models 1347, 1357: 3.14" (79.9mm) Models 1349, 1359: 3.93" (100.0mm)
---------------	--

Net Weight:	Models 1257: 4 oz.(0.11kg) & 1347: 8oz (0.23kg) Models 1359: 5 oz.(0.14kg) & 1349: 9oz (0.26kg)
-------------	--

Ordering Information

AC Voltage Meters Rectifier Type, Self Shielding

Range	Approx. Impedance (ohms) @ 60Hz	Model/Size and Catalog Number		
		2-1/2" Model 1247	3-1/2" Model 1347	4-1/2" Model 1349
0-5	2000 ohms per volt	10015	10020	10090
0-10		10016	10030	10100
0-15		<>	10040	10110
0-50		<>	10050	10120
0-150		10017	10060	10130
0-300		10018	10070	10140

AC Voltage Meters Iron Vane Type Movement

Range	Approx. Impedance (ohms) @ 60Hz	Model/Size and Catalog Number		
		2-1/2" Model 1257	3-1/2" Model 1357	4-1/2" Model 1359
0-5	33	<>	10160	10260
0-10	133	09670	10170	10270
0-15	300	09675	10180	10280
0-25	833	09680	10190	10290
0-50	3,333	09690	10200	10300
0-100	16,333	09695	10210	10310
0-150	25,000	09700	10220	10320
0-250	41,166	09705	10230	10330
0-300	50,000	09710	10240	10340
0-500†	83,333	09715	10250	10350

†External multipliers, Model 183, are furnished on AC meters having a range of 500 volts or higher. All others have self-contained multipliers.

AC Dual Range Ammeter/Voltmeter

Range	Approx. Impedance (ohms) @ 60Hz	Model/Size and Catalog Number		
		2-1/2" Model 1257	3-1/2" Model 1357	4-1/2" Model 1359
0-150V and 0-5A	15030 and .021	—	03129	03259

Function Reference Table

For your convenience, the table below lists Wide-Vue models for other electrical monitoring functions with page number reference.

Function	Section	Page
AC Current	E	11
DC Current	E	51
DC Voltage	E	71
Watts	E	105

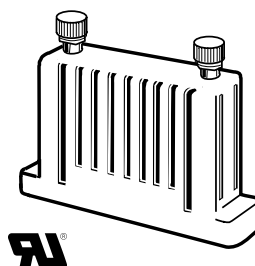
Compatibility Reference Table

Manufacturer	Size/Model		
	2-1/2"	3-1/2"	4-1/2"
Crompton			
Celebrity	223	225	227
Challenge	362	363	364
Clearvu	233	235	237
Hoyt	3126	3136	3146
Modutec			
S Series	2S-	3S-	4S-
PB Series	2PB*	3PB*	4PB
Triplett G Series	230-G	330-G	430-G
Weston 2000 Series	2024	2034	2044
Yokogawa			
Big Look	250-2 OPT.	250-3 OPT.	250-4 OPT. 1
Horizon	251-210	251-310	251-410

*Modutec uses a three-stud mount.

Accessories

Model 183 Multiplier



The Model 183 external multiplier enables an iron-vane type voltage meter to monitor up to 1000 AC volts. An external multiplier is used with a 150 AC voltage meter that is scaled proportionally to your measurement range. Simpson's AC meters having a range of 500 volts or higher are furnished with the Model 183. Simpson's external multipliers are available for immediate delivery from your local distributor. Other intermediate ranges are available on special order.

Ordering Information AC Volts 166 Ohms/Volt

Range	Approx. Impedance (ohms) @ 60 Hz	Volt Drop	Meter Volt Drop	Catalog Number
0-500	58,333	350	150	08562
0-600	75,000	450	150	08563
0-750	100,000	600	150	08564
0-1000	141,666	850	150	08565