

REVISIONS				
REV.	ECO. NO	DESCRIPTION	DATE	BY
A	1830	INITIAL RELEASE	10/30/2008	JH
B	1845	UPDATE TOLERANCE BLOCK	11/6/2008	JH
C	1909	ADD 'V' PLATING, UPDATE NOTES	2/4/2009	JH

PART NUMBER CODING

SFH21-PP_N-D _ _ -ID- _ _

COLOR

BK= BLACK
GY= GREY

NUMBER OF POSITIONS

(CONTACTS PER ROW)

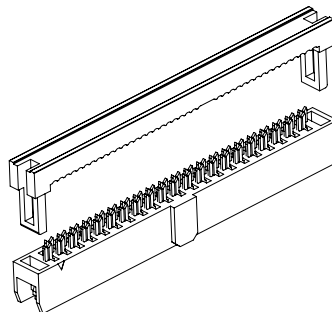
PLATING

P = GOLD FLASH OVERALL
E = .000100" PURE TIN, MATTE, OVERALL
V = GOLD FLASH ON CONTACT SURFACE,
NICKEL ON TERMINATION.

PART NUMBER	POSITIONS/ CONTACTS	A		B	
		INCH	MM	INCH	MM
SFH21-PP_N-D03-ID- _ _	03/06	0.157	4.00	0.443	11.25
SFH21-PP_N-D04-ID- _ _	04/08	0.236	6.00	0.522	13.25
SFH21-PP_N-D05-ID- _ _	05/10	0.315	8.00	0.600	15.25
SFH21-PP_N-D06-ID- _ _	06/12	0.394	10.00	0.679	17.25
SFH21-PP_N-D07-ID- _ _	07/14	0.472	12.00	0.758	19.25
SFH21-PP_N-D08-ID- _ _	08/16	0.551	14.00	0.837	21.25
SFH21-PP_N-D09-ID- _ _	09/18	0.630	16.00	0.915	23.25
SFH21-PP_N-D10-ID- _ _	10/20	0.709	18.00	0.994	25.25
SFH21-PP_N-D11-ID- _ _	11/22	0.787	20.00	1.073	27.25
SFH21-PP_N-D12-ID- _ _	12/24	0.866	22.00	1.152	29.25
SFH21-PP_N-D13-ID- _ _	13/26	0.945	24.00	1.230	31.25
SFH21-PP_N-D15-ID- _ _	15/30	1.102	28.00	1.388	35.25
SFH21-PP_N-D17-ID- _ _	17/34	1.260	32.00	1.545	39.25
SFH21-PP_N-D20-ID- _ _	20/40	1.496	38.00	1.781	45.25
SFH21-PP_N-D22-ID- _ _	22/44	1.654	42.00	1.939	49.25
SFH21-PP_N-D25-ID- _ _	25/50	1.890	48.00	2.175	55.25
SFH21-PP_N-D30-ID- _ _	30/60	2.283	58.00	2.569	65.25
SFH21-PP_N-D34-ID- _ _	34/68	2.598	66.00	2.884	73.25

NOTES:

1. INSULATOR MATERIAL: PBT 30% GLASS FIBER.
2. CONTACT MATERIAL: PHOSPHOR BRONZE.
3. PLATING: SEE PART NUMBER CODING.
4. OPERATING TEMPERATURE: -45°C TO +85°C.
5. UL FLAMMABILITY RATING: 94V-0.
6. CURRENT RATING: 1 AMP PER CONTACT..
7. INSULATION RESISTANCE: 1,000M OHMS MIN.
8. DIELECTRIC WITHSTANDING: 500 VAC
9. MATES WITH SBH21 SERIES
10. FOR FLAT CABLE CONNECTOR.



RoHS COMPLIANT

UNLESS OTHERWISE SPECIFIED:
DIMENSIONS ARE IN INCHES(MM)
TOLERANCES:
ANGULAR: ± .30°
X = ± .008 [.20]
XX = ± .008 [.20]
XXX = ± .008 [.20]
SURFACE FINISH: .63 Ra
REMOVE ALL BURRS AND SHARP EDGES .010 MAX
INTERPRET DIMENSIONS AND GEOMETRIC
TOLERANCING
PER: ANSI Y14.5M-1994

DATE	NAME
10/29/08	JH



DESCRIPTION: HEADER FEMALE, .079[2.00] CC

PART NUMBER: SFH21-PP_N-D _ _ -ID- _ _

SIZE: C DWG. NO. 11154

SCALE: NTS SHEET 1 OF 1