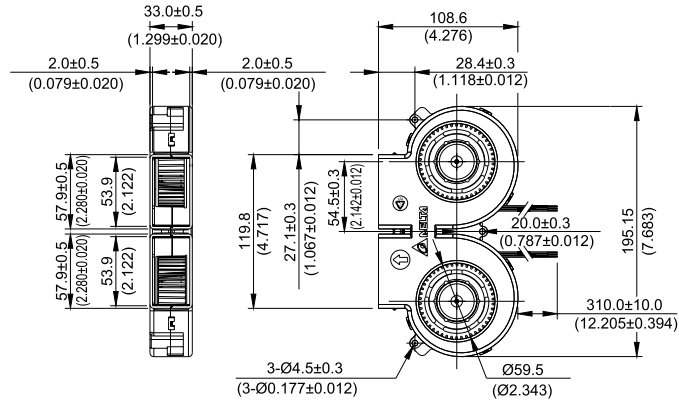


*New*



# SFB 196 x 109 x 33 MM SERIES

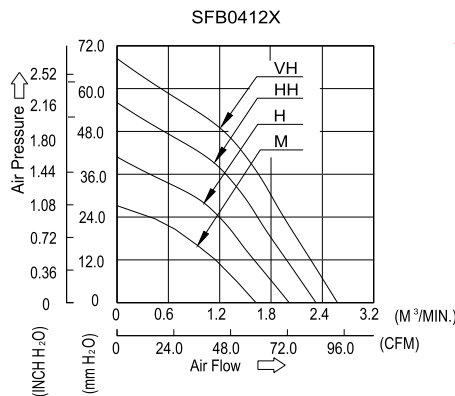
## DIMENSIONS DRAWING



UNIT:  $\frac{\text{mm}}{\text{(INCH)}}$

- \* Bearing Type  
Ball Bearings
- \* Material  
Impeller & Frame : Plastic (UL94V-0)
- \* Lead Wires :  
UL 1007 AWG #24 OR Equivalent  
Red Wire Positive (+)  
Black Wire Negative (-)
- \* Weight : 385g (13.58 oz)

## P & Q CURVE (AT RATED VOLTAGE)



MODEL		Rated Voltage	Operating Voltage Range	Rated Current	Rated Input Power	Speed	Maximum Air Flow		Maximum Air Pressure		Noise
PART NO.	FUNCTION	VDC	VDC	Amp	Watt	R.P.M.	m <sup>3</sup> /min	CFM	mmH <sub>2</sub> O	IN H <sub>2</sub> O	dB-A
SFB0412M	-R00 / -F00	12	7.0 to 13.2	1.40	16.80	3300	1.610	56.85	27.06	0.893	57.5
SFB0412H	-R00 / -F00	12	7.0 to 13.2	2.10	25.20	4000	2.012	71.07	40.85	1.608	61.5
SFB0412HH	-R00 / -F00	12	7.0 to 13.2	3.10	37.20	4600	2.325	82.12	56.08	2.208	64.5
SFB0412VH	-R00 / -F00	12	7.0 to 12.6	4.60	55.20	5300	2.577	90.99	68.43	2.694	67.0

- \* Function type is optional.
- \* The max. air flow and the speed are measured in free air ; max. air pressure is measured at zero air flow.
- \* Noise is measured in anechoic chamber in free air, one meter from intake side.
- \* All readings are typical values at rated voltage.
- \* Specifications are subject to change without notice.