

SENSITRON

SEMICONDUCTOR

SS4954/US thru SS4996/US

TECHNICAL DATA DATA SHEET 5069, REV. A

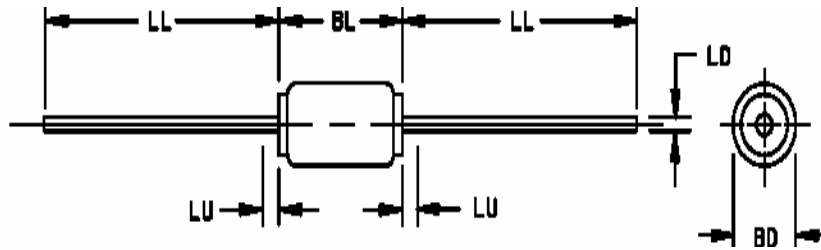
Zener 5W Voltage Regulator

- Hermetic, non-cavity glass package
- Metallurgically bonded
- Operating and Storage Temperature: -65°C to +175°C
- Manufactured and screened to MIL-PRF-19500/356 per Sensitron specification 7700-409x

SERIES TYPE	V _Z NOM	TEST CURRENT I _Z	MAX ZENER IMPEDANCE		VOLTAGE REGULATION V _Z	SURGE CURRENT I _{ZSM}	MAX REVERSE LEAKAGE CURRENT VOLTAGE		TEMP. COEFF αV _Z	MAX CONTINUOUS CURRENT I _{ZM}
			Z _Z	Z _{ZK}			V _R	I _{R1}		
5W	V	mA	Ω	Ω	V	A	V	μA	%/°C	mA
1N4954/US	6.8	175	1	1,000	.7	29.3	5.2	150	.05	700
1N4955/US	7.5	175	1.5	800	.7	26.4	5.7	100	.06	630
1N4956/US	8.2	150	1.5	600	.7	24	6.2	50	.06	580
1N4957/US	9.1	150	2	400	.7	22	6.9	25	.06	520
1N4958/US	10	125	2	125	.8	20	7.6	25	.07	475
1N4959/US	11	125	2.5	130	.8	19	8.4	10	.07	430
1N4960/US	12	100	2.5	140	.8	18	9.1	10	.07	395
1N4961/US	13	100	3	145	.9	16	9.9	10	.08	365
1N4962/US	15	75	3.5	150	1.0	12	11.4	5	.08	315
1N4963/US	16	75	3.5	155	1.1	10	12.2	5	.08	294
1N4964/US	18	65	4	160	1.2	9.0	13.7	5	.085	264
1N4965/US	20	65	4.5	165	1.5	8.0	15.2	2	.085	237
1N4966/US	22	50	5	170	1.8	7.0	16.7	2	.085	216
1N4967/US	24	50	5	175	2.0	6.5	18.2	2	.09	198
1N4968/US	27	50	6	180	2.0	6.0	20.6	2	.09	176
1N4969/US	30	40	8	190	2.5	5.5	22.8	2	.09	158
1N4970/US	33	40	10	200	2.8	5.0	25.1	2	.095	144
1N4971/US	36	30	11	220	3.0	4.5	27.4	2	.095	132
1N4972/US	39	30	14	230	3.0	4.0	29.7	2	.095	122
1N4973/US	43	30	20	240	3.3	3.5	32.7	2	.095	110
1N4974/US	47	25	25	250	3.5	3.2	35.8	2	.095	100
1N4975/US	51	25	27	270	4.0	3.0	38.8	2	.095	92
1N4976/US	56	20	35	320	4.4	2.8	42.6	2	.095	84
1N4977/US	62	20	42	400	5.0	2.5	47.1	2	.100	76
1N4978/US	68	20	50	500	5.5	2.2	51.7	2	.100	70
1N4979/US	75	20	55	620	6.0	2.0	56	2	.100	63
1N4980/US	82	15	80	720	6.6	1.8	62.2	2	.100	58.0
1N4981/US	91	15	90	760	7.5	1.6	69.2	2	.100	52.5
1N4982/US	100	12	110	800	8.0	1.4	76.0	2	.100	47.5
1N4983/US	110	12	125	1,000	9.0	1.2	83.6	2	.100	43.0
1N4984/US	120	10	170	1,150	10	1.0	91.2	2	.100	39.5
1N4985/US	130	10	190	1,250	11	.8	98.8	2	.105	36.6
1N4986/US	150	8	330	1,500	13	.75	114.0	2	.105	31.6
1N4987/US	160	8	350	1,650	14	.70	121.6	2	.105	29.4
1N4988/US	180	5	450	1,750	16	.60	136.8	2	.110	26.4
1N4989/US	200	5	500	1,850	18	.50	152.0	2	.110	23.6
1N4990/US	220	5	550	2,000	19	.50	167	2	.115	21.6
1N4991/US	240	5	650	2,050	22	.40	182	2	.115	19.8
1N4992/US	270	5	800	2,100	25	.35	206	2	.120	17.5
1N4993/US	300	4	950	2,150	28	.30	228	2	.120	15.6
1N4994/US	330	4	1175	2,200	32	.25	251	2	.120	14.4
1N4995/US	360	3	1400	2,300	35	.22	274	2	.120	13
1N4996/US	390	3	1800	2,500	40	.20	297	2	.120	12

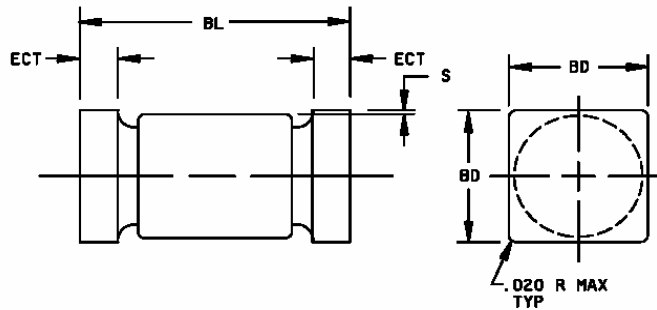
TECHNICAL DATA
DATA SHEET 5069, REV. A

MECHANICAL DIMENSIONS
Zener 5W Package, AXIAL Version
In Inches / mm



Dimensions					
Ltr	Inches		Millimeters		Notes
	Min	Max			
BL	.130	.300	3.30	4.95	
BD	.090	.145	2.92	4.70	
LL	1.00	1.300	25.40	33.02	
LU		.050		1.27	4
LD	.037	.043	0.94	1.89	3

MECHANICAL DIMENSIONS
Zener 5W Package, MELF (/US version)
In Inches / mm



Dimensions					
Ltr	Inches		Millimeters		
	Min	Max	Min	Max	
BL	.200	.225	5.08	5.72	
ECT	.019	.028	0.48	0.71	
S	.003	---	0.08	---	
BD	.137	.148	3.48	3.76	

TECHNICAL DATA
DATA SHEET 5069, REV. A

DISCLAIMER:

- 1- *The information given herein, including the specifications and dimensions, is subject to change without prior notice to improve product characteristics. Before ordering, purchasers are advised to contact the Sensitron Semiconductor sales department for the latest version of the datasheet(s).*
- 2- *In cases where extremely high reliability is required (such as use in nuclear power control, aerospace and aviation, traffic equipment, medical equipment, and safety equipment), safety should be ensured by using semiconductor devices that feature assured safety or by means of users' fail-safe precautions or other arrangement.*
- 3- *In no event shall Sensitron Semiconductor be liable for any damages that may result from an accident or any other cause during operation of the user's units according to the datasheet(s). Sensitron Semiconductor assumes no responsibility for any intellectual property claims or any other problems that may result from applications of information, products or circuits described in the datasheets.*
- 4- *In no event shall Sensitron Semiconductor be liable for any failure in a semiconductor device or any secondary damage resulting from use at a value exceeding the absolute maximum rating.*
- 5- *No license is granted by the datasheet(s) under any patents or other rights of any third party or Sensitron Semiconductor.*
- 6- *The datasheet(s) may not be reproduced or duplicated, in any form, in whole or part, without the expressed written permission of Sensitron Semiconductor.*
- 7- *The products (technologies) described in the datasheet(s) are not to be provided to any party whose purpose in their application will hinder maintenance of international peace and safety nor are they to be applied to that purpose by their direct purchasers or any third party. When exporting these products (technologies), the necessary procedures are to be taken in accordance with related laws and regulations.*