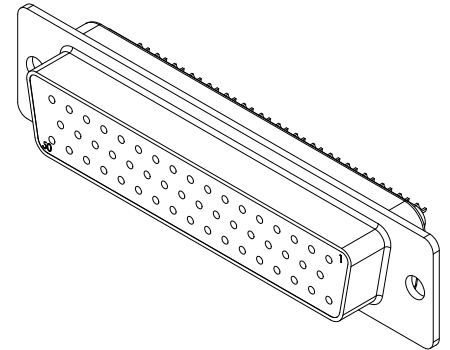
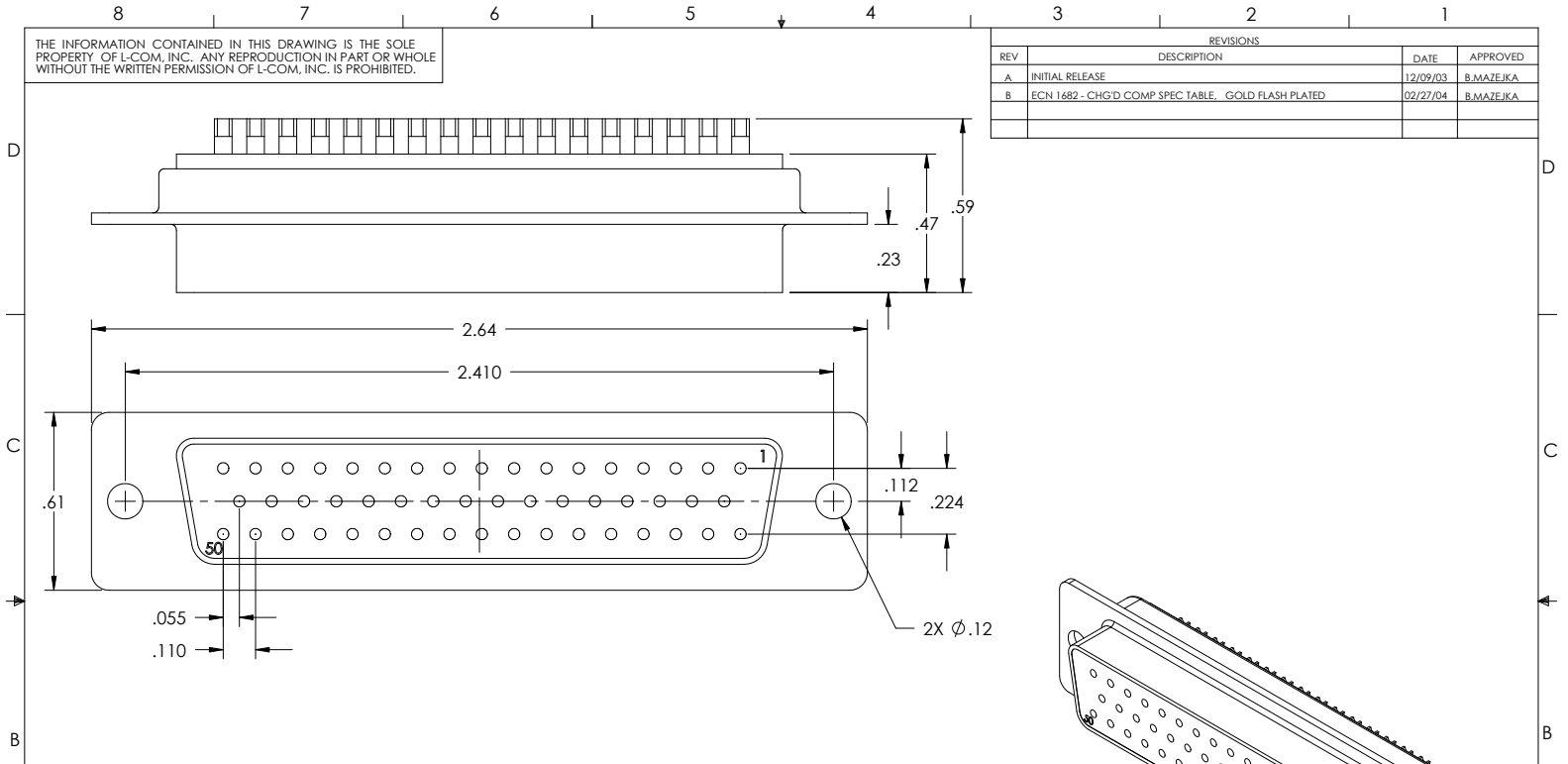


THE INFORMATION CONTAINED IN THIS DRAWING IS THE SOLE PROPERTY OF L-COM, INC. ANY REPRODUCTION IN PART OR WHOLE WITHOUT THE WRITTEN PERMISSION OF L-COM, INC. IS PROHIBITED.

| REVISIONS |   |          |           |
|-----------|---|----------|-----------|
| REV       | DESCRIPTION   | DATE     | APPROVED  |
| A         | INITIAL RELEASE                                     | 12/09/03 | B.MAZEJKA |
| B         | ECN 1682 - CHG'D COMP SPEC TABLE, GOLD FLASH PLATED | 02/27/04 | B.MAZEJKA |



| Component Specifications        |  |
|---------------------------------|--|
| <b>Material</b>                 |  |
| Shell                           | Cold Rolled Steel                          |
| Contacts                        | Copper Alloy                               |
| Insulator                       | PBT w/ Glass Fiber Filled (UL 94V-0 Rated) |
| <b>Finish</b>                   |  |
| Shell                           | Tin Plated                                 |
| Mating Contacts                 | Gold Flash Plated                          |
| Solder Cups                     | Tin-Lead Plated                            |
| <b>Electrical</b>               |  |
| Current Rating                  | 5 AMP                                      |
| Dielectric Withstanding Voltage | 1000 VAC rms                               |
| Insulation Resistance           | 5000 MΩ @ 500 VDC                          |
| Contact Resistance              | 10mΩ MAX                                   |
| <b>Environmental</b>            |  |
| Operational Temperature Range   | -55°C to +105°C                            |

CS-103

UNLESS OTHERWISE SPECIFIED, DIMENSIONS ARE IN INCHES. TOLERANCES ARE:  
 .XX ±.01  
 .XXX ±.005  
 CABLE LENGTH TOLERANCE  
 <300' ±5% >300' ±2%

| APPROVALS                 | DATE       |
|---------------------------|------------|
| DRAWN BY<br>B.MAZEJKA     | 11/10/2003 |
| CHECKED BY<br>C.McCORMICK | 12/08/2003 |
| APPROVED BY<br>D.PARHAM   | 12/08/2003 |

**L-com** 45 BEECHWOOD DRIVE  
 NORTH ANDOVER, MA 01845  
 CONNECTIVITY PRODUCTS

PRODUCT DESCRIPTION  
**DB50P SOLDER CUP CONNECTOR**

DRAWING TITLE  
**OUTLINE DRAWING**

CONFIGURATION DETAILS OF UNDIMENSIONED FEATURES MAY VARY

|                  |                          |                              |                 |
|------------------|--------------------------|------------------------------|-----------------|
| SIZE<br><b>A</b> | FSCM NO.<br><b>43321</b> | DWG. NO.<br><b>SD50S-OD1</b> | REV<br><b>B</b> |
| SCALE: 2:1       |                          | CAD FILE: SD50S-OD1.SLDDRW   | SHEET 1 OF 1    |