

## Power Supply Cord with Shako Power (Mains) Plug, Straight



CEE 7 / VII

CEE 7 / VII / DIN  
49441-R2**Description**

Power Supply Cord, Protection class I, Pin temperature 70 °C, Cable

**Approvals**

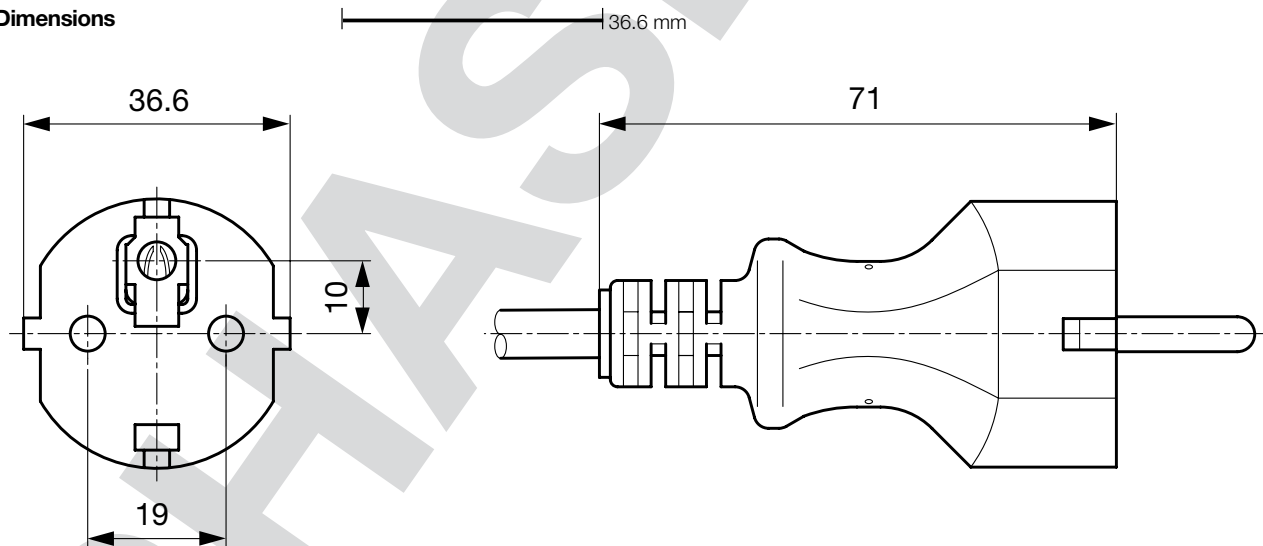
- VDE Certificate Number: 40015128

**Weblinks**

[pdf](#), [html](#), [General Product Information](#), [Approvals](#), [RoHS](#), [CHINA-RoHS](#), [Mating Connectors](#), [e-Shop](#), [SCHURTER-Stock-Check](#), [Distributor-Stock-Check](#), [Accessories](#), [Detailed request for product](#)

**Technical Data**

Ratings IEC	16 A / 250 VAC; 50 Hz
Ratings UL/CSA	16 A / 250 VAC; 60 Hz
Dielectric Strength	> 2 kVDC between L-N > 2 kVAC between L/N-PE (1 min/50 Hz)
Allowable Operation Temp.	-25 °C to 70 °C
Degree of Protection	from front side IP 20 acc. to IEC 60529
Protection Class	Suitable for appliances with protection class 1 acc. to IEC 61140
Terminal	moulded
Material: Housing	PVC, black or grey

**Dimensions**

## Config. Code

4370 - R - Type - D - Length

The characters are placeholders for the correspondingly keys of selections from the key tables.  
Typ steht für die Dose bzw. 2. Seite, Länge ist die Leitungslänge in mm.

4370 - **R** - Type - D - Length = cord type

cord type	Configuration key
H03W-F 3G0,75mm2	C
H05W-F 3G0,75mm2	G
H05RR-F 3G0,75mm2	H
H05VV-F 3G1,0mm2	I

Cord definition is detailed in general product information XXX

4370 - R - Type - D - **Length** = Cord length

**Cord length**  
zzzz, 000500, 001000, 001500, 002000, 002500, 003000, 005000

4370 - R - **Type** - D - Length = Cord end 2

**Cord end 2**  
zzzz, 1654, 2512, 2530, 3011, 3012, 3013, 302U, 3020, 3027, 3030, 311L, 312L

Cord length in mm

4370 - R - Type - **D** - Length = Color

Color	Configuration key
Black	A
Grey	B
Grey	C

**Packaging unit** 100 Pcs