

Power Cord with IEC Connector C7, Straight 70°C



C7

 70°C

**Description**

Power Supply Cord / Interconnection Cord, Protection class II, Pin temperature 70 °C, Cable

Approvals

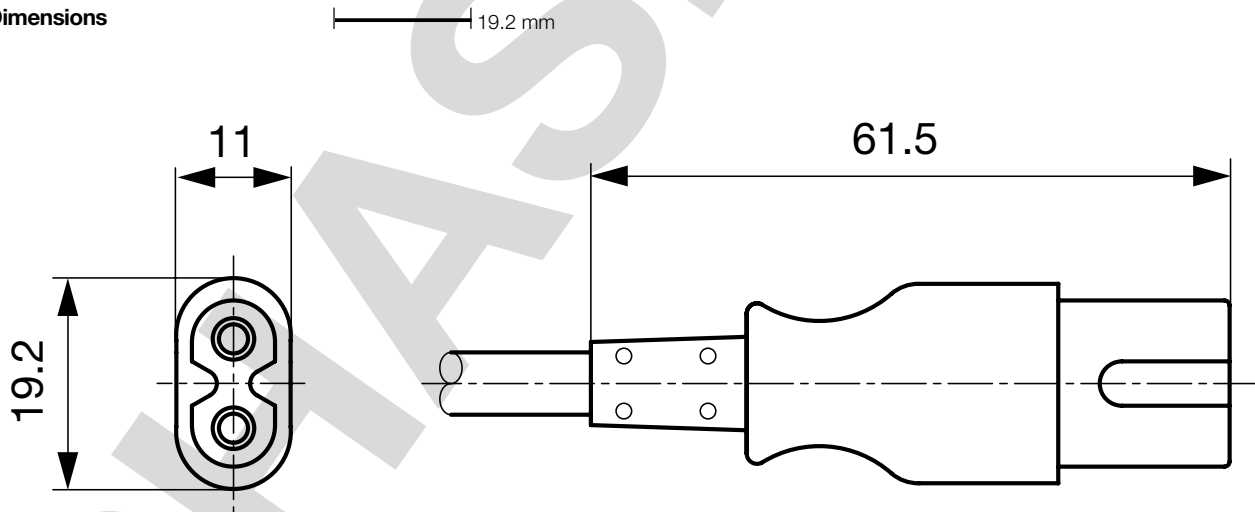
- VDE Certificate Number: 40005800
- CSA File Number: 1020530

Weblinks

[pdf](#), [html](#), [General Product Information](#), [Approvals](#), [RoHS](#), [CHINA-RoHS](#), [Mating Connectors](#), [e-Shop](#), [SCHURTER-Stock-Check](#), [Distributor-Stock-Check](#), [Accessories](#), [Detailed request for product](#)

Technical Data

Ratings IEC	2.5A / 250VAC; 50Hz	Connector	C7 acc. to IEC/EN 60320-1
Ratings UL/CSA	2.5A / 250VAC; 60Hz		UL 498, CSA C22.2 no. 42 (for cold conditions) pin-temperature 70 °C, 2.5A, Protection Class 2
Dielectric Strength	> 3kVDC between L-N > 1.5kVAC between L/N-PE (1 min/50Hz)		
Allowable Operation Temp.	-25 °C to 70 °C		
Degree of Protection	from front side IP 20 acc. to IEC 60529		
Protection Class	Suitable for appliances with protection class 2 acc. to IEC 61140		
Terminal	moulded		
Material: Housing	PVC, black or grey		

Dimensions

Config. Code

Type - R - 2510 - D - Length

The characters are placeholders for the correspondingly keys of selections from the key tables. Typ is placed for the connector type on the second end, length is the cord length in mm.

Type - R - 2510 - D - Length = Cord end 2

Cord end 2

zzzz, 2225, 2228, 2711, 2712, 2730, 2731, 4121, 607B, 608B, 609B

Type - R - 2510 - D - Length = cord type

cord type	Configuration key
H03W-F 2x0,75mm2	A
H03VH2-F 2x0,75mm2	B
H05W-F 2x0,75mm2	D
H05VH2-F 2x0,75mm2	E
SVT 2x18AWG	M
special cord	Z

Cord definition is detailed in general product information XXX

Type - R - 2510 - D - Length = Color

Color	Configuration key
Black	A
Grey	B

Type - R - 2510 - D - Length = Cord length

Cord length

zzzz, 000500, 001000, 001500, 002000, 002500, 003000, 005000

Cord length in mm

Mating Inlets/Plugs

Category / Description

Appliance Inlet Overview complete



IEC Appliance Inlet C8, Screw-on Mounting, Rear Side, PCB-/Solder Terminal	0720-FP
IEC Appliance Inlet C8, Screw-on Mounting, Rear Side, Solder Terminal	0720-FS
IEC Appliance Inlet C8, Snap-in Mounting, Front Side, Solder Terminal	0721-PP
IEC Appliance Inlet C8, Snap-in Mounting, Front Side, Solder Terminal	0721-PS
IEC Appliance Inlet C8, insert Mounting, Solder, PCB or Quick-connect Terminal	2572
Appliance Inlet further types to2510	...

Interconnection Cord Overview complete



Interconnection Cord with IEC Plug C, Angled 70°C	2711
Interconnection Cord with IEC Plug C, Angled	2712
Interconnection Cord with IEC Plug C, Straight	2730
Interconnection Cord with IEC Plug C, Straight	2731
Interconnection Cord further types to2510	

Power Entry Module Overview complete



IEC Appliance Inlet C8 with Line Switch 1-pole	CMF1, CMF4
Power Entry Module further types to2510	

Category / Description



Power Entry Module with line filter Overview complete

IEC Appliance Inlet C8 with Filter, Front Side Mounting

5008

Power Entry Module with line filter further types to2510

PHASE-OUT