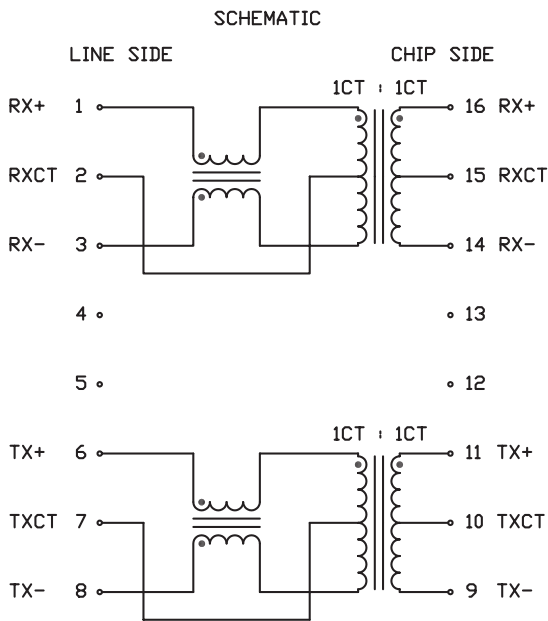


10/100BASE-T LAN MAGNETICS

S558-5999-T7-F Single Port Transformer Module



ELECTRICAL CHARACTERISTICS @25°C

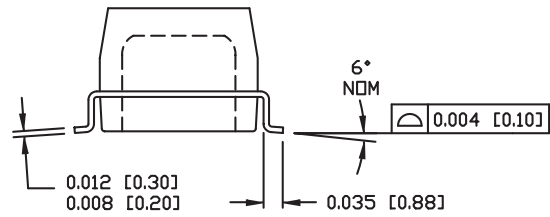
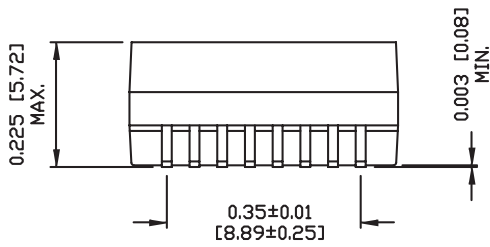
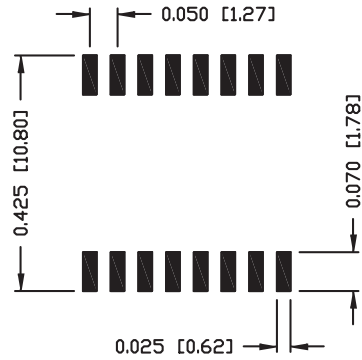
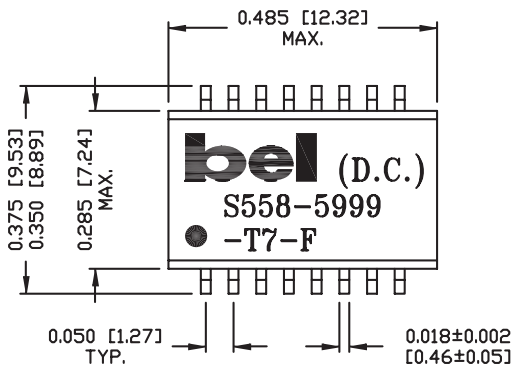


<p> URNS RATIO PIN 1-2-3 : 16-15-14 PIN 6-7-8 : 11-10-9 </p>	<p> 1CT : 1CT 1CT : 1CT </p>
<p> DCL @ 100kHz/100mVrms W/8mA DC BIAS PIN 16-14 11-9 </p>	<p> 350μH MIN. </p>
<p> LEAKAGE INDUCTANCE (Le) @ 1MHz, 20mV PIN 16-14 SHORT 1-3 PIN 11-9 SHORT 6-8 </p>	<p> 300nH MAX. </p>
<p> INTERWINDING CAPACITANCE (Cw/w) @ 1MHz, 20mV PIN 1-3 TO 16-14 PIN 6-8 TO 11-9 </p>	<p> 30pF MAX. </p>
<p> INSERTION LOSS 100kHz-100MHz </p>	<p> 1.0dB MAX. </p>
<p> RETURN LOSS @ 1MHz-30MHz @ 30-60MHz @ 60-80MHz </p>	<p> 18dB MIN. 18-20 LOG (F/30MHz) MIN. 12dB MIN. </p>
<p> CROSSTALK @ 100kHz-100MHz </p>	<p> 35dB MIN. </p>
<p> CM TO CM MODE REJ. @ 100kHz-100MHz </p>	<p> 30dB MIN. </p>
<p> CM TO DM MODE REJ. @ 100kHz-100MHz </p>	<p> 40dB MIN. </p>
<p> HIPOT </p>	<p> PER HAND-WORK-03 </p>

10/100BASE-T LAN MAGNETICS
S558-5999-T7-F Single Port Transformer Module



SUGGESTED PCB PAD LAYOUT



NOTES:

1. STANDARD MARKING REFER TO DOC. HAND-WORK-04.
2. PACKAGE CODE: *QBS001*.