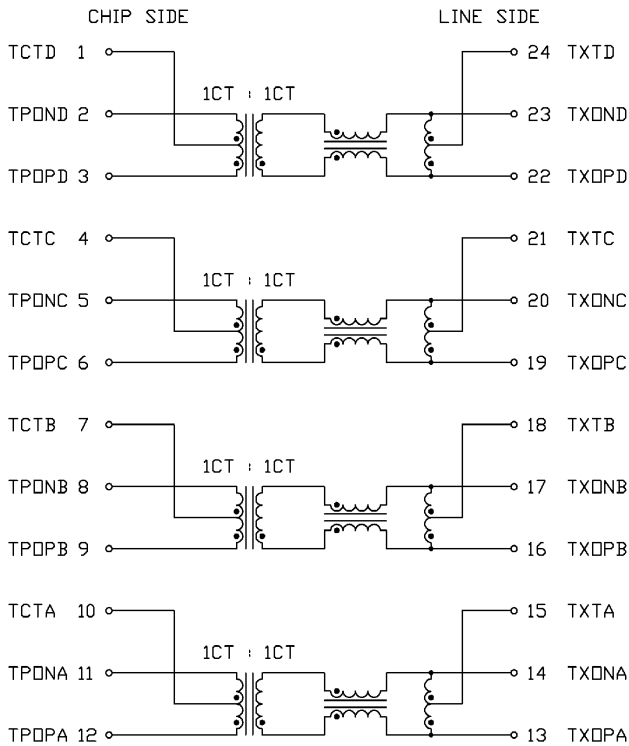


THE INFORMATION CONTAINED HEREIN IS CONSIDERED "PROPRIETARY" TO BEL FUSE INC. AND SHALL NOT BE COPIED, REPRODUCED OR DISCLOSED WITHOUT THE WRITTEN APPROVAL OF BEL FUSE INC.



SCHEMATIC



ELECTRICAL CHARACTERISTICS @25°C

URNS RATIO	
(3-1-2) : (22-24-23)	1CT : 1CT
(6-4-5) : (19-21-20)	1CT : 1CT
(9-7-8) : (16-18-17)	1CT : 1CT
(12-10-11) : (13-15-14)	1CT : 1CT
PHASE	PER DOT CONVENTION
QCL	350μH MIN.
PIN (23-22), (20-19)	@100kHz, 100mV
PIN (17-16), (14-13)	WITH 8mA DC BIAS
INSERTION LOSS	1.1dB MAX. @0.1 TO 1MHz
	1.0dB MAX. @1 TO 80MHz
	2.0dB MAX. @125MHz
RETURN LOSS	18dB MIN. @0.5 TO 40MHz
UNDER 100 OHM ±15% ENVIRONMENT	12-20LOG (F/80MHz) MIN.
	@40 TO 100 MHz
COMMON TO COMMON REJECTION	30dB MIN. @1 TO 100 MHz
CROSSTALK	33-20LOG (F/100MHz) dB MIN.
	@ 1 TO 100 MHz
HIPDT	PER HAND-WORK-03

ORIGINATED BY	DATE	TITLE	PART NO. / DRAWING NO.	STANDARD DIM.	[] METRIC DIM. AS REFERENCE	 COMPONENTS CONNECTED PLANET	
CHAN CH	08-15-07	ELECTRICAL SPECIFICATION	X5585999T3-F	TOL. IN INCH	UNIT : INCH [mm]		REV. : A
DRAWN BY	DATE		FILE NAME	.X	SCALE : N/A		SIZE : A4
DQ Chen	08-15-07	S558-5999-T3-F	X5585999T3FA.DWG	.XX			PAGE : 2
				.XXX			

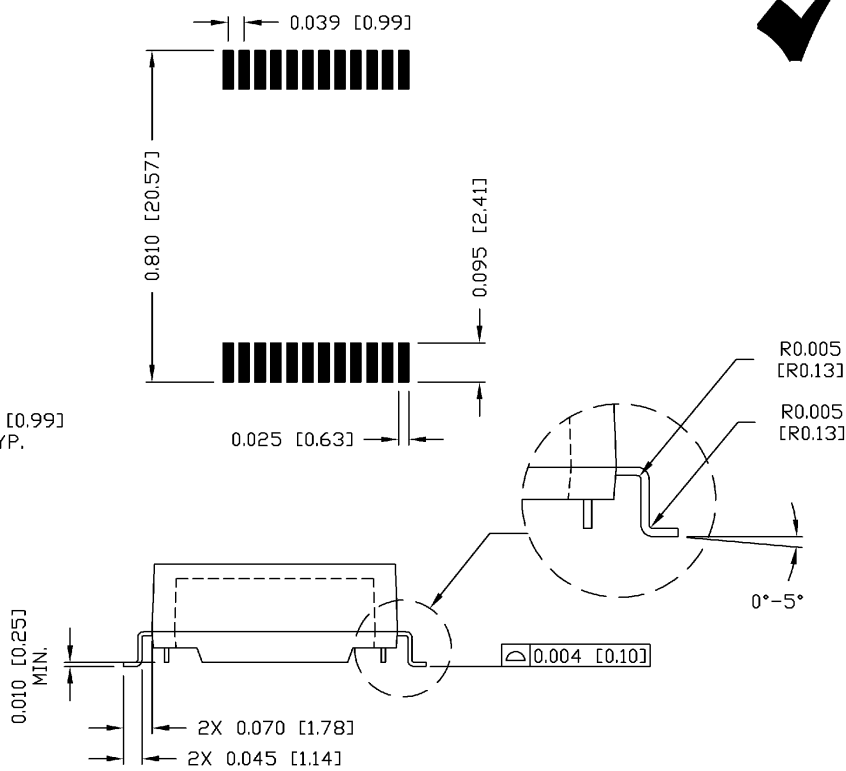
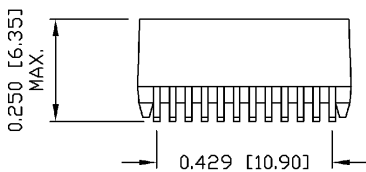
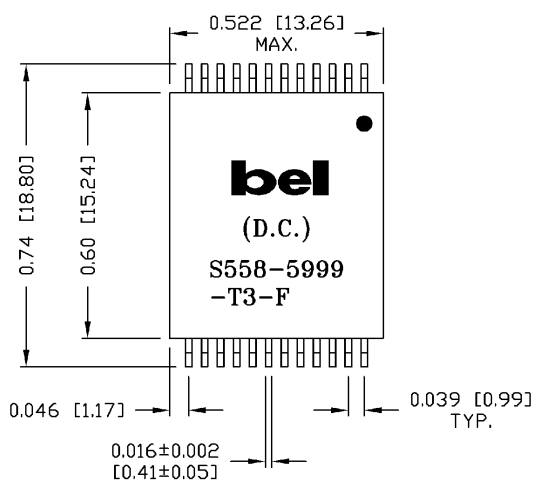
DC002/21032305

This document is electronically generated. This is a controlled copy if used internally

THE INFORMATION CONTAINED HEREIN IS CONSIDERED 'PROPRIETARY' TO BEL FUSE INC. AND SHALL NOT BE COPIED, REPRODUCED OR DISCLOSED WITHOUT THE WRITTEN APPROVAL OF BEL FUSE INC.

SUGGESTED PCB PAD LAYOUT

RoHS
2002/95/EC



NOTES:

- STANDARD MARKING REFER TO DDC. HAND-WORK-04.
- PACKAGE CODE: *QTS001*.

ORIGINATED BY	DATE	TITLE	PART NO. / DRAWING NO.	STANDARD DIM. TOL. IN INCH	[] METRIC DIM. AS REFERENCE		 COMPONENTS CONNECTED PLANET
Lawrence	08-15-07	MECHANICAL DRAWING S558-5999-T3-F	X5585999T3-F	.X	UNIT : INCH [mm]	REV. : A	
DRAWN BY	DATE		FILE NAME	.XX ±0.01	SCALE : N/A	SIZE : A4	
DQ Chen	08-15-07	X5585999T3FA.DWG	.XXX ±0.005		PAGE : 3		

DC002(2)032305

This document is electronically generated. This is a controlled copy if used internally