



- Features :
  - AC input range selectable by switch
  - Protections: Short circuit / Overload / Over voltage / Over temperature
  - Forced air cooling by built-in DC fan
  - Cooling Fan ON-OFF auto control
  - 100% full load burn-in test
  - Fixed switching frequency at 90KHz
  - 2 years warranty

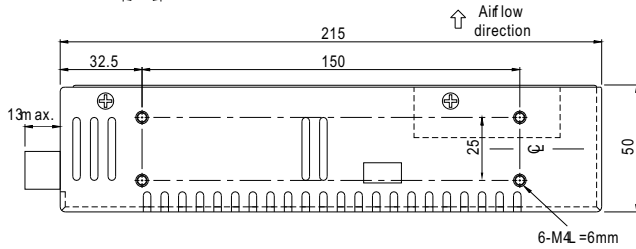
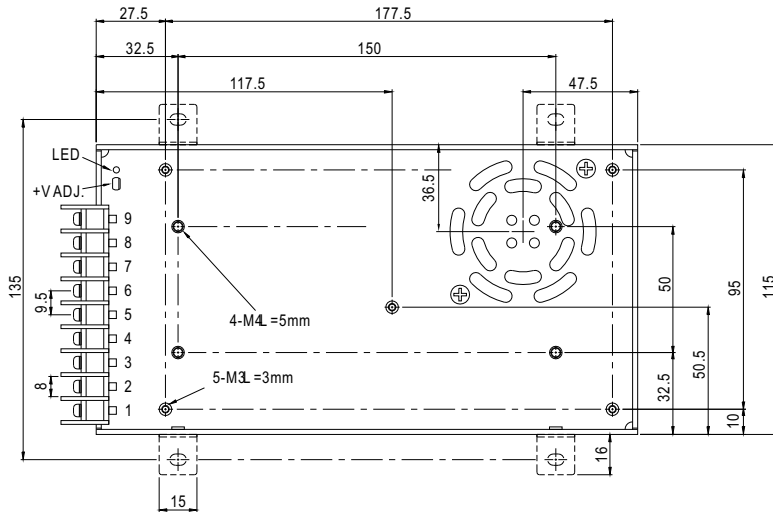


**SPECIFICATION**

MODEL	S-320-5	S-320-7.5	S-320-12	S-320-13.5	S-320-15	S-320-24	S-320-27	S-320-48		
OUTPUT	DCVOLTAGE	5V	7.5V	12V	13.5V	15V	24V	27V	48V	
	RATEDCURRENT	50A	36A	25A	22A	20A	12.5A	11A	6.5A	
	CURRENTRANGE	0.5-0A	0.3-6A	0.2-5A	0.2-2A	0.2-0A	0.1-2.5A	0.1-1A	0.06-.5A	
	RATEDPOWER	250W	270W	300W	297W	300W	300W	297W	312W	
	RIPPLE&NOISE(max.) Note.2	150mVp-p	150mVp-p	150mVp-p	150mVp-p	150mVp-p	150mVp-p	200mVp-p	240mVp-p	
	VOLTAGEADJRANGE	4.55-7V	6.9V	10.1-3.2V	12.1-5V	13.5-18V	20.2-6.4V	26.3-2V	41.5-6V	
	VOLTAGE TOLERANCE Note.3	2.0%	2.0%	1.0%	1.0%	1.0%	1.0%	1.0%	1.0%	
	LINE REGULATION	0.5%	0.5%	0.5%	0.5%	0.5%	0.5%	0.5%	0.5%	
	LOAD REGULATION	1.0%	1.0%	0.5%	0.5%	0.5%	0.5%	0.5%	0.5%	
SETUP RISE TIME	2000ms/20ms at full load									
HOLD UP TIME (Typ.)	24ms at full load									
INPUT	VOLTAGE RANGE	88-132VAC/176-264VAC by switch 48-370VDC								
	FREQUENCY RANGE	47-63Hz								
	EFFICIENCY(Typ.)	77%	80%	82%	83%	84%	86%	86%	87%	
	AC CURRENT (Typ.)	6A/115VAC .5A/230VAC								
	INRUSH CURRENT (Typ.)	18A/115VAC 6A/230VAC								
	LEAKAGE CURRENT	<3.5mA @ 40VAC								
PROTECTION	OVERLOAD	105-135% rated output power Protection type: Hiccup or recovers automatically after fault condition is removed								
	OVERVOLTAGE	5.75-6.75V	9.4-10.9V	13.8-16.2V	15.5-18.2V	18-21V	27.6-32.4V	33.7-39.2V	57.6-67.2V	
	FAN CONTROL O.T.P.	RTH1 ≥ 65°C FAN ON, ≤ 55°C FAN OFF, ≥ 70°C (5-15V) RTH1 ≥ 70°C FAN ON, ≤ 65°C FAN OFF, ≥ 80°C (24-48V) Protection type: Hiccup or recovers automatically after fault condition is removed								
ENVIRONMENT	WORKING TEMP.	-10+ 60 °C (Refer to output load derating curve)								
	WORKING HUMIDITY	20-90%RH non-condensing								
	STORAGE TEMP. HUMIDITY	-20+ 85 °C / 0-95%RH								
	TEMP COEFFICIENT	0.03%/°C (0-50°C)								
VIBRATION	10-500Hz 2G 0min./1cycle period of 0min. each along X, Y & Z axes									
SAFETY & EMC	SAFETY STANDARDS	UL60950-1a approved								
	WITHSTAND VOLTAGE	I/P-O/P:3KVAC /P-FG:1.5KVAC /P-FG:0.5KVAC								
	ISOLATION RESISTANCE	I/P-O/P /P-FG/O/P-FG:100MΩms/500VDC								
OTHERS	MTBF	188.7khrsmth. IL-HDBK-217R(25 °C)								
	DIMENSION	215*115*50mm(L*W*H)								
	PACKING	1.08Kg/12pcs/13.8Kg/0.92CUFT								
NOTE	1. All parameters NOT specially mentioned are measured at 230VAC input, rated load and 25°C of ambient temperature. 2. Ripple & noise are measured at 20MHz of bandwidth by using a 12" twisted pair-wire terminated with a 0.1uf & 47uf parallel capacitor. 3. Tolerance : includes set up tolerance, line regulation and load regulation.									

**Mechanical Specification**

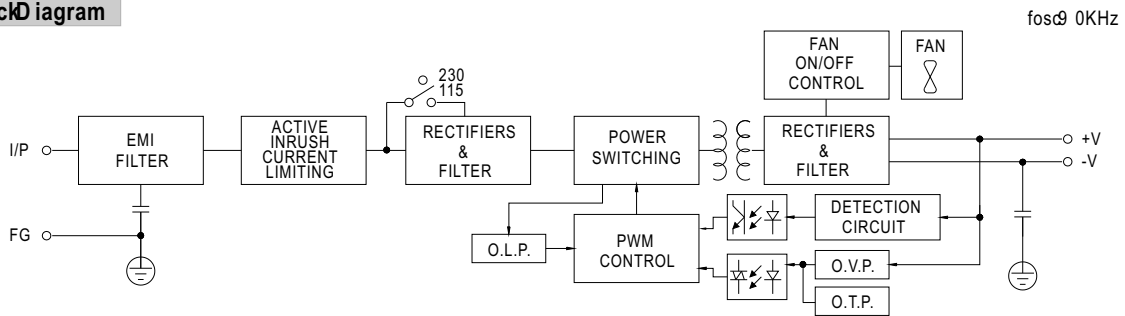
Case No. 912A Unit: mm



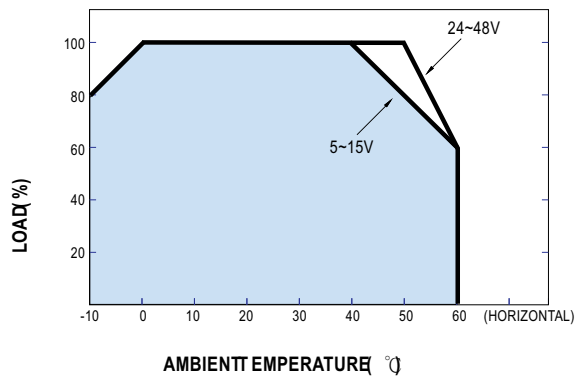
Terminal No. Assignment

Pin No.	Assignment	Pin No.	Assignment
1	AC/L	4-6	DC OUTPUT -V
2	AC/N	7-9	DC OUTPUT +V
3	FG $\perp$		

**Block Diagram**



**Derating Curve**



**Static Characteristics**

