

Features

- Low cost solid state sensor
- Resistance tolerances down to $\pm 2\%$
- High sensitivity to changes in temperature
- Suitable for temperature measurement, control and compensation
- Excellent mechanical strength
- Wide operating temperature range: -58°F to 302°F (-50°C to 150°C)

- Suitable for PCB and probe mountings
- Available in a wide range of material systems
- Also available with epoxy coating
- Available on tape and reel EIA RS-468A for automatic insertion

Description

Point-matched disc thermistor with bare lead-wires.

NTC Thermistor Type RL10

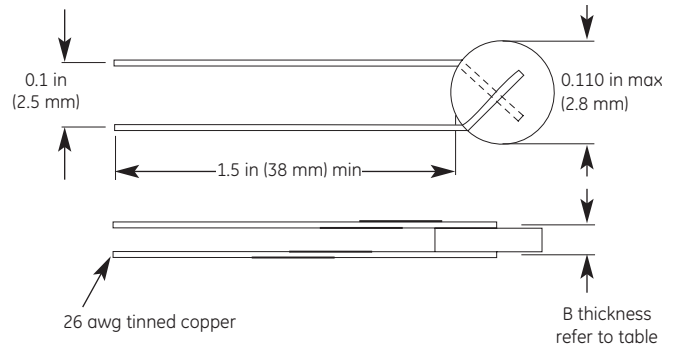
Uncoated Disc With Radial Leads

NTC Thermistor is a Thermometrics product. Thermometrics has joined other GE high-technology sensing businesses under a new name—GE Sensing.



Type RL10 Specifications

Type Number	Ro@25°C Ω	Material Systems	Beta 25/85	B		δ (mW/K)	τ (sec.)
				in	mm		
RL1003-49.2-59-M	75	D5.9	3096	.110	2.79	9	2.5
RL1004-65.6-59-M	100	D5.9	3096	.120	3.05	2.5	9
RL1005-82-59-M	125	D5.9	3096	.130	3.30	2.5	10
RL1006-98.4-59-M	150	D5.9	3096	.140	3.56	2.7	10
RL1003-238-85-K	400	D8.5	3772	.110	2.79	2.5	9
RL1003-312-73-K	500	D7.3	3468	.110	2.79	2.5	9
RL1004-297-85-K	500	D8.5	3772	.120	3.05	2.5	9
RL1005-468-73-K	750	D7.3	3468	.130	3.30	2.5	10
RL1006-475-85-K	800	D8.5	3772	.140	3.56	2.7	10
RL1007-624-73-K	1000	D7.3	3468	.150	3.81	2.8	10
RL1007-594-85-K	1000	D8.5	3772	.150	3.81	2.8	10
RL1003-1157-95-K	2K	D9.5	3965	.110	2.79	2.5	9
RL1004-1446-95-K	2.5K	D9.5	3965	.120	3.05	2.5	9
RL1005-1735-95-K	3K	D9.5	3965	.130	3.30	2.5	10
RL1003-1746-97-K	3K	D9.5	3965	.110	2.79	2.5	9
RL1007-2313-95-K	4K	D9.5	3965	.150	3.81	2.8	10
RL1004-2910-97-K	5K	D9.7A	3972	.120	3.05	2.5	9
RL1003-2871-103-K	5K	D10.3	4073	.110	2.79	2.5	9
RL1004-4019-103-K	7K	D10.3	4073	.120	3.05	2.5	9
RL1007-4364-97-K	7.5K	D9.7A	3972	.150	3.81	2.8	10
RL1009-5820-97-K	10K	D9.7A	3972	.170	4.32	3.0	10
RL1005-5744-103-K	10K	D10.3	4073	.130	3.30	2.5	10
RL1007-6890-103-K	12K	D10.3	4073	.150	3.81	2.8	10
RL1004-8262-120-K	15K	D12.0	4356	.120	3.05	2.5	9
RL1006-11K-120-K	20K	D12.0	4356	.140	3.56	2.7	10
RL1007-13.8K-120-K	25K	D12.0	4356	.150	3.81	2.8	10
RL1003-13.8K-122-K	25K	D12.2	4365	.110	2.79	2.5	9
RL1005-22.1K-122-K	40K	D12.2	4365	.130	3.30	2.5	10
RL1006-26.6K-122-K	50K	D12.2	4365	.140	3.56	2.7	10
RL1003-26.7K-140-K	50K	D14.0	4615	.110	2.79	2.5	9
RL1007-33.2K-122-K	60K	D12.2	4365	.150	3.81	2.8	10
RL1004-34.7K-140-K	65K	D14.0	4615	.120	3.05	2.5	9
RL1005-42.7K-140-K	80K	D14.0	4615	.130	3.30	2.5	10
RL1006-53.4K-140-K	100K	D14.0	4615	.140	3.56	2.7	10
RL1003-52.7K-150-K	100K	D15.0	4228	.110	2.79	2.5	9
RL1004-81.1K-138-K	150K	D13.8	4561	.120	3.05	2.5	9
RL1003-78.4K-155-K	150K	D15.5	4793	.110	2.79	2.5	9
RL1005-79K-150-K	150K	D15.0	4228	.130	3.30	2.5	10
RL1005-108.2K-138-K	200K	D13.8	4561	.130	3.30	2.5	10
RL1006-105.3K-150-K	200K	D15.0	4228	.140	3.56	2.7	10
RL1004-104.7K-155-K	200K	D15.5	4793	.120	3.05	2.5	9
RL1005-130.9K-155-K	250K	D15.5	4793	.130	3.30	2.5	10
RL1006-135.2K-138-K	250K	D13.8	4561	.140	3.56	2.7	10
RL1007-162.3K-138-K	300K	D13.8	4561	.150	3.81	2.8	10
RL1006-157K-155-K	300K	D15.5	4793	.140	3.56	2.7	10
RL1007-183K-155-K	350K	D15.5	4793	.150	3.81	2.8	10



Options

- Other resistances and tolerances at other temperatures are available.
- Resistance tolerance codes: G = 2%
 - J = 5%
 - K = 10%
 - L = 15%
 - M = 20%
- Alternative lead lengths, lead materials, insulations
- The "K" suffix is the same as the "DI" suffix in earlier catalogs.



©2007 GE. All rights reserved.
920-411A

All specifications are subject to change for product improvement without notice. GE® is a registered trademark of General Electric Co. Other company or product names mentioned in this document may be trademarks or registered trademarks of their respective companies, which are not affiliated with GE.