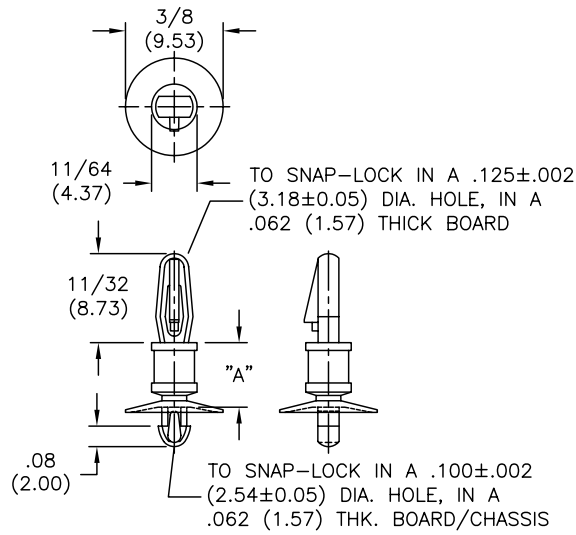


AVAILABLE BY SPECIAL ORDER ONLY
 -NAFTA REGION ONLY

PART NO.	DIM. "A"
CLCBST-2-01	1/8 (3.18)
CLCBST-3-01	3/16 (4.76)
CLCBST-4-01	1/4 (6.35)
CLCBST-5-01	5/16 (7.94)
CLCBST-6-01	3/8 (9.53)
CLCBST-7-01	7/16 (11.11)
CLCBST-8-01	1/2 (12.70)
CLCBST-9-01	9/16 (14.29)
CLCBST-10-01	5/8 (15.88)



NOTES:

- MATERIAL: NYLON 6/6 (RMS-01).
 FLAME RETARDANT, NYLON (RMS-19),
 AVAILABLE BY SPECIAL ORDER ONLY.
- COLOR: NATURAL.

TITLE: CUPPED LOCKING CKT. BD. SUPPORT, TEARDROP			DWG IN IN (MM)		FINAL	PRINT TYPE
TOLERANCES UNLESS NOTED	FILE # CLCBST	DWN: P.B.	APP:			
.XX=±.010	MAT'L: SEE NOTES	DT: 06-21-94	DT:			
.XXX=±.005	RE: RICHCO, INC.	RICHCO INC.				CA
FRAC=±1/64		PO BOX 804238, CHICAGO, 60680				
ANG=±1'		(773) 539-4060				

REV	DESCRIPTION	ENGR	DATE
D	SEE ECN #862 FOR CHANGES	SM	10.04.04
C	CHANGED FILE NO. AND TITLE BLOCK	SM	04.27.01
B	MAT'L RMS-19 ADDED	J.L.	12.19.97
A	CONVERTED TO ACAD	PB	06.21.94