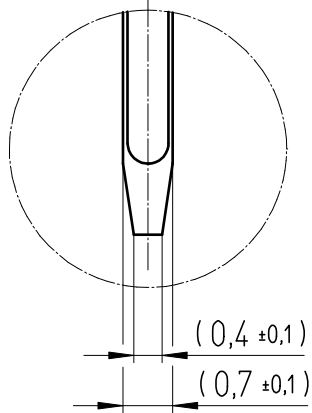


Layout top view



- Samples can deviate in the execution from the serie.

- Dimensions and tolerances can be specified only after the testing of the devices for the mass production definitely

Tab material: Stainless steel

All framed values will be used for dimension checking !

Rev.	<input type="radio"/>			Rev.	<input type="radio"/>				Customer's Approval			
Rev.	<input type="radio"/>			Rev.	<input type="radio"/>				Date			
Rev.	<input type="radio"/>			Rev.	<input type="radio"/>				Signature			
Titel:								Scale	Drawn	15.08.06	SRI	
CR2032 MFR FV									2:1	Checked	15.08.06	FKo
										Approved		
								CH-4452 Itingen		3.9099.4-		
								Switzerland				