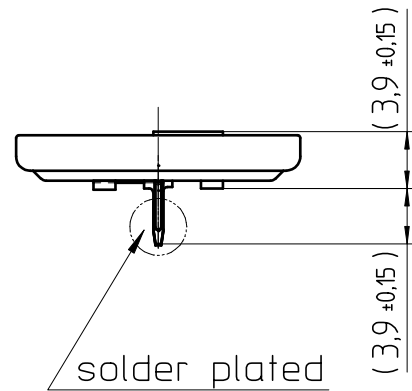
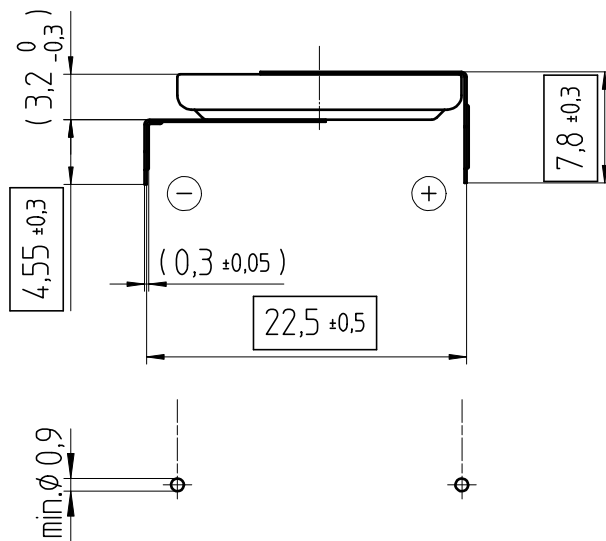
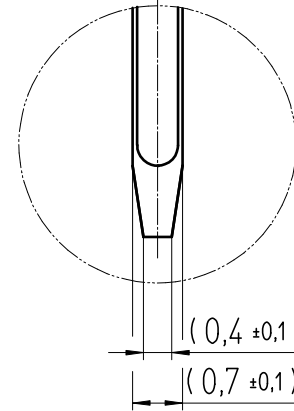
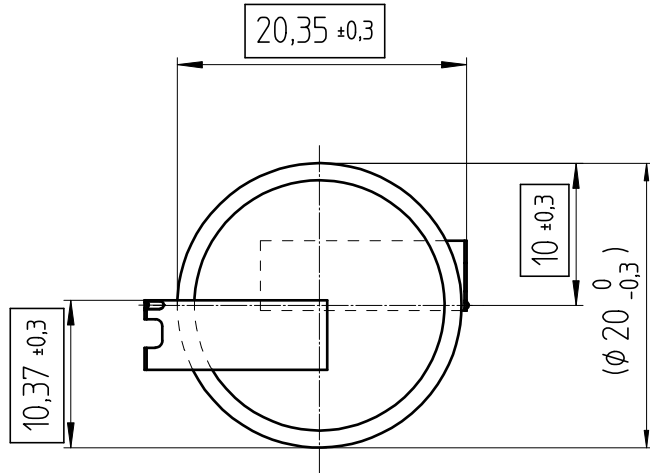


Art.-Number: 701603



Layout
top view

Tab material: Stainless steel

- Samples can deviate in the execution from the serie.

- Dimensions and tolerances can be specified only after the testing of the devices for the mass production definitely

All framed values will be used for dimension checking !

Rev.	<input type="radio"/>			Rev.	<input type="radio"/>				Customer's Approval		
Rev.	<input type="radio"/>			Rev.	<input type="radio"/>				Date		
Rev.	<input type="radio"/>			Rev.	<input type="radio"/>				Signature		
Titel:								Scale 2:1	Drawn	15.08.06	SRI
CR2032 MFR FH2									Checked	15.08.06	FKo
									Approved		
				CH-4452 Itingen Switzerland				3.9100.4-			