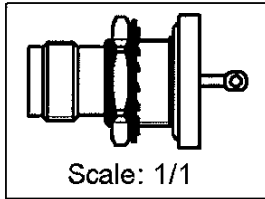
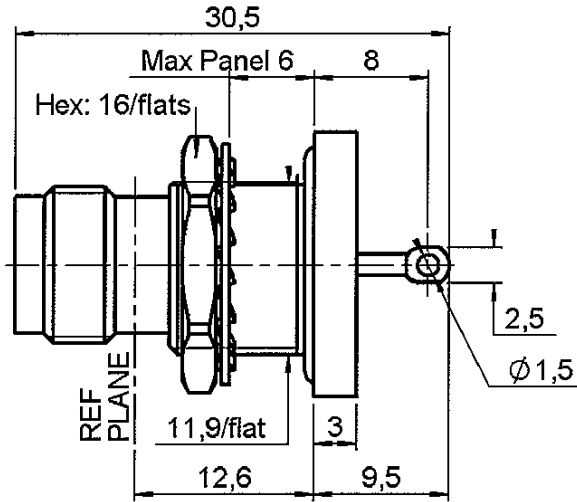


BULKHEAD HERMETICAL JACK RECEPTACLE

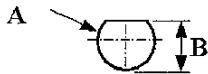
R143.626.000

REAR MOUNT PANEL SEAL

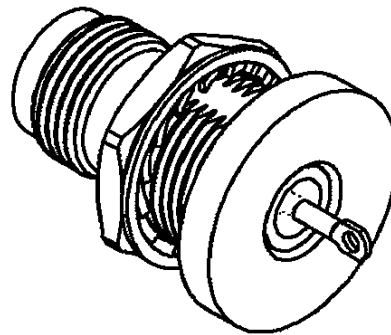
Series : TNC



PANEL CUT OUT



mm		
	Maxi	mini
A	12.9	12.8
B	12.1	12



All dimensions are in mm.



COMPONENTS	MATERIALS	PLATINGS (µm)
BODY	BRASS	NICKEL 2
CENTER CONTACT	BERYLLIUM COPPER	GOLD 0.5 OVER NICKEL 2
OUTER CONTACT	-	-
INSULATOR	PTFE	-
GASKET	SILICONE RUBBER	-
OTHERS PARTS	BRASS	NICKEL 2
-	-	-
-	-	-

Issue : 0504 E

In the effort to improve our products, we reserve the right to make changes judged to be necessary.



BULKHEAD HERMETICAL JACK RECEPTACLE

R143.626.000

REAR MOUNT PANEL SEAL

Series : TNC

PACKAGING

Standard	Unit	Other
1	-	Contact us

SPECIFICATION

ELECTRICAL CHARACTERISTICS

Impedance		50	Ω
Frequency		0-11	GHz
VSWR	1.06 +	0.006	x F(GHz) Maxi
Insertion loss		.025*	√F(GHz) dB Maxi
RF leakage	-(57	- F(GHz)) dB Maxi
Voltage rating		500	Veff Maxi
Dielectric withstanding voltage		1500	Veff mini
Insulation resistance		5000	MΩ mini

ENVIRONMENTAL

Operating temperature	-65/+100	° C
Hermetic seal	10-6	Atm.cm3/s
Panel leakage		NA

OTHERS CHARACTERISTICS

Assembly instruction NA

Others :

* Coaxial Transmission Line Only

MECHANICAL CHARACTERISTICS

Center contact retention			
Axial force – Mating end		18	N mini
Axial force – Opposite end		18	N mini
Torque		2.8	N.cm mini
Recommended torque			
Mating		NA	N.cm
Panel nut		250	N.cm
Mating life		500	Cycles mini
Weight		26.000	g

Issue : 0504 E

In the effort to improve our products, we reserve the right to make changes judged to be necessary.

