

---

**MULTI-FUNCTION MODULE FILTERS**



Primary Power Components Division

**[EMI Filter Cross Reference](#)**

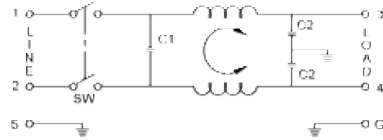
**[EMI Filter Inquiry Form](#)**

**RoHS  
Compliant**

---

### 860 Series General Purpose Filters with Switch

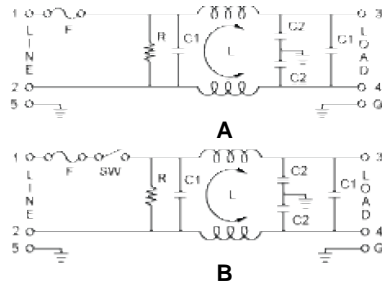
A compact filter with an IEC connector and single fuse holder (5 x 20) providing common and differential mode EMI suppression



Part Number		Amp Rating	Size L x W x H
860-03/008		3	2.15 x 1.12 x 1.5
860-06/018		6	2.15 x 1.12 x 1.5
860-10/024		10	2.15 x 1.12 x 1.5

### 862 Series Multi-Function Module Filters

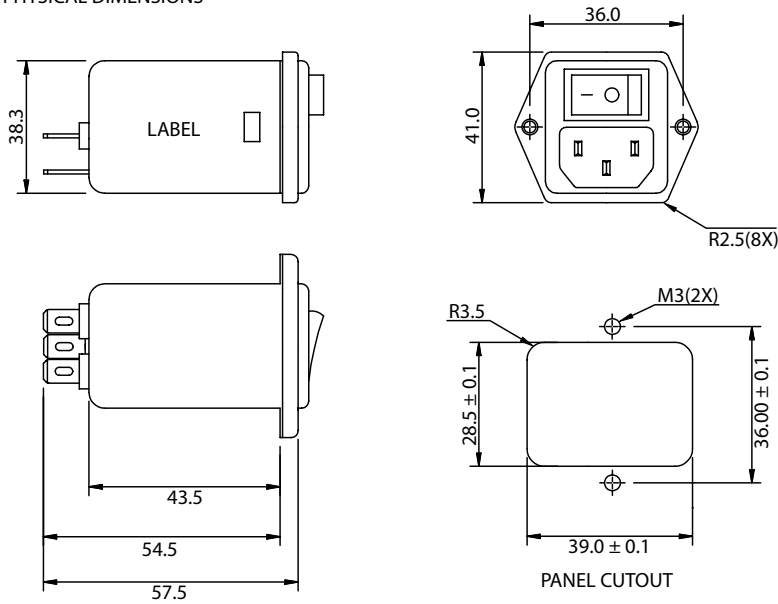
A multi-function power entry module filter that incorporates an IEC connector, a single fuse holder (5 x 20) with optional on/off switch, and voltage selector switch.



THESE DRAWINGS ARE THE PROPERTY OF QUALTEK ELECTRONICS AND NOT TO BE REPRODUCED FOR OR COMMUNICATED TO A THIRD PARTY WITHOUT THE EXPRESS WRITTEN PERMISSION OF AN OFFICER OF QUALTEK ELECTRONICS.

REVISION		
REV.	DESCRIPTION	APPROVED
B	RoHS Compliancy	DP

1. PHYSICAL DIMENSIONS



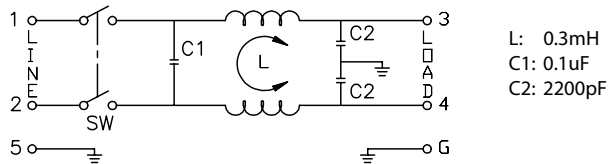
ELECTRICAL CHARACTERISTICS:

- 1-1. VOLTAGE RATING.....115/250VAC
- 1-2. CURRENT RATING
  - A. @ 115 VAC.....10 A RMS MAX
  - B. @ 250 VAC.....10 A RMS MAX
- 1-3. OPERATING FREQUENCY.....50/60Hz
- 1-4. LEAKAGE CURRENT: EACH LINE TO GROUND
  - A. @ 115 VAC 60Hz.....0.20 mA MAX
  - B. @ 250 VAC 50Hz.....0.40 mA MAX
- 1-5. HIPOT RATING (FOR ONE MINUTE)
  - A. LINE TO GROUND.....2250 VDC
  - B. LINE TO LINE.....1450 VDC
- 1-6. MINIMUM INSERTION LOSS IN dB: (AT 50 OHM SYSTEM)

FREQ. MHz	.01	.05	.10	.15	.50	1.0	5.0	10	30
COM. MODE dB	/	/	/	5	10	20	30	35	35
DIF. MODE dB	/	/	/	5	10	20	30	35	35

- 1-7. OPERATING TEMPERATURE.....-25° TO +85° C
- 1-8. SAFETY:
- 1-9. RoHS COMPLIANT

2. ELECTRICAL SCHEMATIC



**CONTROLLED**

Dim range (mm)		Tolerance +/- (mm)		Qualtek Electronics Corp. PPC DIVISION	
0-1	0.15	Part Number: 860-10/024 <span style="border: 1px solid green; padding: 2px;">RoHS Compliant</span>		Description: EMI FILTER	
1-6	0.20	Description: EMI FILTER		UNIT: mm	
6-18	0.30	Description: EMI FILTER		UNIT: mm	
18-50	0.50	Description: EMI FILTER		UNIT: mm	
50-120	0.70	Drawn / Date			
120-250	0.90	B.ZHANG			
250-500	1.20				