

STANDARD LOW POWER INDUCTORS

Switch Mode Power Converters & Ripple Filters



- Designed for general purpose use
- High inductance stability with varying volt-seconds and load currents
- Compact, standard packages
- Low profile or vertical packages

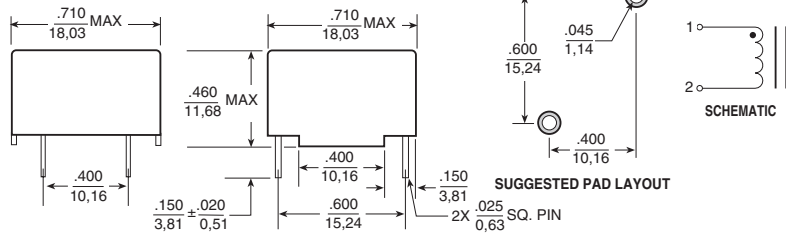
Electrical Specifications @ 25°C — Operating Temperature -40°C to 130°C

| Low Profile ³ Part Number | Vertical ³ Part Number | REFERENCE OPERATING VALUES | | | | DESIGN CONTROL VALUES | | |
|--|---|-------------------------------------|---------------------------------|---|--|---|---------------------------|------------------------|
| | | Inductance Typical (μ H) | I_{DC} ¹ (AMPS) | Maximum ² ET_{OP} (V- μ Sec) | Energy Storage (μ J) ¹ | Inductance No DC (μ H \pm 20%) | 20kHz Test mV No DC | DCR (Ω MAX) |
| PE-52625NL | PE-52645NL | 150 | 1.7 | 80 | 215 | 145 | 110 | .42 |
| PE-52626NL | PE-52646NL | 220 | 1.5 | 90 | 240 | 226 | 140 | .42 |
| PE-52627NL | PE-52647NL | 330 | 1.0 | 100 | 165 | 316 | 170 | .78 |
| PE-52628NL | PE-52648NL | 470 | .90 | 120 | 190 | 480 | 210 | 1.26 |
| PE-52629NL | PE-52649NL | 680 | .85 | 175 | 245 | 690 | 250 | 1.50 |
| PE-52630NL | PE-52650NL | 820 | .75 | 175 | 230 | 780 | 270 | 2.40 |
| PE-52631NL | PE-52651NL | 1000 | .50 | 175 | 125 | 975 | 300 | 2.60 |

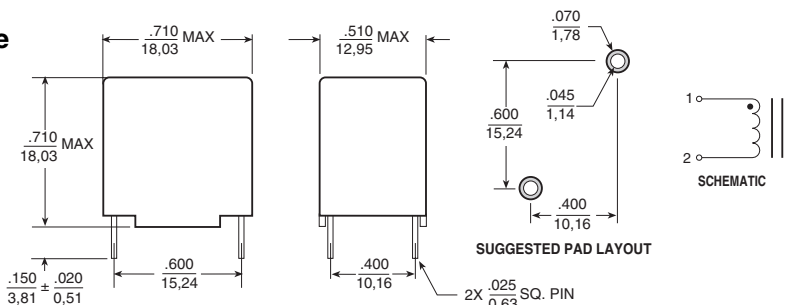
NOTES: 1. I_{DC} rated for 40°C Temperature rise @ low ET_{OP} . 2. Derate current 20% at this ET_{OP} .
3. The Leaded version of these parts is available by removing the "NL" suffix when ordering.

Mechanicals

Low Profile Package



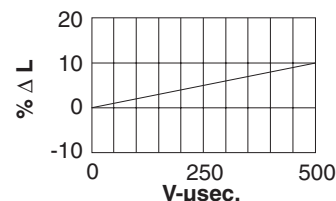
Vertical Package



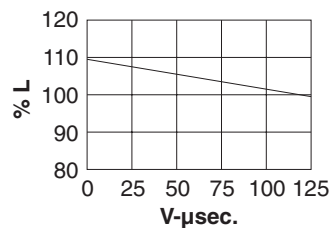
Unless otherwise specified, all tolerances are $\pm .010$
 $0,25$

Dimensions: $\frac{\text{inches}}{\text{mm}}$

Inductance Characteristics



Inductance Variance vs. E.T.



Inductance Variance vs. Load Current

For More Information:

Pulse Worldwide Headquarters

12220 World Trade Drive
San Diego, CA 92128
U.S.A.
www.pulseeng.com
TEL: 858 674 8100
FAX: 858 674 8262

Pulse Northern Europe

3 Huxley Road
Surrey Research Park
Guildford, Surrey GU2 5RE
United Kingdom
TEL: 44 1483 401700
FAX: 44 1483 401701

Pulse Southern Europe

Zone Industrielle
F-39270
Orgelet
France
TEL: 33 3 84 35 04 04
FAX: 33 3 84 25 46 41

Pulse China Headquarters

No. 1
Industrial District
Changan, Dongguan
China
TEL: 86 769 5538070
FAX: 86 769 5538870

Pulse North China

Room 1002
No. 819
Nanjing West Rd
Shanghai
China
TEL: 86 21 32181071
FAX: 86 21 32181396

Pulse South Asia

150 Kampong Ampat
#07-01/02
KA Centre
Singapore 368324
TEL: 65 6287 8998
FAX: 65 6280 0080

Pulse North Asia

3F-4, No. 81, Sec. 1
Hsin Tai Wu Road
Hsi-Chih
Taipei Hsien
Taiwan
TEL: 886 2 26980228
FAX: 886 2 26980948

Performance warranty of products offered on this data sheet is limited to the parameters specified. Data is subject to change without notice. Other brand and product names mentioned herein may be trademarks or registered trademarks of their respective owners.

© Copyright, 2005. Pulse Engineering, Inc. All rights reserved.

www.pulseeng.com

P587.B (1/06)