

# PTS453 Series 4,5 mm Tact Switches



## Features/Benefits

- Compact size 4.5 x 4.5 mm
- 3.8 mm actuator height
- With or without ground terminal

## Typical Applications

- Consumer products
- Instrumentation
- Computer products
- Hand-held devices

## Specification

FUNCTION: Momentary action  
CONTACT ARRANGEMENT: SPST, N.O.  
TERMINALS: PC pins

## Mechanical

ACTUATION FORCE: 130 grams.  
LIFE EXPECTANCY: 25,000 operations.

## Electrical

CONTACT RATING: 50 mA @ 12 V DC.  
DIELECTRIC STRENGTH: 250 V AC min.  
CONTACT RESISTANCE: 100 mΩ max. initial.  
INSULATION RESISTANCE: 10<sup>11</sup> Ω min.

## Environmental

OPERATING TEMPERATURE: -40°C to 60°C

## Process

SOLDERING: Preheating to 100°C for 45 sec. max. Keep flux flush with top surface of PCB; do not apply to component side of PCB and area where terminals are located. Soldering to 255°C for 5 sec. max. Clean by brushing on solder surface. Do not clean switch with solvents.

## Materials

BASE: 6/6 nylon or glass filled polyester (PBT) (UL 94V-0).  
ACTUATOR: Polyacetal (UL 94HB).  
COVER PLATE: PTS453S: Tin-plated brass.  
PTS453T: Tin alloy.  
DOME CONTACTS: Phosphor bronze, silver clad.  
STATIONARY CONTACTS: Brass, silver plated.  
TERMINALS: Brass, silver plated. Insert molded.

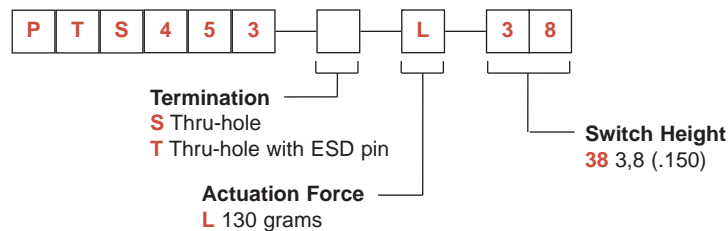
## Packaging

Bulk packaging.

**NOTE:** Specifications listed above are for switches with standard options.  
For information on specific and custom switches, consult Customer Service Center.

## How To Order

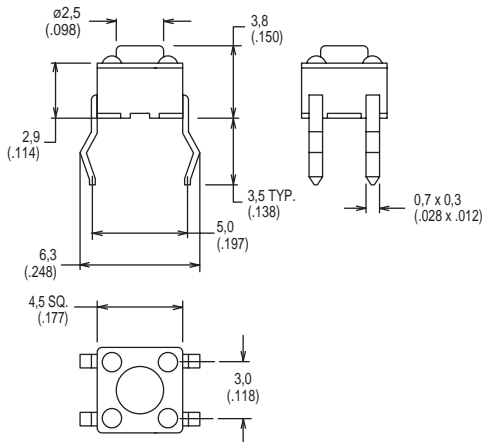
Our easy build-a-switch concept allows you to mix and match options to create the switch you need. To order, select desired option from each category and place it in the appropriate box.



# PTS453 Series 4,5 mm Tact Switches

SERIES

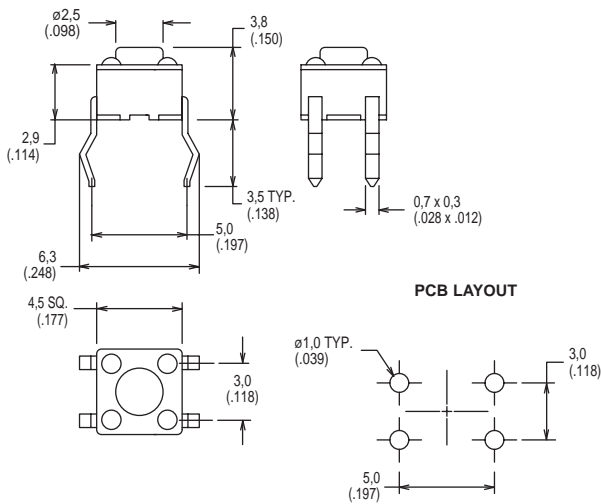
**PTS453**



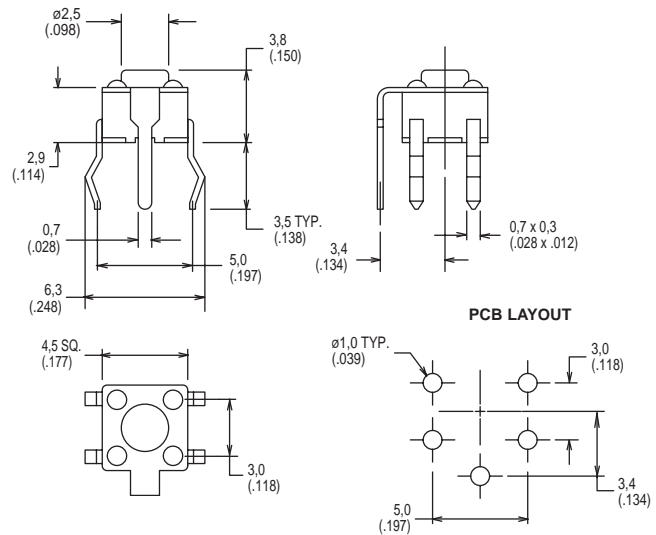
SCHEMATIC	
Without ESD pin	With ESD pin

TERMINATION

**S** THRU-HOLE



**T** THRU-HOLE WITH ESD PIN

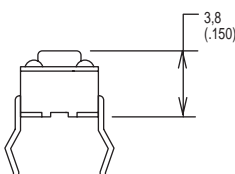


ACTUATION FORCE

**L** 130 GRAMS

SWITCH HEIGHT

**38** 3,8 (.150)



**B**

Tactile Switches