

4-Mode Preset Equalizer IC

PT2381

Description

PT2381 is a pre-set equalizer IC utilizing CMOS Technology specially designed for audio equipment. It features four sound selections, namely: Classical, Pops, Rock and Normal/Flat which may be selected by the 2 control pins (SW1 and SW2).

PT2381 has 2 built-in channels - each containing an internal operation amplifier and selectable resistors. Thus, least external components are used. By connecting only 3 capacitors to each channel, the high performance pre-set equalizing function of this IC is achieved. Pin assignments and application circuit are optimized for easy PCB layout and cost saving for audio applications. PT2381 is housed in a 16-Pin DIP or SO Package and is suitable for stereo applications.

Features

- CMOS Technology
 - Least External Components
 - Enhanced Effects of PT2380
 - Available in 16 Pins, DIP or SO Package
 - 4 Sound Effect Selections Available: Classical, Pops, Rock, and Normal/Flat
 - Wide Operating Voltage Range: $V_{cc} = 2 \sim 15 \text{ V}$
 - Two Channels in the one chip
 - Can be controlled by Micro-Processor Output Pin which is compatible with TA2078, M62412
- Interface Definition

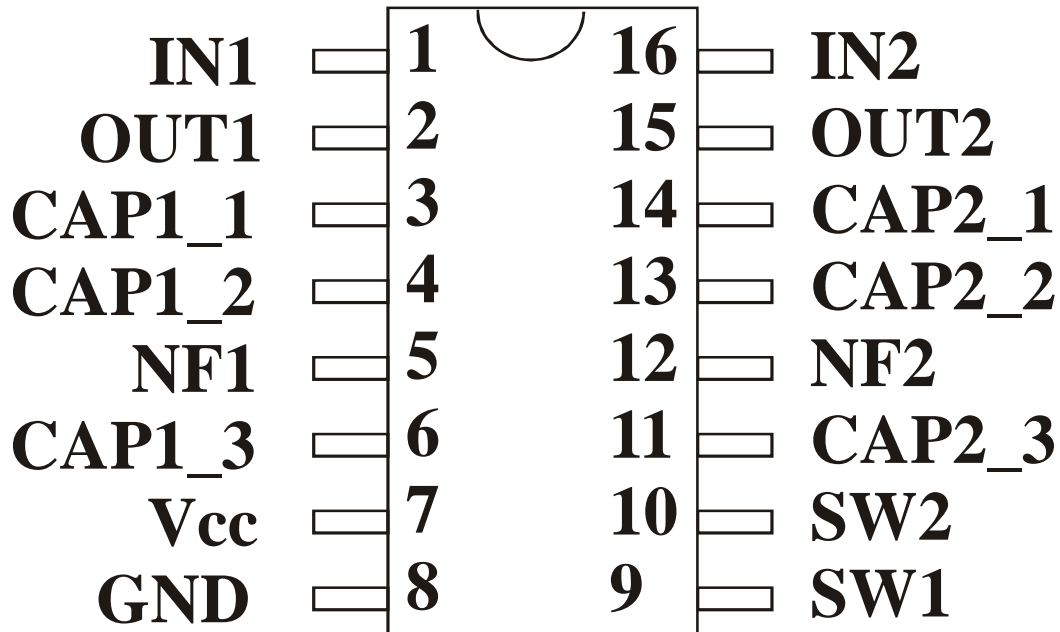
Applications

- Mini Compo
 - Car Stereo
 - Radio Cassette Recorders
 - Multi-Media Speaker
 - MPEG Card
 - Mini Walk-Man
 - Other Audio Equipment
-
-

4-Mode Preset Equalizer IC

PT2381

Pin Configuration



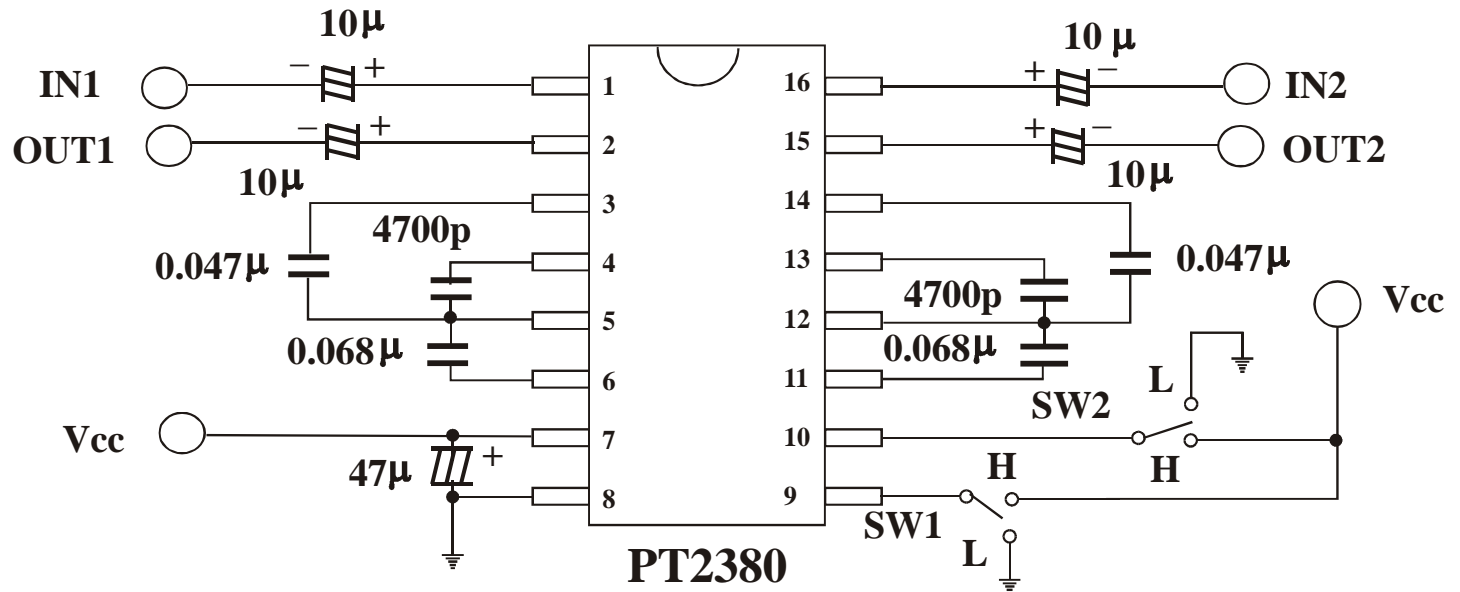
PT 2380

PT2381 Pin Configuration

4-Mode Preset Equalizer IC

PT2381

Application Circuits

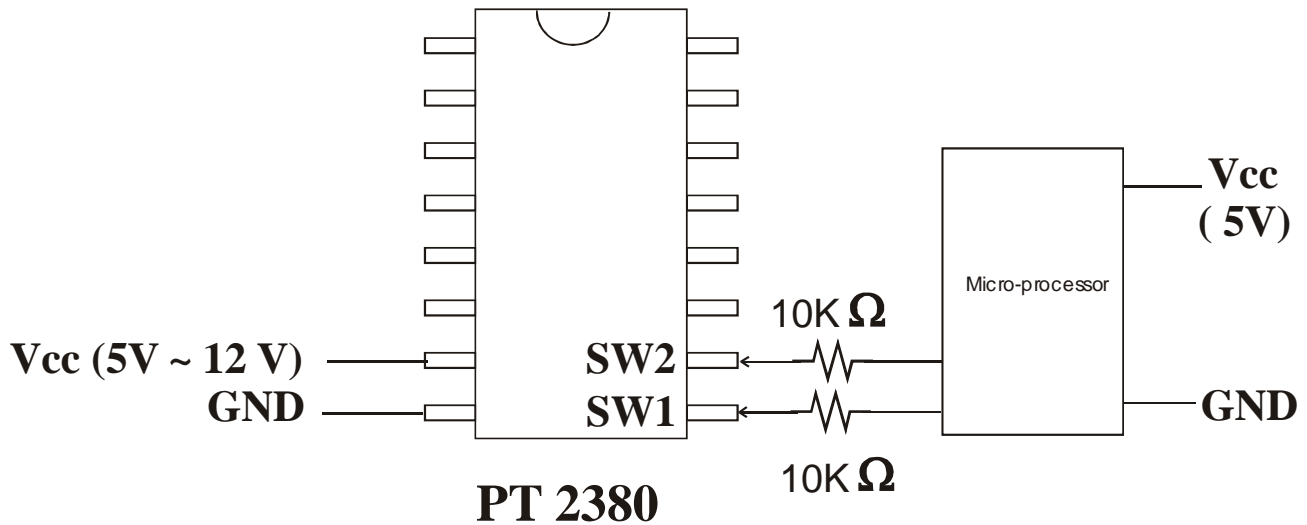


PT2381 Application Circuit

Note: The Capacitor's Polarity of Pins: IN1, IN2, OUT1, OUT2 are dependent on the applied DC Level of Pins IN1, IN2, OUT1, OUT2.

4-Mode Preset Equalizer IC

PT2381



PT2381 Application Circuit with Micro-Controller Connection

Order Information

Valid Part Number	Package Type
PT2381	16 Pins, DIP Package
PT2381-S	16 Pins, SOP (300 mil)