



Princeton Technology Corp. reserves the right to change the product described in this datasheet. All information contained in this datasheet is subject to change without prior notice. Princeton Technology Corp. assumes no responsibility for the use of any circuits shown in this datasheet.

## Description

The RX3310A is a fully integrated, amplitude-shift-keying (ASK) modulation, single chip receiver. It is designed to operate in a variety of low power radio applications. All popular radio frequencies from 250 MHz to 450 MHz may be supported by simply choosing the appropriate external components. Particular emphasis has been placed on low current consumption.

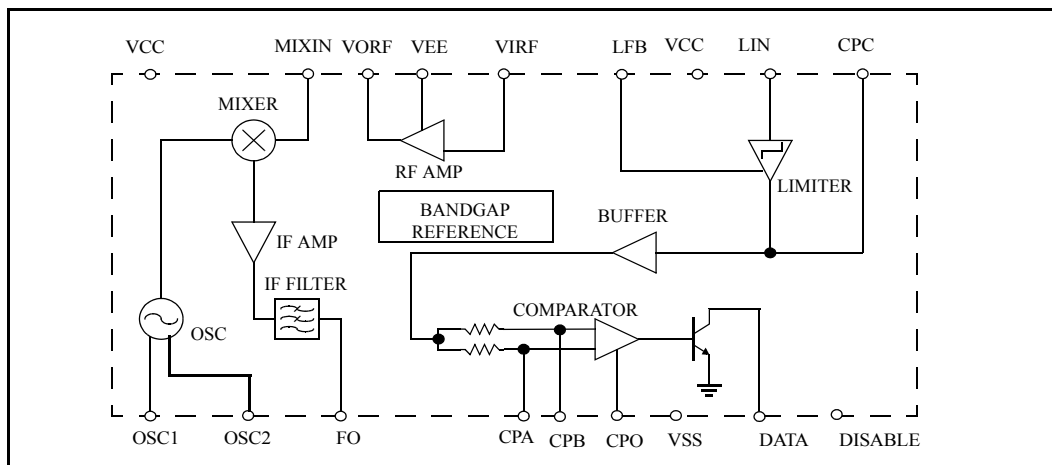
## Features

- ◆ Wide frequency range: 250 MHz to 450 MHz
- ◆ High sensitivity
- ◆ Low power consumption
- ◆ Automotive temperature range
- ◆ High integration level requiring few and inexpensive external components
- ◆ SOP 18L package or SSOP 20L (150 mil) package

## Applications

- ◆ Remote control systems
- ◆ Car alarm and other security systems
- ◆ Baby finder, wireless doorbell, wireless toys

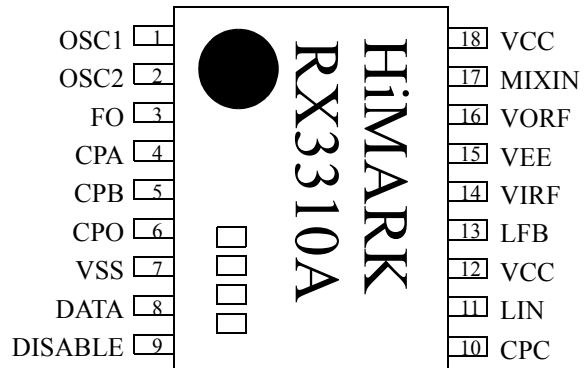
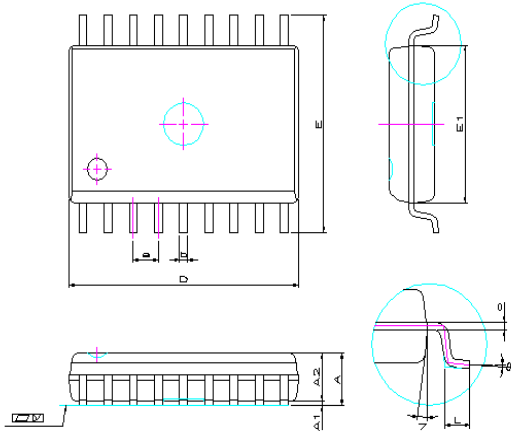
## Block Diagram



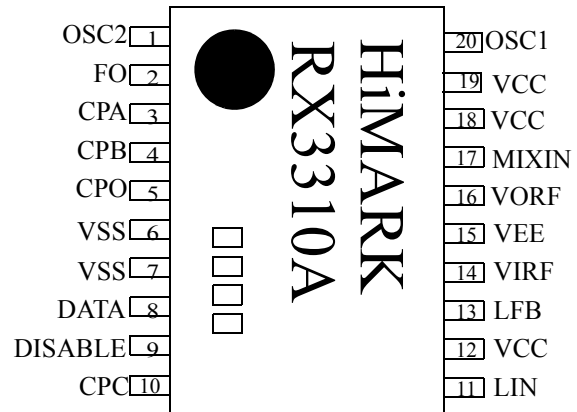
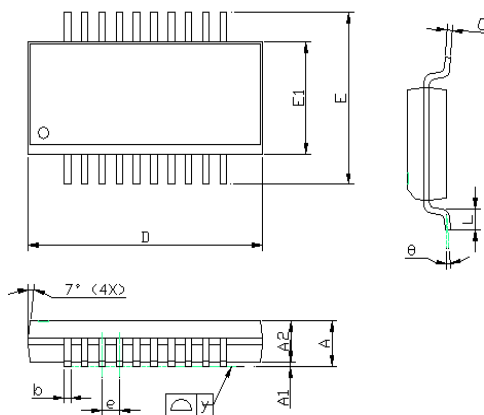


**Package and Pin Assignment: SOP 18L or SSOP 20L**

**SOP 18L package**



**SSOP 20L package**

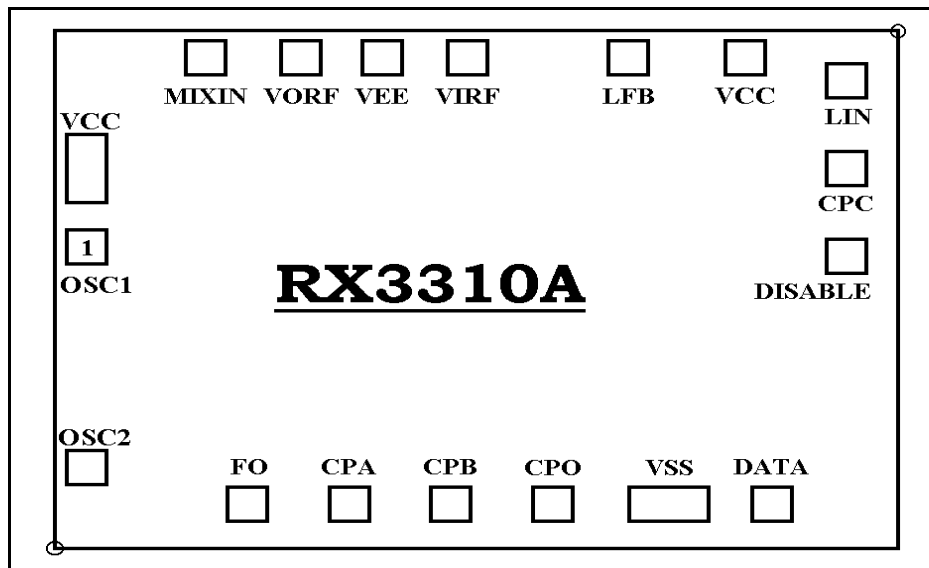


Sym bols	SOP 18L (dimensions in mm)			SOP 18L (dimensions in inch)			SSOP 20L (dimensions in mm)			SSOP 20L (dimensions in inch)		
	MIN.	NOM.	MAX.	MIN.	NOM.	MAX.	MIN.	NOM.	MAX.	MIN.	NOM.	MAX.
A	---	---	2.640	---	---	0.104	1.35	1.60	1.75	0.053	0.064	0.069
A1	0.100	---	---	0.004	---	---	0.1	---	0.25	0.004	---	0.010
A2	2.190	2.290	2.390	0.086	0.090	0.094	---	1.45	---	---	0.057	---
b	0.360	0.410	0.460	0.014	0.016	0.018	0.20	0.25	0.30	0.008	0.010	0.012
C	0.242	0.250	0.258	0.007	0.010	0.013	0.19	---	0.25	0.007	---	0.010
D	11.46	11.56	11.66	0.451	0.455	0.459	8.55	---	8.75	0.337	---	0.344



Sym bols	SOP 18L (dimensions in mm)			SOP 18L (dimensions in inch)			SSOP 20L (dimensions in mm)			SSOP 20L (dimensions in inch)		
	MIN.	NOM.	MAX.	MIN.	NOM.	MAX.	MIN.	NOM.	MAX.	MIN.	NOM.	MAX.
E	10.04	10.34	10.64	0.395	0.407	0.419	5.80	---	6.20	0.228	---	0.244
E1	7.390	7.490	7.590	0.291	0.295	0.299	3.80	---	4.00	0.150	---	0.157
e	1.220	1.270	1.320	0.048	0.050	0.052	---	0.64	---	---	0.025	---
L	0.640	0.840	1.040	0.025	0.033	0.041	0.40	---	1.27	0.016	---	0.050
$\theta$	0°	---	8°	0°	---	8°	0°	---	8°	0°	---	8°
y	---	---	0.050	---	---	0.002	---	---	0.10	---	---	0.004

### RX3310A Chip Window





## Pin Descriptions

Number (18L SOP)	Number (20L SSOP)	Name	I/O	Description
1	20	OSC1	IO	Oscillator tank connection
2	1	OSC2	IO	Oscillator tank connection
3	2	FO	O	IF filter output
4	3	CPA	I	Comparator input A
5	4	CPB	I	Comparator input B
6	5	CPO	I	Comparator offset adjustment
7	6,7	VSS	GND	Ground
8	8	DATA	O	Data output
9	9	DISABLE	I	Disable input. See <i>Electrical Characteristics (cont.)</i> on page 6
10	10	CPC	I	Comparator input C
11	11	LIN	I	Limiter input
12	12	VCC	POWER	Positive supply voltage
13	13	LFB	IO	Limiter feedback B
14	14	VIRF	I	RF amplifier input (requires external ac decoupling capacitor)
15	15	VEE	GND	Ground for RF amplifier
16	16	VORF	O	RF amplifier output
17	17	MIXIN	I	Mixer input (requires external ac decoupling capacitor)
18	18,19	VCC	POWER	Positive supply voltage



## Absolute Maximum Ratings

$V_{SS} = 0\text{ V}$

Parameter	Symbol	Rating	Unit
Supply voltage	$V_{CC}$	$V_{SS} - 0.3$ to $V_{SS} + 6.0$	V
Operating temperature range	$T_{OPR}$	-60 to 85	°C
Storage temperature range	$T_{STG}$	-60 to 125	°C
Soldering temperature range	$T_{SLD}$	255	°C
Soldering time range	$t_{SLD}$	10	s

## Recommended Operating Conditions

$V_{SS} = 0\text{ V}$

Parameter	Symbol	Value			Unit
		min.	typ.	max.	
Supply voltage range	$V_{CC}$	2.0	3.0	6.0	V
Operating temperature	$T_A$	-40	25	85	°C



## Receiver Characteristics

( $V_{CC} = 2.0$  to  $6.0$  V, LO-RF=1.8MHz, All tests at  $T_A = 25$  °C unless otherwise noted)

Parameter	Symbol	Condition	Value			Unit
			min.	typ.	max.	
Sensitivity	$P_{sens}$	$V_{CC} = 3.0$ V, $T_A = 27$ °C, AM 99%, sine wave (ASK square wave)	-100 (-104)	-98 (-102)		dBm
Maximum input power	$P_{in,max}$			-35	-30	dBm
Receiver turn-on time	$t_{ON}$				5	ms

## Electrical Characteristics

( $V_{CC} = 3.0$  V,  $V_{SS} = 0$  V, All tests at  $T_A = 25$  °C unless otherwise noted)

Parameter	Symbol	Condition	Value			Unit
			min.	typ.	max.	
Supply current	$I_{CC}$			3	4.5	mA
Standby current	$I_{CC,SB}$	DISABLE = high		5	10	μA
Disable pin input logic high <sup>a</sup>	$V_{DIH}$		2.0	2.4		V
Disable pin input logic low <sup>a</sup>	$V_{DIL}$				0.8	V
Data output logic high	$V_{OH}$		$V_{pp}^b - -$ 0.3 V			V
Data output logic low	$V_{OL}$				0.3	V

- a. Note: If the Disable pad is connected to an off-chip signal (open), then the pad is internally grounded.  
b. Note:  $V_{pp}$  is the pull-up voltage for open collector data output. It may be as high as 13 V.

## Electrical Characteristics (cont.)

( $V_{CC} = 5.0$  V,  $V_{SS} = 0$  V, All tests at  $T_A = 25$  °C unless otherwise noted)

Parameter	Symbol	Condition	Value			Unit
			min.	typ.	max.	
Supply current	$I_{CC}$			4.5	5.0	mA
Standby current	$I_{CC,SB}$	DISABLE = high		5	10	μA
Disable pin input logic high <sup>a</sup>	$V_{DIH}$		2.0	2.4		V
Disable pin input logic low <sup>a</sup>	$V_{DIL}$				0.8	V
Data output logic high	$V_{OH}$		$V_{pp}^b - -$ 0.3 V			V
Data output logic low	$V_{OL}$				0.3	V

- a. Note: If the Disable pad is connected to an off-chip signal (open), then the pad is internally grounded.  
b. Note:  $V_{pp}$  is the pull-up voltage for open collector data output. It may be as high as 13 V.



---

---

## Functional Description

### RF amplifier

The RF amplifier uses a common emitter configuration with a separate emitter connection (VEE). The input signal (VIRF) should be ac-coupled externally. The output of the amplifier is open collector so that the gain may be set with an external tuned load.

### Mixer

The mixer is doubly-balanced configuration and has an ac-coupled input.

### Oscillator

A balanced oscillator configuration is used with an L-C tank externally connected across the OSC1 and OSC2 pins. The frequency of the oscillator is determined by the external capacitor, C1, and inductor, L1 (please refer to application circuit schematic).

### IF amplifier

The IF amplifier is a differential input, single-ended output emitter-coupled pair. It is used to provide additional gain in order to reduce the influence of the noise of the succeeding limiter amplifier on the total receiver noise figure.

### IF filter

To minimize external component costs, an active IF filter is fully integrated.

### Limiter

The limiting amplifier consists of several dc-coupled amplifier stages and outputs an RSSI signal.

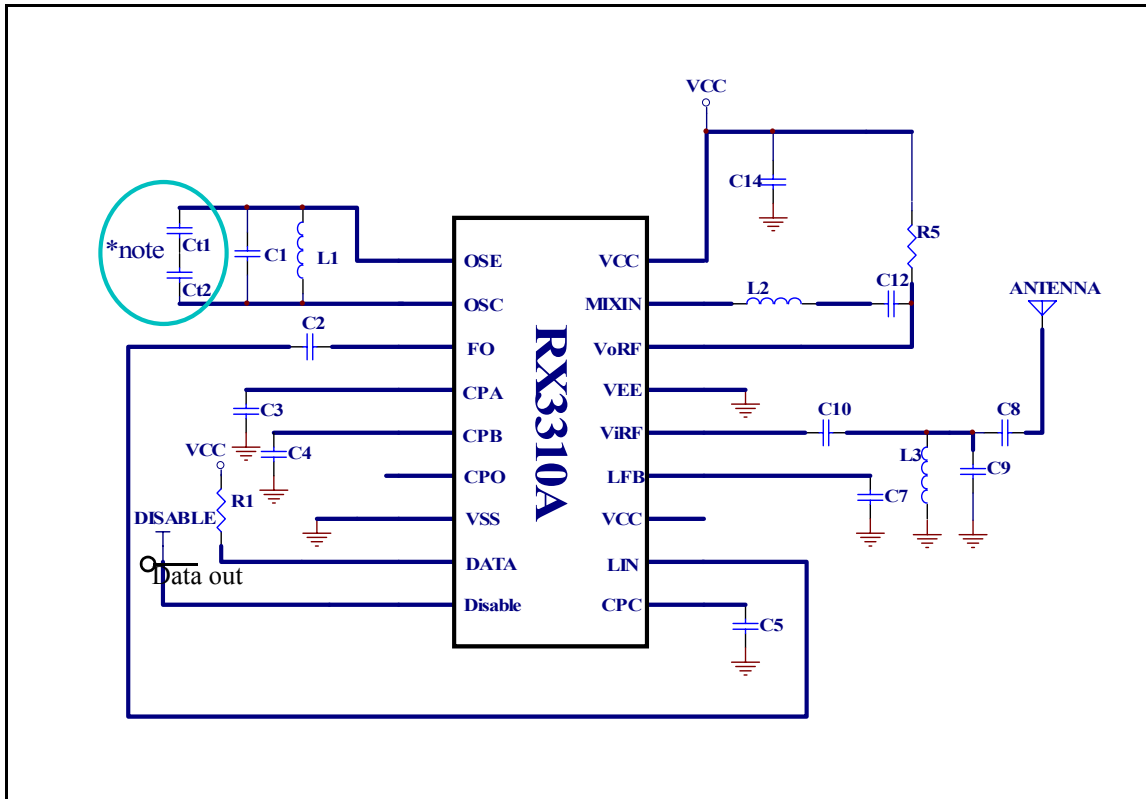
### Comparator

Following the limiting amplifier, the RSSI signal is passed through an additional buffer stage and is then fed to the comparator's positive and negative terminals, which possess different R-C filter time constants. A larger off-chip capacitor is used at the negative comparator input and hence, its terminal voltage represents the average value of the RSSI signal. A smaller off-chip capacitor is used at the positive comparator input and this allows the positive input to follow the RSSI signal instantaneously. When the received RSSI signal exceeds its average value (when an ASK **on** signal is received), the comparator output is switched on.

### Band gap reference

A band gap reference provides precise biasing of the entire chip over temperature.

## Application Circuit SOP 18L



\* note: C1, C2 are added for the temperature compensation. Not necessary.



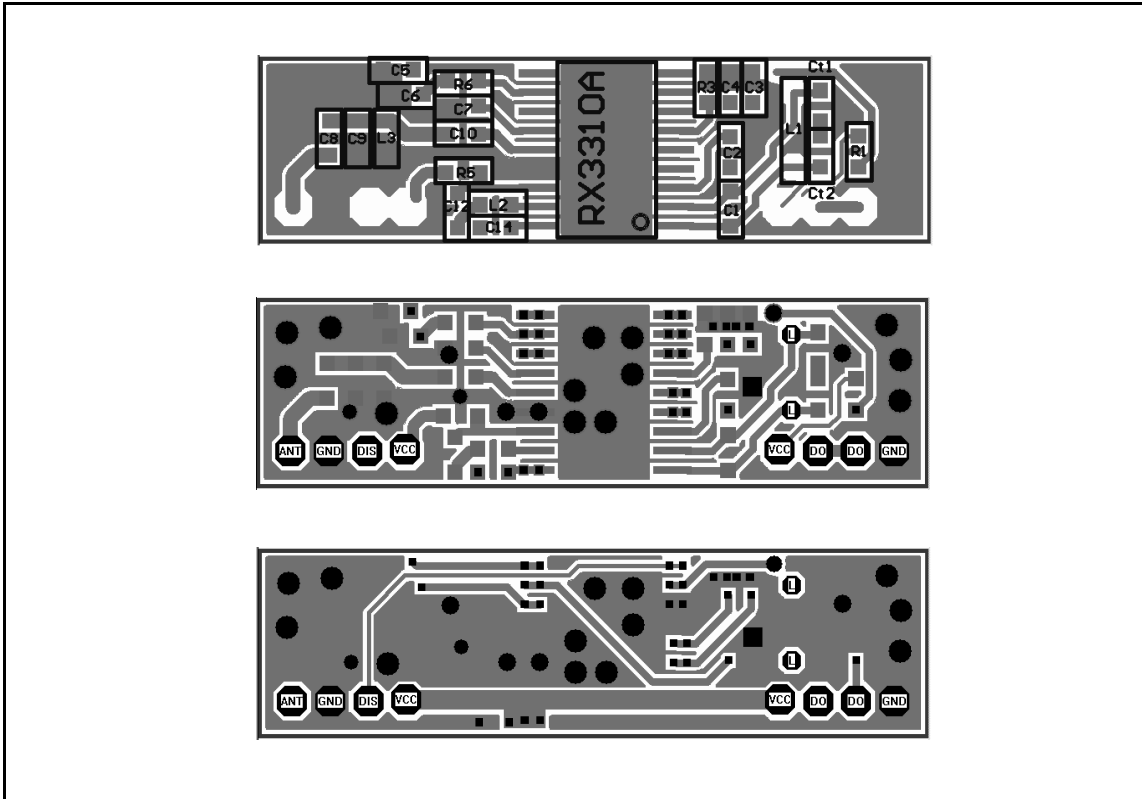


## External Components

Component	Frequency Band (MHz)				Unit	Tolerance	Remark
	303	315	418	434			
C1	6.8	6.8	6.8	5.6	pF	+/-0.5pF	TC=NPO
C2	68	68	68	68	pF	+/-5%	TC=NPO
C3	470	470	470	470	pF	+/-10%	TC=X7R
C4	1	1	1	1	μF	+/-10%	TC=Y5V
C5	470	470	470	470	pF	+/-10%	TC=X7R
C7	10	10	10	10	nF	+/-10%	TC=X7R
C8	2.2	1.8	1.8	1.5	pF	+/-0.25pF	TC=NPO
C9	1.8	1.5	1.2	1.2	pF	+/-0.25pF	TC=NPO
C10	22	18	22	10	pF	+/-5%	TC=NPO
C12	82	82	82	82	pF	+/-5%	TC=NPO
C14	1	1	1	1	μF	+/-10%	TC=Y5V
Ct1	3	3	3	3	pF		GRM4DUJ030C50
Ct2	8.2	8.2	8.2	8.2	pF		TC=NPO
R1	100	100	100	100	KΩ	+/-5%	TC=+/-200 ppm
R5	1	1	1	1	KΩ	+/-5%	TC=+/-200 ppm
L1	2.5	2.5	1.5	1.5	T		tunable
L2	100	100	100	82	nH		
L3	33	33	18	18	nH		

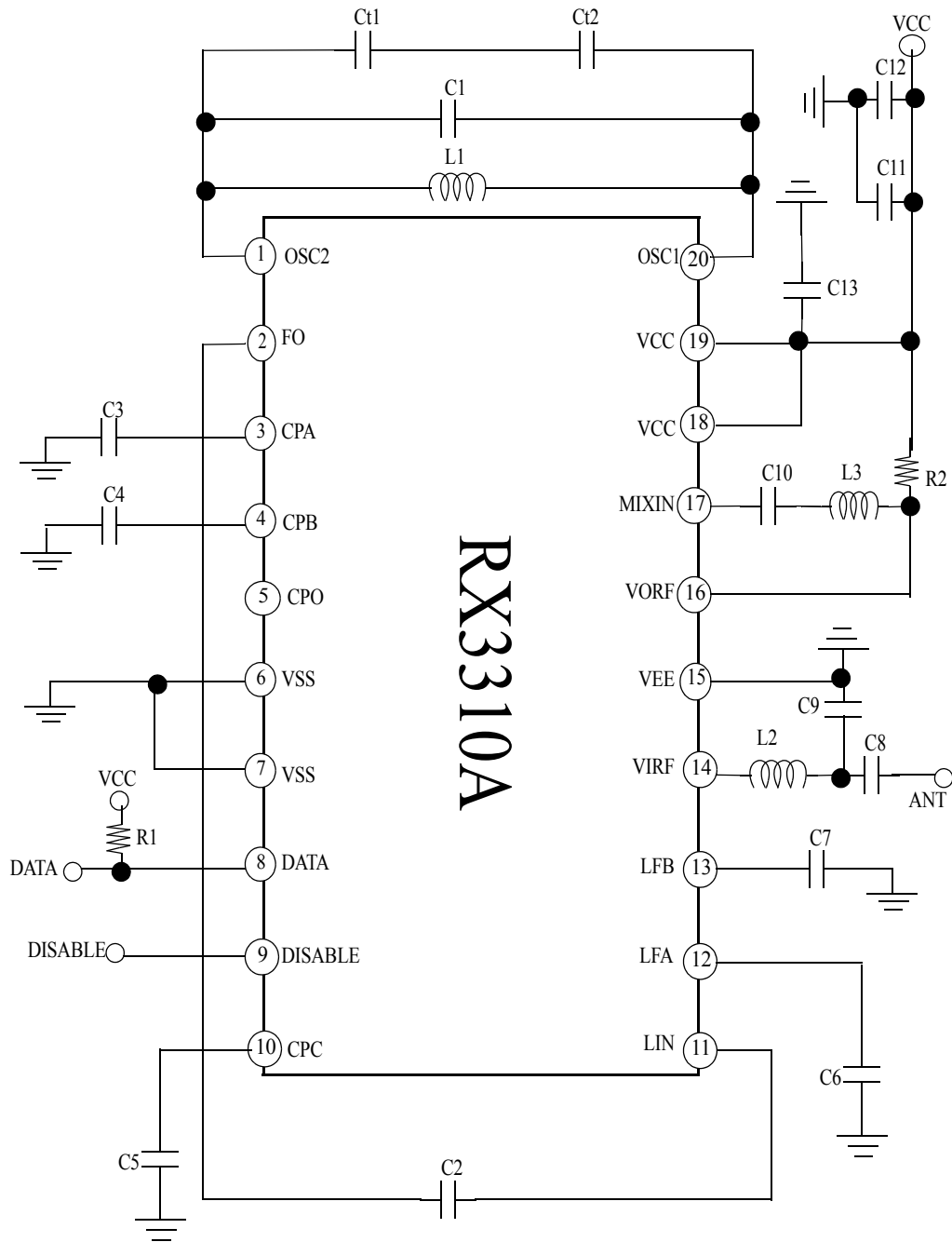
note: All components are SMD 0805 type.

**Evaluation Board Layout (Example)**



1. From top to bottom: Component side of printed-circuit board, top side, bottom side.
2. Copy this page by the factor of 50%, the real size printed-circuit board is available. (Real-size: 11.8mm\*43.5mm)
3. Suggested board material: FR4, thickness: 0.8mm

## Application Circuit SSOP 20L



RX3310A

\* note: C1, C2 are added for the temperature compensation. Not necessary.



## External Components

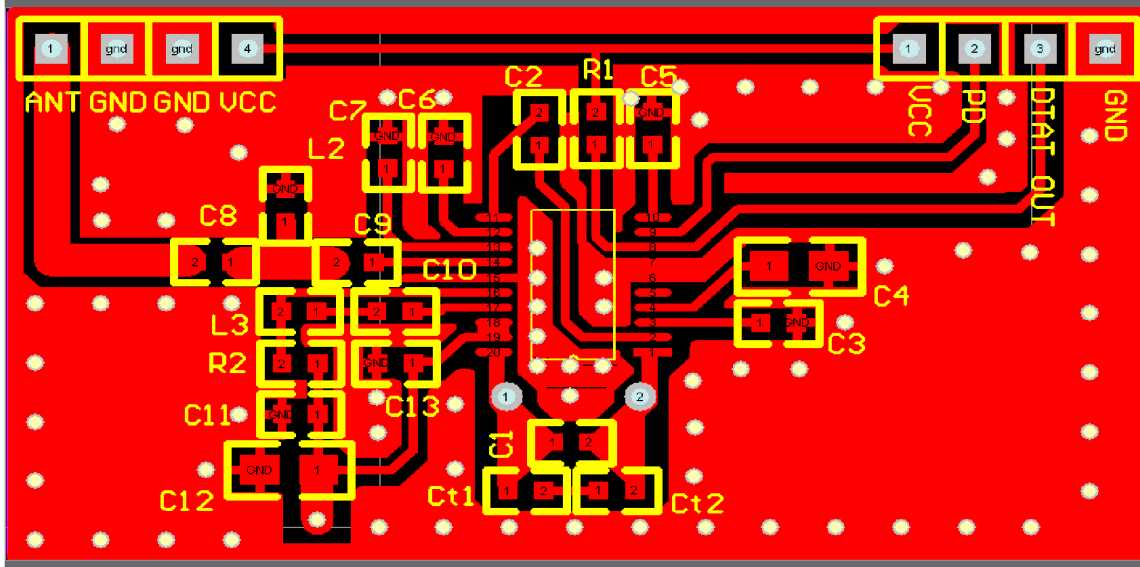
Component	Frequency (MHz)		Unit	Tolerance	Remark
	315	434			
C1	8.2	6.8	pF	+/-0.5pF	TC=NPO
C2	100	100	pF	+/-5%	TC=NPO
C3	560	560	pF	+/-10%	TC=X7R
C4	1	1	μF	+/-10%	TC=Y5V
C5	1	1	nF	+/-10%	TC=X7R
C6	10	10	nF	+/-10%	TC=X7R
C7	10	10	nF	+/-10%	TC=X7R
C8	100	100	pF	+/-0.25pF	TC=NPO
C9	4.7	8.2	pF	+/-0.25pF	TC=NPO
C10	100	120	pF	+/-5%	TC=NPO
C11	10	10	nF	+/-10%	TC=X7R
C12	3.3	3.3	uF	+/-10%	TC=Y5V
C13	470	470	pF	+/-10%	TC=X7R
Ct1					
Ct2					
R1	100	100	KΩ	+/-5%	TC=+/-200 ppm
R2	680	680	Ω	+/-5%	TC=+/-200 ppm
L1	2.5	1.5	T		tunable
L2	100	56	nH		
L3	100	68	nH		

note: All components are SMD 0603 type.

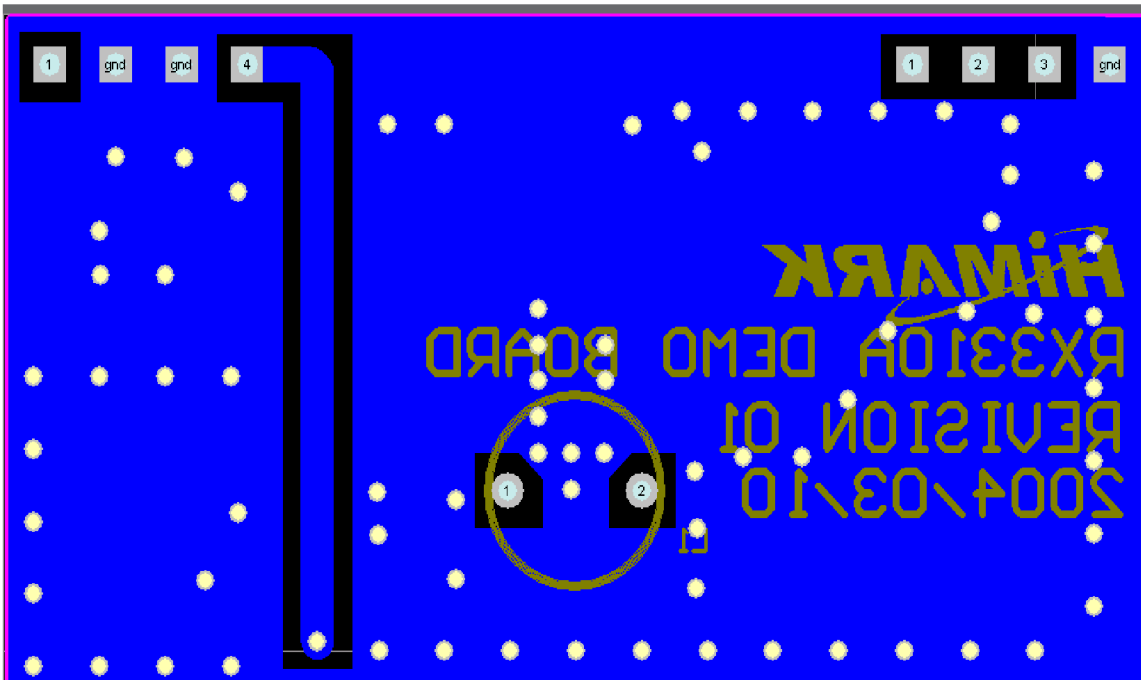
\* note:Ct1,Ct2 are added for the temperature compensation. Not necessary.



**Evaluation Board Layout (Example)**



**RX3310A PCB Top Layer**



**RX3310A PCB Bottom Layer**

1. From top to bottom: Component side of printed-circuit board, top side, bottom side.
2. The PCB protel file is available. The real size printed-circuit board is available.(Real-size:1753 mil\*934mil)
3. Suggested board material: FR4, thickness: 1.0mm