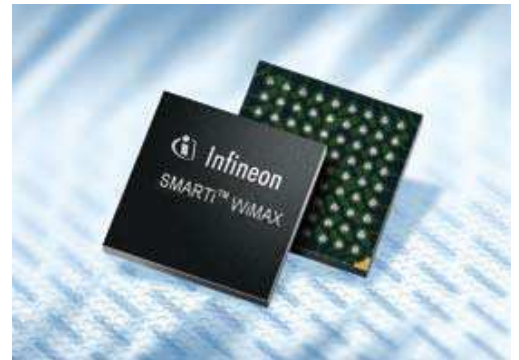


PMB 2008

SMARTi™ WiMAX

Single-chip dual-band WiMAX / WLAN RF Transceiver IC with standard I&Q interface



SMARTi™ WiMAX (PMB 2008) is the first single-chip dual-band WiMAX and WLAN Transceiver IC with standard I&Q interface for multi-media and feature-rich mobile devices.

It integrates the functionality of a WiMAX and WLAN RF transceiver IC in a single chip CMOS RF transceiver supporting dual band operation (2.5 & 3.5GHz) according to IEEE WiMAX 802.16e and IEEE Wireless LAN standards 802.11b and 802.11g.

SMARTi™ WiMAX features a footprint of only 5x5mm² and provides full support for multiple channel bandwidths, from 3.5MHz to 20MHz, as well a wide range of reference clock frequencies, thus making the SMARTi™ WiMAX a highly flexible solution that can interface with a wide variety of standard WiMAX or WiFi baseband IC's using the chip's standard analog I/Q and serial programming interfaces.

Features

- Fully integrated sigma-delta synthesizer with digital frequency offset compensation
- Support of various external clock frequencies 38.4/26/52/40/44.8MHz
- Configurable channel filters to support all OFDM bandwidths from 3.5 to 20MHz
- Analogue I/Q voltage interface for RX and TX (current mode supported in TX)
- Low EVM: RX < -30dB; TX < -34dB
- Supports 64QAM modulation for up- and downlink
- TX PGA with output power range of 45dB
- Integrated feedback loop to support carrier feedthrough and SSB compensation in TX path
- RX PGC with 101 dB dynamic range
- Various power down modes
- Low current consumption
- Built-in calibration routines to reduce production testing effort & equipment
- Supports coexistence of WiMAX / WLAN with GSM, CDMA, UMTS and BT
- Compatible to a wide variety of Standard WiMAX PA's

Technology

- Based on Infineon's C11 130nm RF-CMOS technology
- PG-WF²SGA-81 package
- 5.0 x 5.0 mm²
- Green product (lead (Pb) and halogen free)

Applications

- IEEE 802.16e WiMAX and IEEE 802.11b/g WLAN mobile phone and modem applications
- PC Cards, PDAs
- Access points

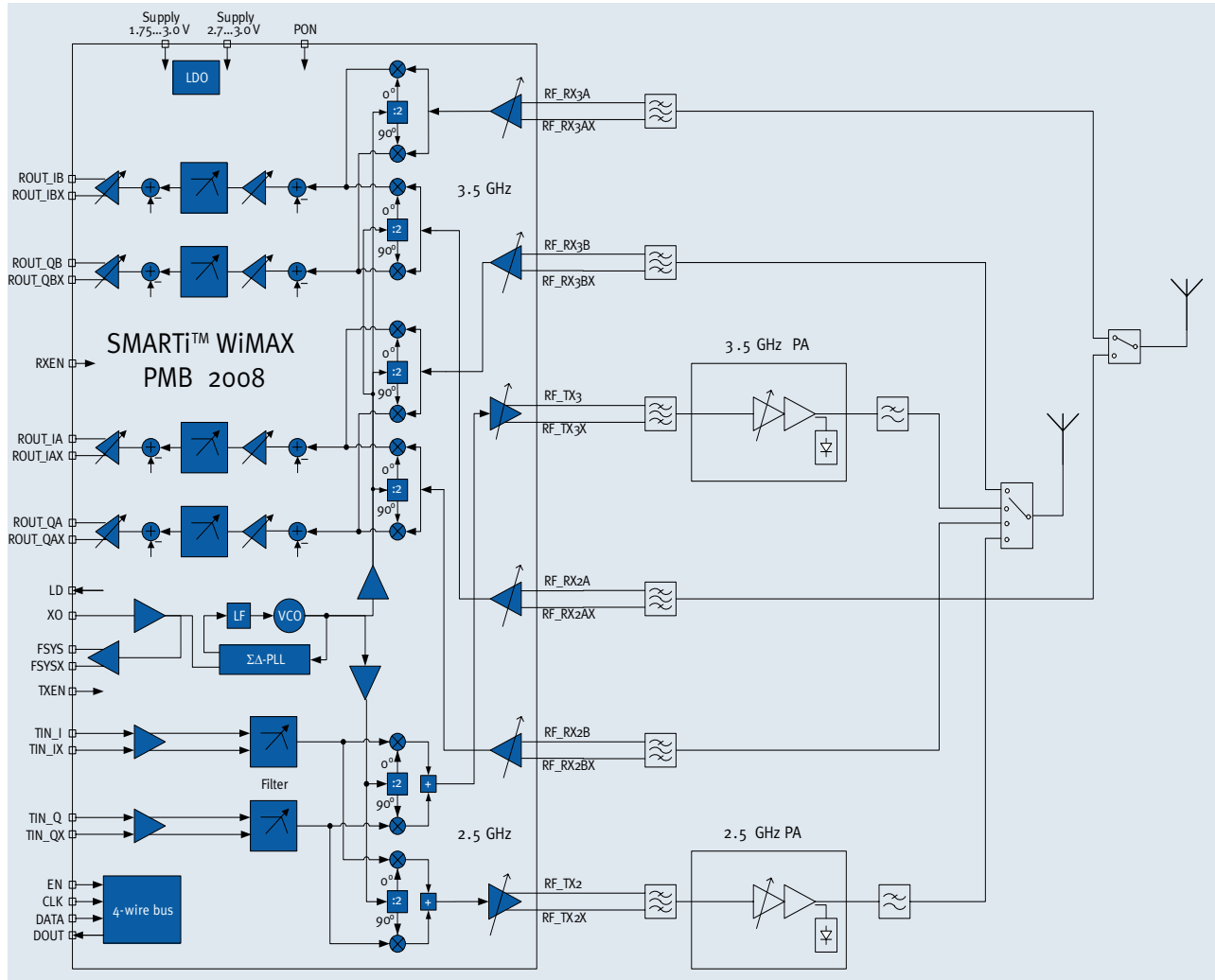
www.infineon.com/RFengine

Communication Solutions



Never stop thinking

Typical Dual Band RF Engine Block Diagram



How to reach us:

<http://www.infineon.com>

Published by
Infineon Technologies AG
81726 Munich, Germany

© 2008 Infineon Technologies AG
All Rights Reserved.

Legal Disclaimer

The information given in this Product Brief shall in no event be regarded as a guarantee of conditions or characteristics. With respect to any examples or hints given herein, any typical values stated herein and/or any information regarding the application of the device, Infineon Technologies hereby disclaims any and all warranties and liabilities of any kind, including without limitation, warranties of non-infringement of intellectual property rights of any third party.

Information

For further information on technology, delivery terms and conditions and prices, please contact the nearest Infineon Technologies Office (www.infineon.com).

Warnings

Due to technical requirements, components may contain dangerous substances. For information on the types in question, please contact the nearest Infineon Technologies Office.

Infineon Technologies components may be used in life-support devices or systems only with the express written approval of Infineon Technologies, if a failure of such components can reasonably be expected to cause the failure of that life-support device or system or to affect the safety or effectiveness of that device or system. Life support devices or systems are intended to be implanted in the human body or to support and/or maintain and sustain and/or protect human life. If they fail, it is reasonable to assume that the health of the user or other persons may be endangered.