

VS-04-2X2X26C7/7-SDA/OE/5,0

Order No.: 1655797

<http://eshop.phoenixcontact.de/phoenix/treeViewClick.do?UID=1655797>

Assembled USB cable, shielded, color: RAL 5021 (water blue), PUR
outer sheath, USB type A/standard on open cable end, length: 5 m

Commercial data	
EAN	4017918993887
Pack	1 pcs.
Customs tariff	85369010
Weight/Piece	0.3231 KG
Catalog page information	Page 311 (PC-2009)

Product notes

WEEE/RoHS-compliant since:
03/15/2007

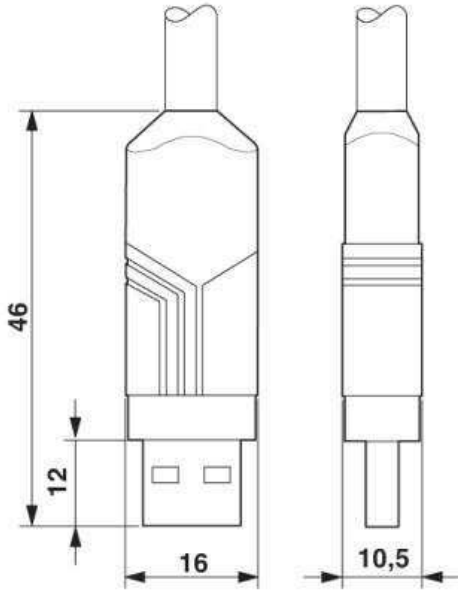


[http://
www.download.phoenixcontact.com](http://www.download.phoenixcontact.com)
Please note that the data given
here has been taken from the
online catalog. For comprehensive
information and data, please refer
to the user documentation. The
General Terms and Conditions of
Use apply to Internet downloads.

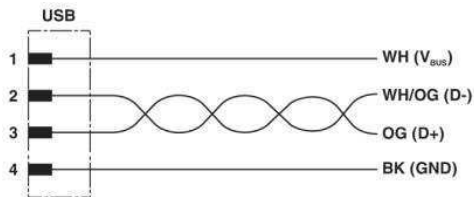
Drawings

Dimensioned drawing

USB plug connector, type A, Standard



Circuit diagram



Address

PHOENIX CONTACT GmbH & Co. KG
Flachsmarktstr. 8
32825 Blomberg, Germany
Phone +49 5235 3 00
Fax +49 5235 3 41200
<http://www.phoenixcontact.com>



© 2009 Phoenix Contact
Technical modifications reserved;