

RMOB-JR Relay Base

Data Sheet 1178A

June 2000

Features

- Pluggable base for 8 or 11 pin socket style relays
- 45 mm wide (1.77 in.)
- 1 PDT, 2 PDT, 3 PDT contact connections
- Base styles for both 5A and 10A contact ratings
- DIN-rail mountable with universal foot
- Separation of coil and contact wiring
- Built in damping diode circuit for DC input voltages
- Status indication lamp

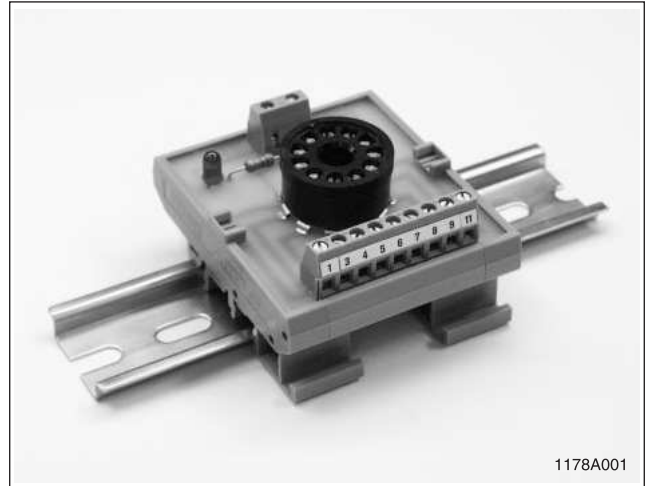


Figure 1. RMOB-JR-2 Relay Base

Description

The RMOB-JR series of relay bases from Phoenix Contact allows for a variety of pluggable octal style relays to be used in a single DIN-rail mountable base.

The 8 pin style octal base will accept up to a 2 PDT contact relay. The 11 pin style octal base will accept up to a 3 PDT contact relay.

The RMOB-JR universal relay base can be used with any coil voltage. For reduction of inventory costs coil status indication bases are available for both 24 V dc and 120 V ac relays, eliminating the need to purchase relays with indicators.

The DIN-rail mounted design provides another benefit; the separation of coil and contact wiring. This will eliminate the likelihood of faulty triggering from interference between the coil and contact wiring.

Table 1. RMOB-JR Relay Base Specifications

General Specifications	
Technical Data	
Contact rating (standard terminals).....	5 A @ 250 V ac
with MKDS5 terminals.....	10 A @ 250 V ac
Coil rating used	dependant on relay
General	
Wire size (standard terminals).....	30 - 12 AWG
with MKDS5 terminals	24 - 10 AWG
Operating temperature	-20°C to 65°C
Electrical life	relay specific
Isolation (coil and contact)	relay specific
Dimensions	
Height	1.55 in. (39.3 mm)
Width	1.77 in. (8 pin) (45 mm)
	2.66 in. (11 pin) (67.5 mm)
Depth	3.03 in. (77 mm)

1178A002

RMOB-JR Relay Base

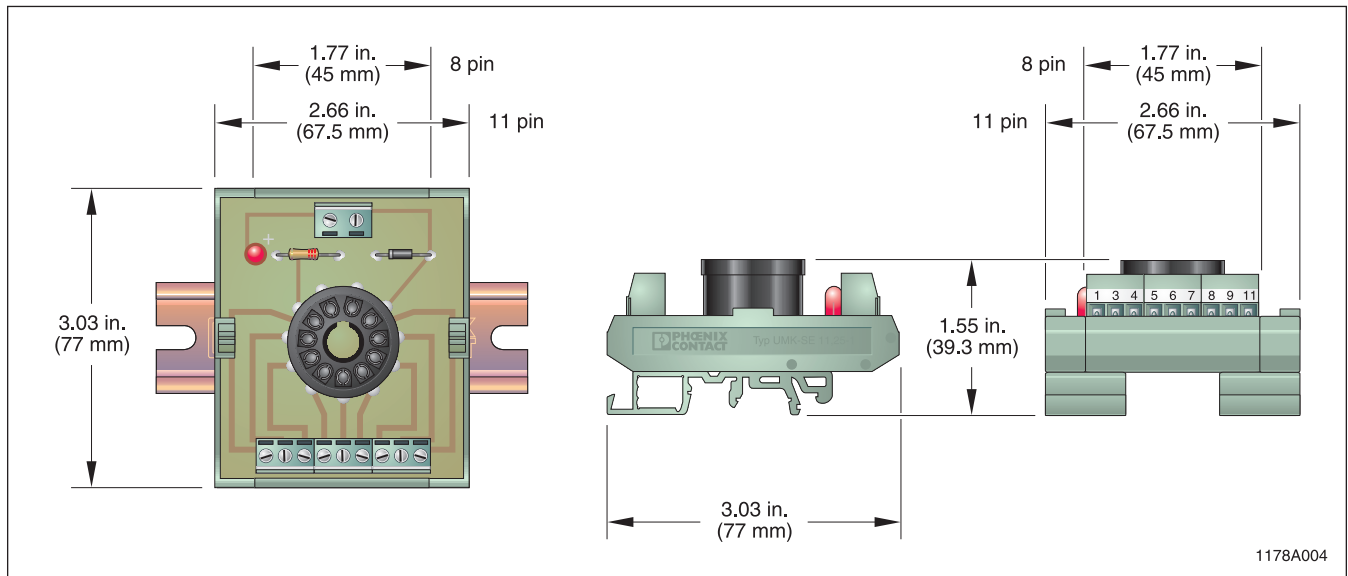


Figure 2. RMOB-JR-2 Relay Base Dimensions

Ordering Information

RMOB-JR-1	70 01 21 4
8 pin octal socket relay base for use with relays up to 2 PDT	
RMOB-JR-1-MKDS5	56 01 97 8
8 pin octal socket relay base for use with relays up to 2 PDT with larger terminal blocks for 10A current rating on contact side	
RMOB-JR-1-24	70 01 43 8
8 pin octal socket relay base with LED for 24 V dc control circuits	
RMOB-JR-1-24DC-MKDS5	56 01 97 5
8 pin octal socket relay base with LED for 24 V dc control circuits and larger terminal blocks for 10A current rating on contact side	
RMOB-JR-1-120	56 01 69 9
8 pin octal socket relay base with LED for 120 V ac control circuits	
RMOB-JR-1-120AC-MKDS5	56 01 97 4
8 pin octal socket relay base with indication for 120 V ac control circuits and larger terminal blocks for 10A current rating on contact side	
RMOB-JR-2	70 01 21 3
11 pin octal socket relay base for use with relays up to 3 PDT	
RMOB-JR-2-24	70 01 43 9
11 pin octal socket relay base with LED for 24 V dc control circuits	
RMOB-JR-2-24DC-MKDS5	56 0-1 97 7
11 pin octal socket relay base with LED for 24 V dc control circuits and larger terminal blocks for 10A current rating on contact side	
RMOB-JR-2-120	70 04 57 0
11 pin octal socket relay base with indication for 120 V ac control circuits	
RMOB-JR-2-120AC-MKDS5	56 01 97 6
11 pin octal socket relay base with indication for 120 V ac control circuits and larger terminal blocks for 10A current rating on contact side	

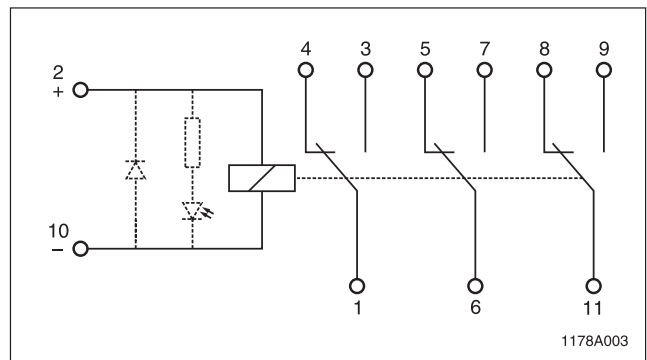


Figure 3. RMOB-JR-2 Relay Base Block Diagram

Headquarters, U.S.

Phoenix Contact Inc.
P.O. Box 4100
Harrisburg, PA 17111-0100
Technical Support and Information: (800) 322-3225
Fax: (717) 948-3475
Fax-On-Demand: (800) 944-9901
Email: info@phoenixcon.com
Web Site: <http://www.phoenixcon.com>

Headquarters, Canada

Phoenix Contact Ltd.
235 Watline Avenue
Mississauga, Ontario L4Z 1P3
Phone: (905) 890-2820
Fax: (905) 890-0180

The information given herein is based on data believed to be reliable, but Phoenix Contact Inc. makes no warranties expressed or implied as to the accuracy and assumes no liability arising out of its use by others. This publication is not to be taken as license to operate under, or recommendation to infringe, any patent.