

# PSR-SCP- 24DC/FSP/1X1/1X2

Order No.: 2981978



<http://eshop.phoenixcontact.de/phoenix/treeViewClick.do?UID=2981978>


Coupling relay for failsafe PLC with an undelayed NO contact and an undelayed NC contact.



Commercial data	
GTIN (EAN)	4046356448352
sales group	G501
Pack	1 pcs.
Customs tariff	85364900
Weight/Piece	0.1575 KG
Catalog page information	Page 23 (IF-2009)

**Product notes**

WEEE/RoHS-compliant since: 04/24/2009



<http://www.download.phoenixcontact.com>  
 Please note that the data given here has been taken from the online catalog. For comprehensive information and data, please refer to the user documentation. The General Terms and Conditions of Use apply to Internet downloads.

Technical data	
<b>Input data</b>	
Nominal input voltage $U_N$	24 V DC
Input voltage range in reference to $U_N$	0.85 ... 1.1
Typical input current at $U_N$	55 mA
Typical inrush current	100 mA

Typical response time	50 ms
Typical release time	50 ms
Recovery time	1 s

**Output data**

Contact type	1 enabling current path undelayed, 1 confirmation current path undelayed
Contact material	AgCuNi, + 0.2 µm Au
Maximum switching voltage	250 V AC/DC
Minimum switching voltage	15 V AC/DC
Limiting continuous current	5 A (N/O contact, pay attention to the derating) 100 mA (N/C contact)
Maximum inrush current	5 A
Inrush current, minimum	5 mA
Sq. Total current	25 A <sup>2</sup> (observe derating)
Interrupting rating (ohmic load) max.	120 W (24 V DC, τ = 0 ms, N/C contact: 2.4 W) 144 W (48 V DC, τ = 0 ms, N/C contact: 4.8 W) 66 W (110 V DC, τ = 0 ms, N/C contact: 11 W) 60 W (220 V DC, τ = 0 ms, N/C contact: 22 W) 1250 VA (250 V AC, τ = 0 ms, N/C contact: 25 VA)
Maximum interrupting rating (inductive load)	72 W (24 V DC, τ = 40 ms, N/C contact: 2.4 W) 36 W (48 V DC, τ = 40 ms, N/C contact: 4.8 W) 36 W (110 V DC, τ = 40 ms, N/C contact: 11 W) 48 W (220 V DC, τ = 40 ms, N/C contact: 22 W)
Switching capacity min.	75 mW
Output fuse	5 A T fuse

**General data**

Width	17.5 mm
Height	114.5 mm
Depth	99 mm
Ambient temperature (operation)	-20 °C ... 55 °C
Ambient temperature (storage/transport)	-40 °C ... 70 °C
Relay type	Electromechanically positively driven, dust-proof relay.
Service life mechanical	Approx. 10 <sup>7</sup> cycles
Mounting position	Any
Assembly instructions	In rows with zero spacing

---

Category in acc. with EN 954-1	4
Stop category	0
Name	Air and creepage distances between the power circuits
Standards/regulations	DIN EN 50178
Rated surge voltage / insulation	6 kV / Safe isolation, increased insulation
Rated insulation voltage	250 V AC
Pollution degree	2
Surge voltage category	III

**Connection data**

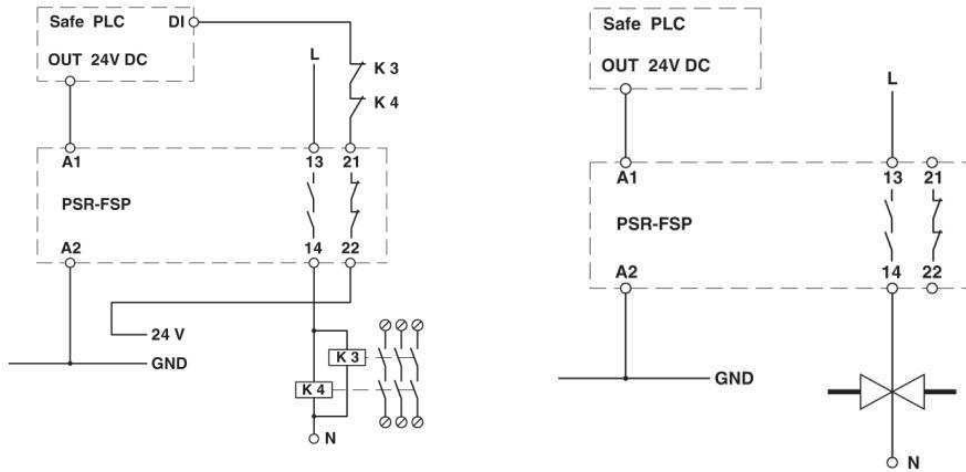
Conductor cross section solid min.	0.2 mm <sup>2</sup>
Conductor cross section solid max.	2.5 mm <sup>2</sup>
Conductor cross section stranded min.	0.2 mm <sup>2</sup>
Conductor cross section stranded max.	2.5 mm <sup>2</sup>
Conductor cross section AWG/kcmil min.	24
Conductor cross section AWG/kcmil max	12
Stripping length	7 mm
Screw thread	M3
Type of connection	Screw connection

**Certificates / Approvals**

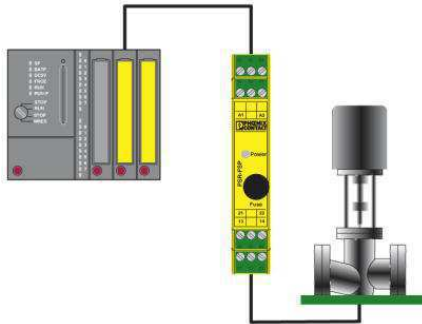
Certification	TUEV-RH
Certifications applied for:	UL Listed / CUL Listed

## Diagrams/Drawings

### Connection diagram

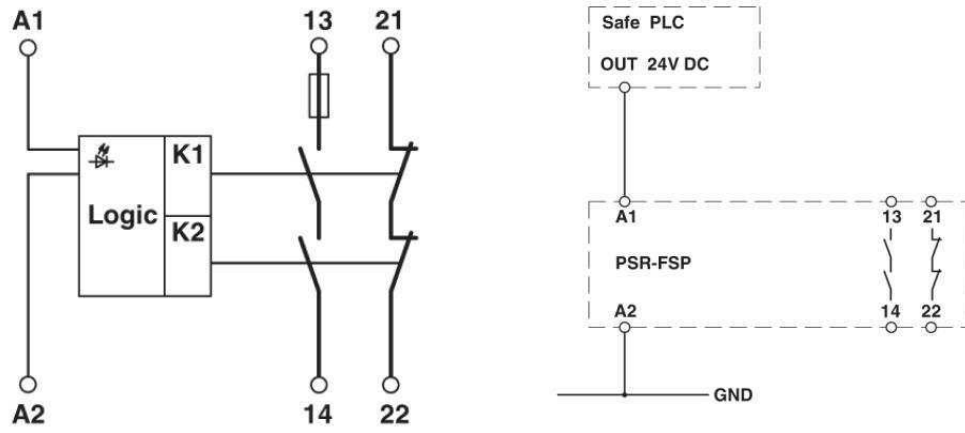


### Application drawing



Example of electrical isolation of a safety PLC output from the field.

Circuit diagram



**Address**

PHOENIX CONTACT Inc., USA  
586 Fulling Mill Road  
Middletown, PA 17057, USA  
Phone (800) 888-7388  
Fax (717) 944-1625  
<http://www.phoenixcon.com>



© 2010 Phoenix Contact  
Technical modifications reserved;