

2650PC4000 Emulator

Board for 2656

GENERAL DESCRIPTION

The PC4000 is a circuit emulation of the 2656, a 40-pin NMOS-LSI system memory interface chip. The PC4000, in circuit board form, offers the engineer a system design aid. By designing with the PC-board emulator, specific ROM and PGA (programmable gate array) patterns can be determined for the user's application.

In utilizing the PC4000, the engineer-designer is able to implement the same functions as the 2656. Through a cable and 40-pin plug with a pin configuration identical to the 2656, the user connects the PC4000 directly into his prototype system. He can access the 128x8 RAM, the preprogrammed ROM, and the gate array. The user can simulate the eight multi-function ports either as I/O ports or chip enables, the power-on reset, and the clock generator and divider.

The PC4000 emulator contains the same circuits that are available to the user on the 2656 Systems Memory Interface chip. Functionally the PC4000 replaces the 2656 in the user's prototyping system through a pin-for-pin compatible plug and its 40-wire ribbon cable attached to the PC4000. Identical circuit functionality of the 2656 chip is provided to the user by the functions of the PC Board.

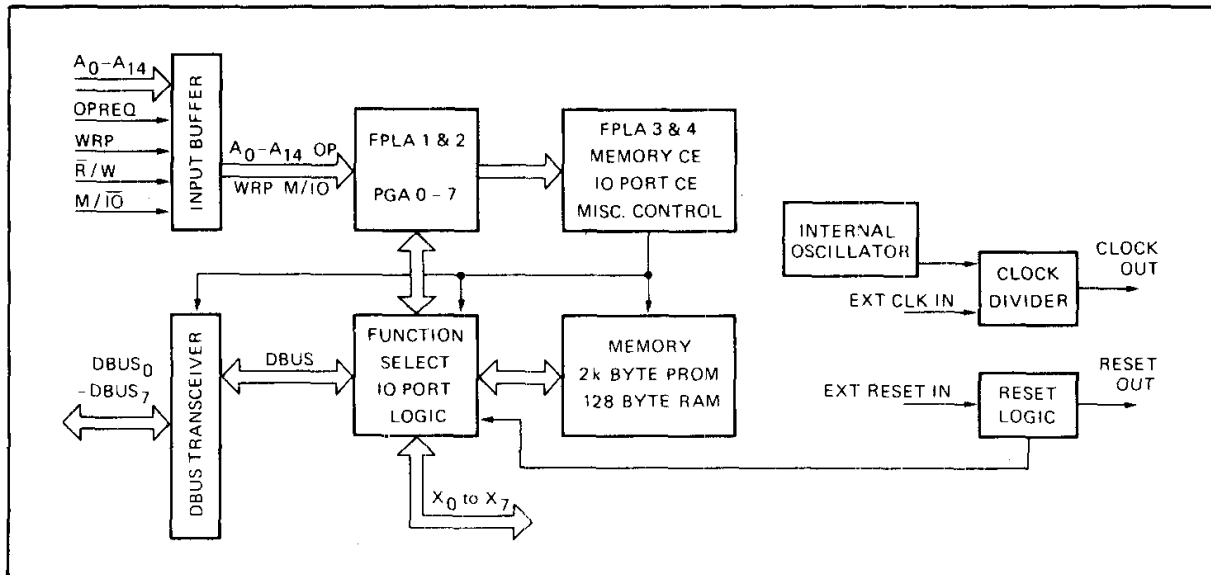
In emulating the 2656, the speed of the board circuitry is equivalent to or faster than the on-chip circuitry. ROM is implemented with bipolar PROMs and on-chip RAM is implemented with the bipolar RAM packages. The programmable gate array (PGA) for the selection of the ROM and RAM enables and the I/O function selects are implemented with field programmable logic arrays (FPLAs).

The oscillator provided on the PC4000 has the same frequency dividers available as on the 2656. The oscillator divide ratio is implemented by the toggle switch settings.

REFERENCE TABLE

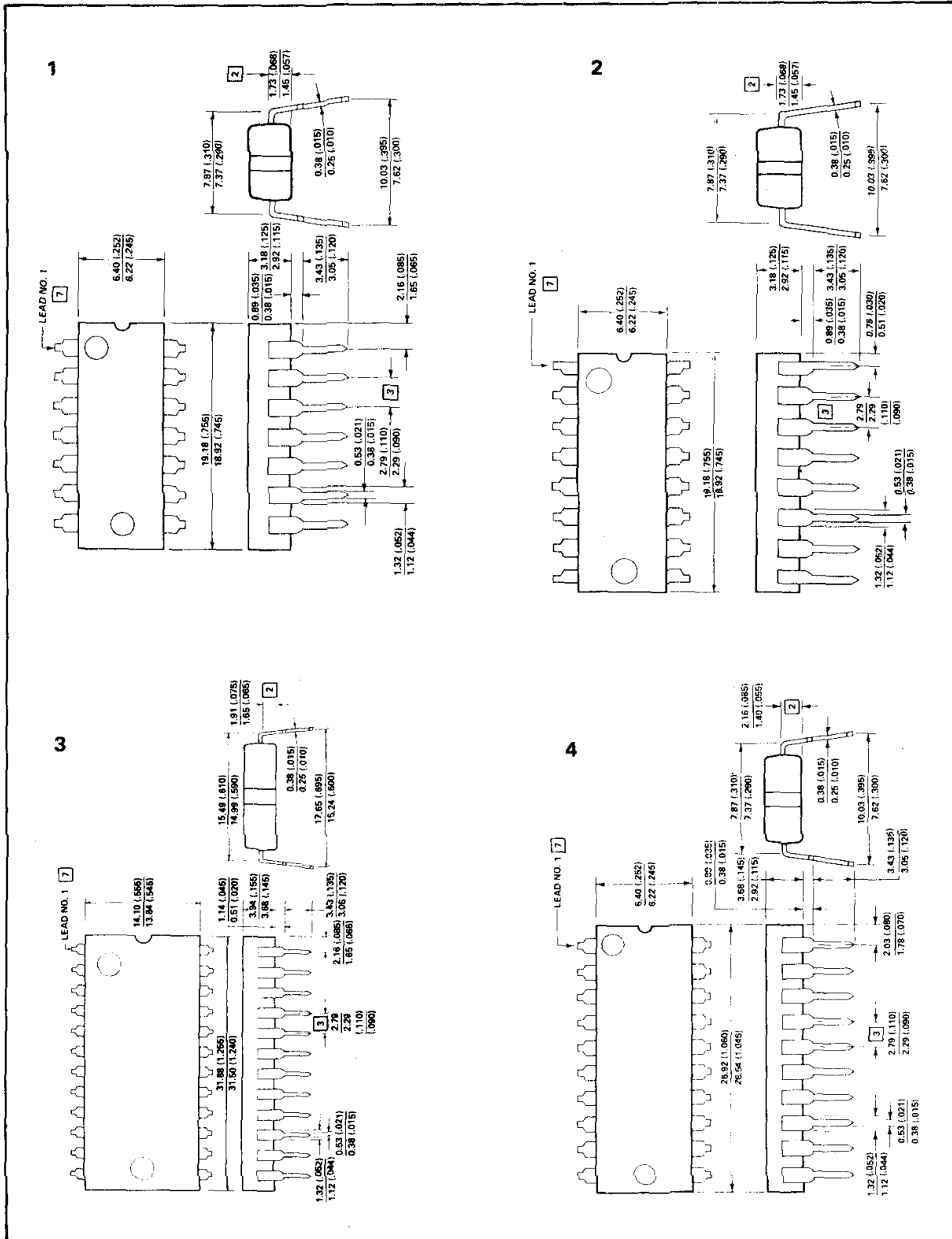
TYPE NO.	STOCK NO.
2650PC4000	56410E

BLOCK DIAGRAM



PLEASE QUOTE STOCK NO.
AND MANUFACTURERS PART NO. WHEN ORDERING



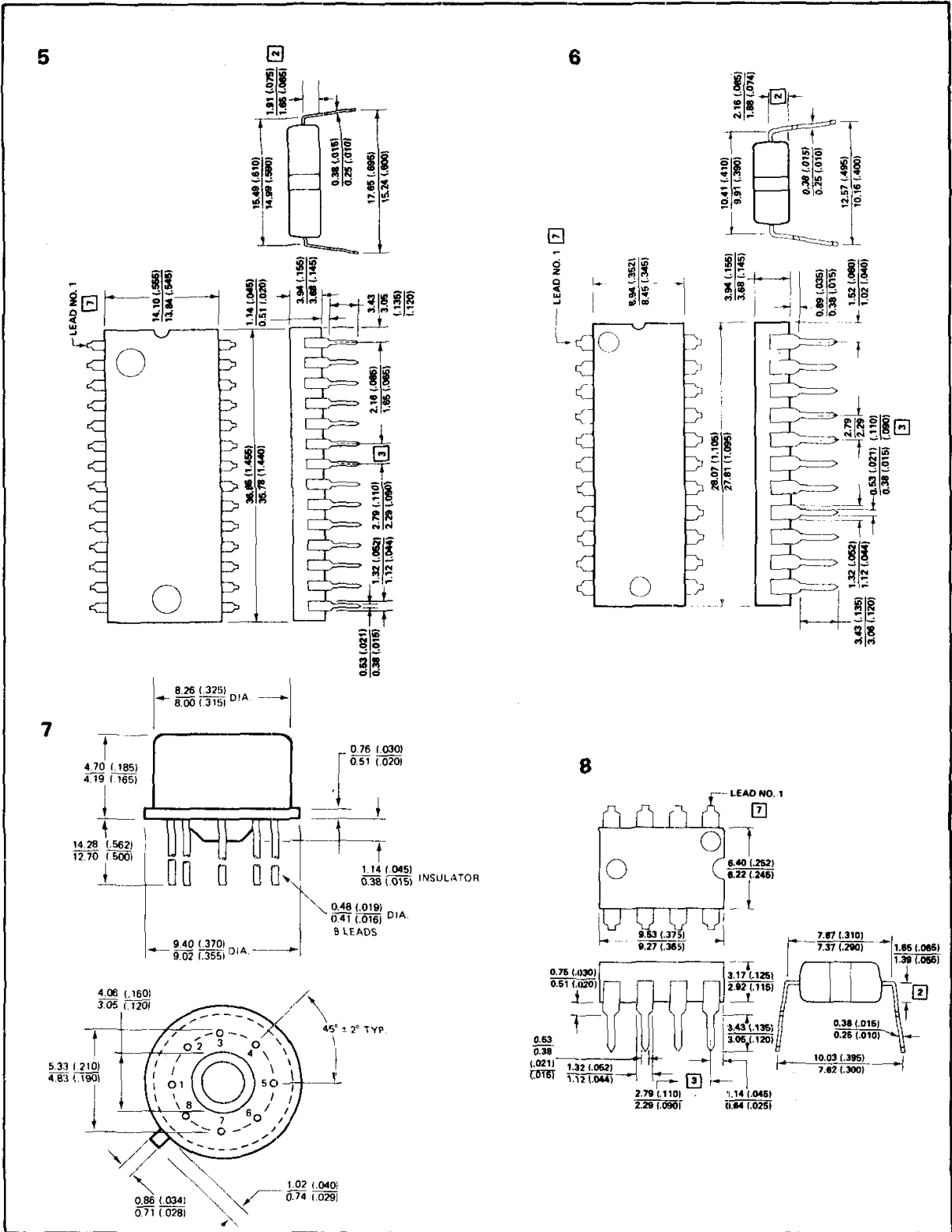


PLEASE QUOTE STOCK NO.
AND MANUFACTURERS PART NO. WHEN ORDERING



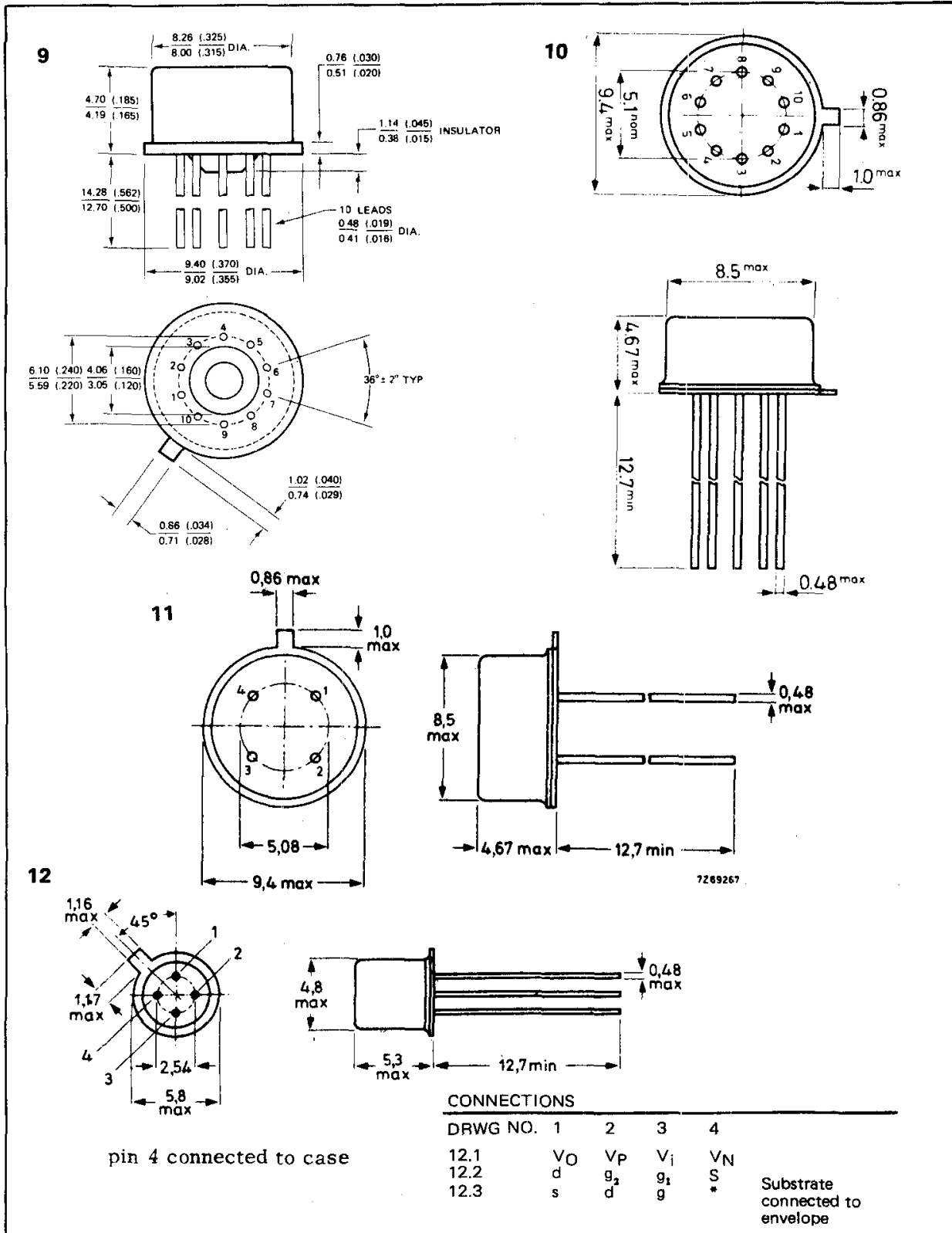
Signetics

Outline Drawings



ITT GEMINI

FOR CURRENT PRICES PHONE
HARLOW (0279) 29644

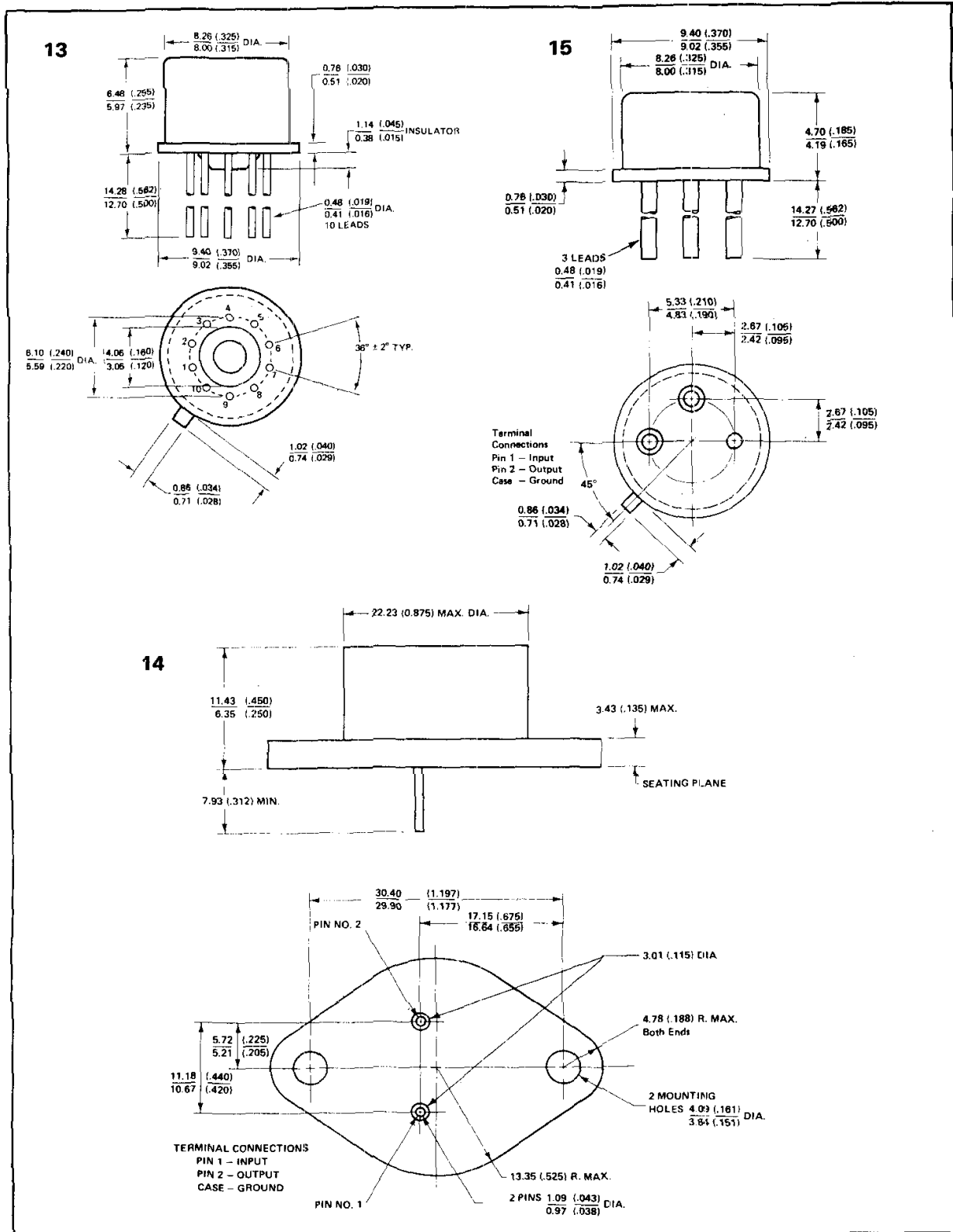


PLEASE QUOTE STOCK NO.
AND MANUFACTURERS PART NO. WHEN ORDERING

ITT GEMINI

Signetics

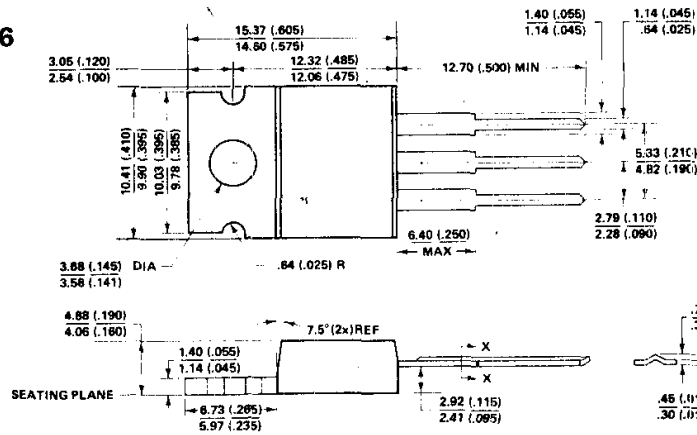
Outline Drawings



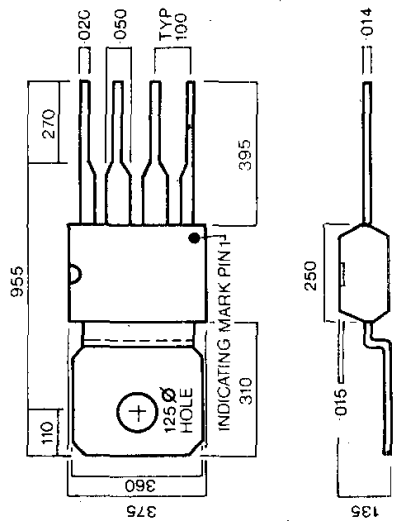
GEMINI

FOR CURRENT PRICES PHONE HARLOW (0279) 29644

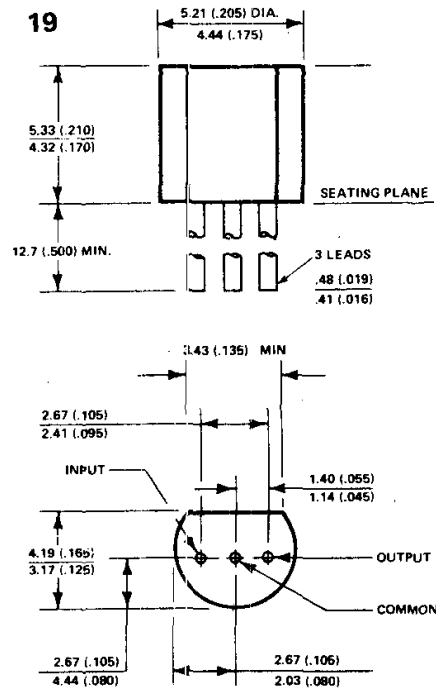
16



17



19



PLEASE QUOTE STOCK NO.
AND MANUFACTURERS PART NO. WHEN ORDERING

ITT GEMINI

