



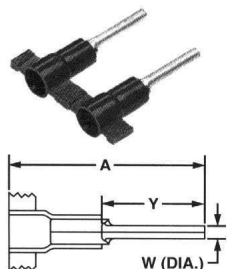
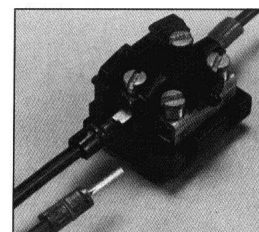
# PANDUIT® REEL SMART™ Termination System

Reel Fed Pin Terminals, Blade Adapters, Butt Splices — Vinyl and Nylon

## Pin Terminals, Vinyl Insulated

- Funnel Entry
- Plastic Insulation Crimp

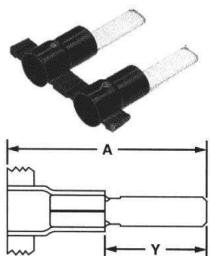
Pin Terminals and Male Blade Adapters are used to adapt stranded wire to a solid metal contact for pressure type terminal blocks.



PANDUIT® Part Number	Wire Range	Color Code	Max. Ins.	Dimensions (In.)			CA9 Series Crimp Die	CA-800 Series Crimp Die	Pieces Per Reel
				A	W	Y			
PV18-P47B-3K	22-18	Red	.155	.89	.08	.47	CD9-1A	CD-800-1	3000
PV14-P47B-3K	16-14	Blue	.180	.89	.08	.47	CD9-2A	CD-800-2	3000

## Male Blade Adapters, Vinyl Insulated

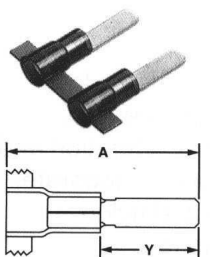
- Funnel Entry
- Plastic Insulation Crimp



PANDUIT Part Number	Wire Range	Color Code	Max. Ins.	Dimensions (In.)		Tab Size	CA9 Series Crimp Die	CA-800 Series Crimp Die	Pieces Per Reel
				A	Y				
DV18-145MB-3K	22-18	Red	.155	.90	.42	.145 X .032	CD9-1A	CD-800-1	3000
DV14-145MB-3K	16-14	Blue	.175	.90	.42	.145 X .032	CD9-2A	CD-800-2	3000

## Male Blade Adapters, Nylon Insulated

- Funnel Entry
- Metal Insulation Grip Sleeve



PANDUIT Part Number	Wire Range	Color Code	Max. Ins.	Dimensions (In.)		Tab Size	CA9 Series Crimp Die	CA-800 Series Crimp Die	Pieces Per Reel
				A	Y				
DNF18-145M-3K	22-18	Red	.140	.90	.42	.145 X .032	CD9-1A	CD-800-1	3000
DNF14-145M-3K	16-14	Blue	.165	.90	.42	.145 X .032	CD9-2A	CD-800-2	3000

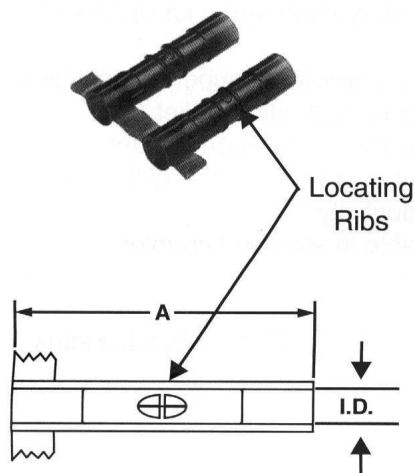
Order number of pieces required, in multiples of standard reel quantity. Prime items appear in **BOLD**.

## Butt Splices, Nylon Insulated

- One side machine applied termination replaces manual crimping
- Available with insulation crimp premium grade nylon
- Barrel locating ribs provide for accurate hand tool placement
- Brazed seam with center wire stop for increased performance and productivity
- Funnel entry on machine termination side to increase productivity
- Also hand crimped with PANDUIT CT-100 or CT-1550/CT-1551 Crimping Tools



PANDUIT REEL SMART Butt Splices are used for fast termination for motor leads or any high volume in-line splice applications.



PANDUIT Part Number	Wire Range	Color Code	Max. Ins.	Dimensions (In.)		CA9 Series Crimp Die	CA-800 Series Crimp Die	Pieces Per Reel
				A	I.D.			
<b>INSULATION SUPPORT (STANDARD NYLON)</b>								
<b>BSN18-3K</b>	22-16	Red	.15	.95	.05	CD9-1A	CD-800-1	3000
<b>BSN14-3K</b>	18-14	Blue	.17	.95	.07	CD9-2A	CD-800-2	3000
<b>BSN10-2K</b>	12-10	Yellow	.23	.95	.12	CD9-17B	CD-800-17	2000
<b>PLASTIC INSULATION CRIMP (PREMIUM NYLON)</b>								
<b>BSP18-3K</b>	22-16	Red	.15	.96	.05	CD9-1A	CD-800-1	3000
<b>BSP14-3K</b>	18-14	Blue	.17	.96	.07	CD9-2A	CD-800-2	3000

Order number of pieces required, in multiples of standard reel quantity. Prime items appear in **BOLD**.