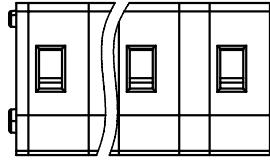
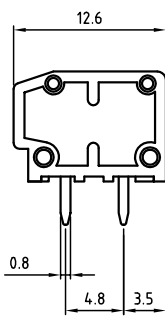
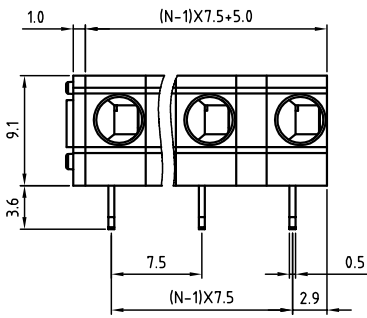


SIGN	DATE	DESCRIPTION	APPROVER
THIS IS CAD DRAWING, DO NOT REVISE MANUALLY!!!			

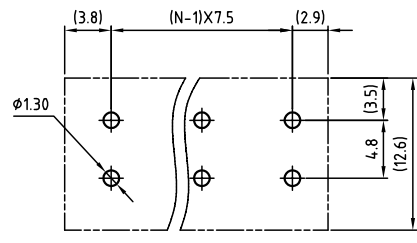


- Material**
- Terminal body (Contact pin): Brass
 - Wire guard: Stainless steel
 - Surface of solder tail: Tin plated
 - Insulator (housing): Thermoplastic (UL94V-0)
- Electrical cULus**
- Voltage rating: 300VAC
 - Current rating: 10A
 - Wire range:
 - Solid wire(AWG): 14-20
 - Stranded wire(AWG): 14-20
 - Wire strip length: 6-7mm
 - Withstanding Voltage: 1.6KV
 - Operating temperature: -30°C to +105°C
 - Soldering temperature: 250°C±10°C/5 Sec
 - Safety Approval: cULus
- RoHS Compliant



N=NUMBER OF CONTACTS

- PART NUMBER**
OSTHBXX2181
- | | |
|---------------------|--------------------|
| No. of Poles | COLOR |
| 02 2 Poles | 0: Black |
| 03 3 Poles | 5: Green |
| 12 12 Poles | 6: Blue |
| | 8: Grey (Standard) |



P.C.B. LAYOUT

THESE DRAWINGS AND SPECIFICATIONS ARE THE PROPERTY OF ON-SHORE TECHNOLOGY, INC. AND SHALL NOT BE REPRODUCED, COPIED OR USED IN ANY MANNER WITHOUT THE PRIOR WRITTEN CONSENT OF ON-SHORE TECHNOLOGY, INC.

ON-SHORE TECHNOLOGY, INC.									
TITLE		OSTHB - 7.5mm series single wire w/o lever							
PART NO.	OSTHBXX2181	DWG NO.	OSTHBXX2181.DWG						
APPROVED	CHECKED	DESIGNED	DRAWN	CUST NO.	Tolerance				
Shi Jun 2006.11.01	Marvin 2006.11.01	Marvin 2006.11.01	Marvin 2006.11.01		UNIT: mm	X.	±0.50	X.X	±0.30
					SCALE: NONE	X.XX	±0.10	X*	±1*
					SHEET: 01/01	REV: E			