

2408NL (60[□] x 20^L)



EMINEBEA.COM

General Specifications

Motor Protection:

Auto Restart/Polarity Protection

Insulation Resistance: 10M Ω or over with a DC500V Megger

Dielectric Withstand Voltage: AC 700V 1s

Allowable Ambient Temperature Range:

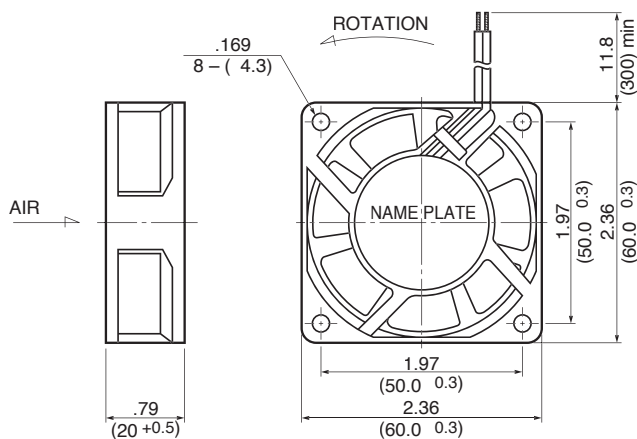
-10°C ~ +70°C (Operating)

-40°C ~ +70°C (Storage)

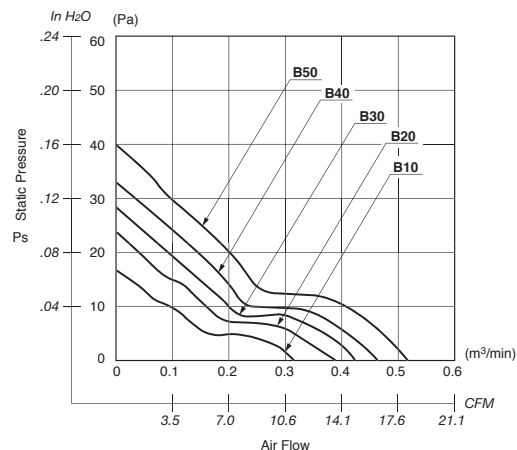
(non-condensing environment)

Outline

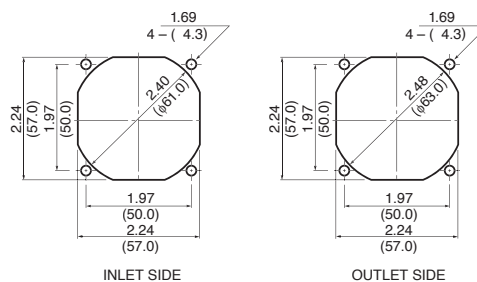
Units: $\frac{\text{inch}}{\text{(mm)}}$



Characteristic Curves



Panel Cut-outs



Material

Casing : Plastic (Black) 94V-0

Impeller : Plastic (Black) 94V-0

Bearing : Ball Bearing

Lead Wire : UL1007, AWG24, +Red, -Black

Specifications

MODEL	Product No.	Rated Voltage	Operating Voltage	Current	Input Power	Speed	Max. Air Flow		Max. Static Pressure		Noise	Mass
		(V)	(V)	(A) ^{*1}	(W) ^{*1}	(min ⁻¹) ^{*1}	CFM ^{*1}	(m ³ /min) ^{*1}	in H ₂ O	(Pa) ^{*1}	(dB) ^{*1}	(g)
2408NL-04W-B10-	X00	12	6.0 ~ 13.8	0.05	0.60	2800	10.9	0.31	.07	16.7	22.5	85
2408NL-04W-B20-	X00	12	6.0 ~ 13.8	0.07	0.84	3200	13.0	0.37	.09	23.5	25.5	85
2408NL-04W-B30-	X00	12	6.0 ~ 13.8	0.08	0.96	3600	14.8	0.42	.11	28.7	27.0	85
2408NL-04W-B40-	X00	12	6.0 ~ 13.8	0.09	1.08	4000	15.9	0.45	.13	33.2	29.0	85
2408NL-04W-B50-	X00	12	6.0 ~ 13.8	0.11	1.32	4400	17.6	0.50	.16	40.5	31.5	85
2408NL-05W-B10-	X00	24	15.0 ~ 27.6	0.04	0.96	2800	10.9	0.31	.07	16.7	22.5	85
2408NL-05W-B20-	X00	24	15.0 ~ 27.6	0.04	0.96	3200	13.0	0.37	.09	23.5	25.5	85
2408NL-05W-B30-	X00	24	15.0 ~ 27.6	0.045	1.08	3600	14.8	0.42	.11	28.7	27.0	85
2408NL-05W-B40-	X00	24	15.0 ~ 27.6	0.05	1.20	4000	15.9	0.45	.13	33.2	29.0	85
2408NL-05W-B50-	X00	24	15.0 ~ 27.6	0.055	1.32	4400	17.6	0.50	.16	40.5	31.5	85

Rotation: Counterclockwise

Airflow Outlet: Air Out Over Struts

*1: Average Values in Free Air