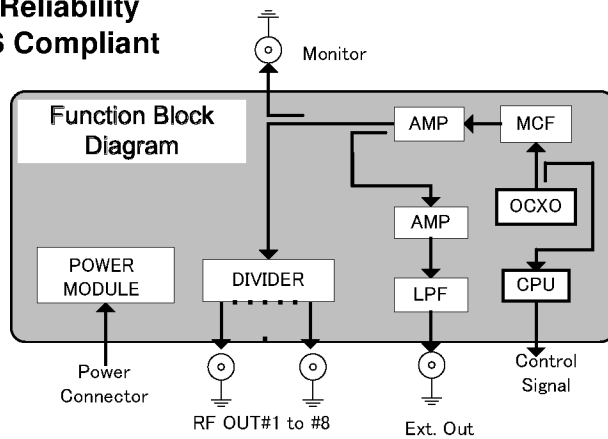


### Features;

- \* Ultra Low Phase Noise
- \* Low Spurious
- \* Extremely Pure Spectrum
- \* High Isolation (Typ. 30dB)
- \* High Reliability
- \* RoHS Compliant



RoHS Compliant  
Directive 2002/95/EC

### Specifications;

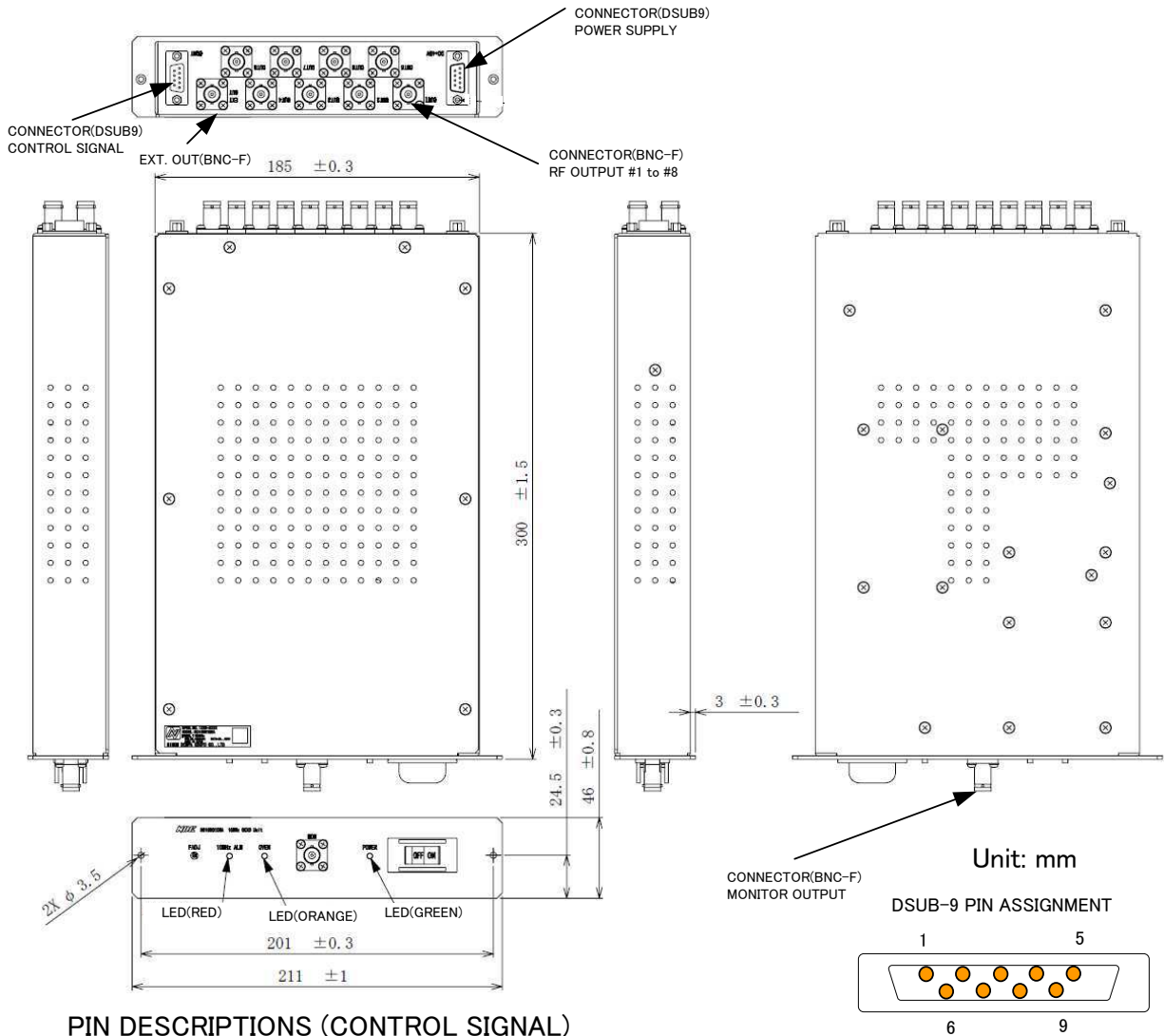
<b>Frequency:</b>	10MHz
<b>Number of Output:</b>	8 ports (Sinusoidal Wave & AC-coupled)
<b>Output Power:</b>	0dBm ± 1dB
<b>Frequency Stability;</b>	
Temp. and Power Supply Variation:	< ±10ppb
Aging:	*1 < ±50ppb/year
Warm-up:	*2 < ±100ppb
<b>Frequency Control:</b>	Min. ±500ppb
<b>Phase Noise;</b>	
@1Hz offset	< -93dBc/Hz
@10Hz offset	< -123dBc/Hz
@100Hz offset	< -133dBc/Hz
Integrated 100Hz to 1MHz	< -90dBc
<b>Spurious (Harmonics):</b>	< -30dBc
<b>Spurious (Others):</b>	< -50dBc
<b>Monitor Signal:</b>	Internal 10MHz Signal Sinusoidal Output, Output Level Range is 0dBm±3dB.
<b>LED Functions:</b>	Power ON, 10MHz Output Level Status, and OVEN Status
<b>Alarm Signals:</b>	Power Warning, 10MHz Output Level, and OVEN Warning
<b>External Output Power:</b>	13dBm±3dB
<b>Operating Temperature Range:</b>	-10 to +50 deg. C
<b>Interface;</b>	
RF connectors:	BNC-F
Control Signal and Power Connector:	D-SUB 9
<b>Power Supply Voltage (Power Consumption):</b>	DC+48V±15% (< 20VA)
<b>Dimensions:</b>	Width(211mm)×Depth(300mm)×Height(46mm)

Notes \*1 ±50ppb/year is based on frequency after 30 days operation.  
\*2 ±100ppb is satisfied within 10 minutes after power supply.

- ◆ Specifications described in this brochure are subject to be changed without notice for improvement.
- ◆ Custom-made specifications such as stability, aging and so on are available.  
Please contact NDK sales with your inquiries.

■ Contact Information ; For additional information about this product, please contact as follows;  
E-Mail at [yamagu@ndk.com](mailto:yamagu@ndk.com).

### Mechanical Outline



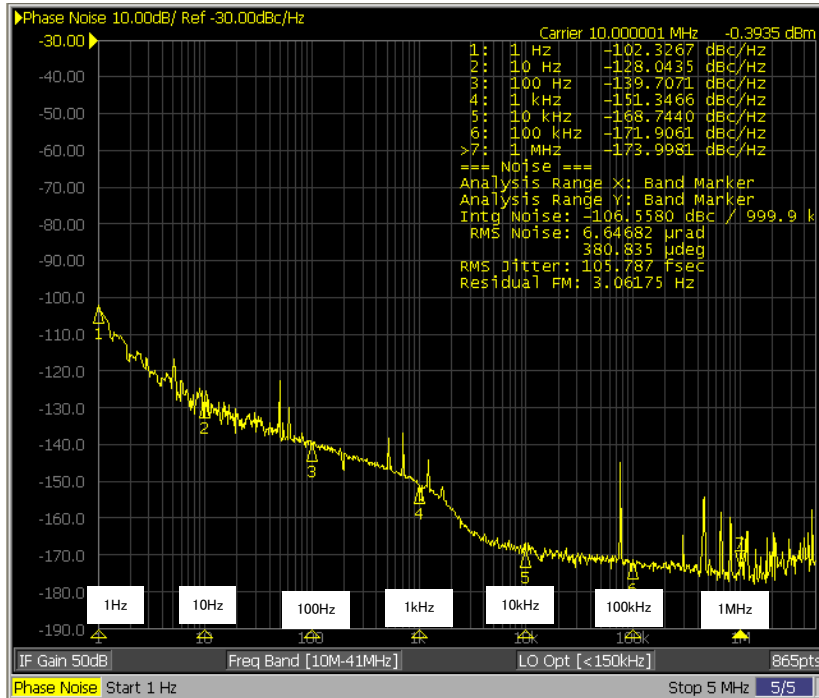
#### PIN DESCRIPTIONS (CONTROL SIGNAL)

#1	10MHz	10MHz output	alarm terminal	#7	Power Supply	Power supply alarm terminal indicates whether power supply is normal state or not.
#6	Output Alarm	indicates whether output level is normal state or not.		#8	Alarm	
#2	NC	Do not connect		#4	OVEN	OVEN terminal indicates heater movement state of the OCXO inside.
#3	NC	Do not connect		#9		
#5	GND					

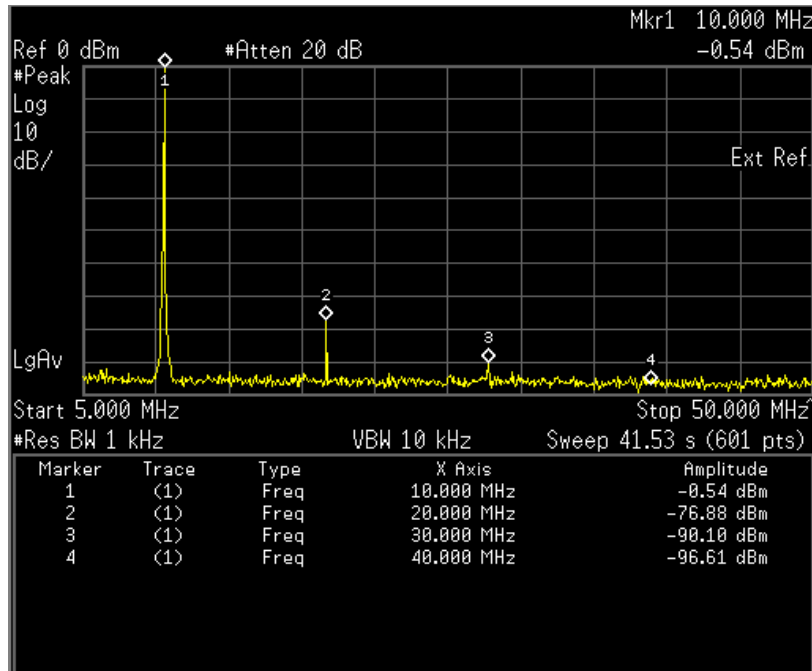
#### PIN DESCRIPTIONS (POWER SUPPLY)

#1	DC1	DC+48V(DC1) power supply input terminal	#6	DC2	DC+48V(DC2) power supply input terminal
#2	DC1		#7	DC2	
#3	NC	Do not connect	#8	GND	GND terminal of DC2
#4	GND	GND terminal of DC1	#9	GND	
#5	GND				

### Typical Phase Noise Characteristics



### Typical Spurious Characteristics



Harmonic Spurious Level (dBc)	2nd	-76.34
	3rd	-89.56