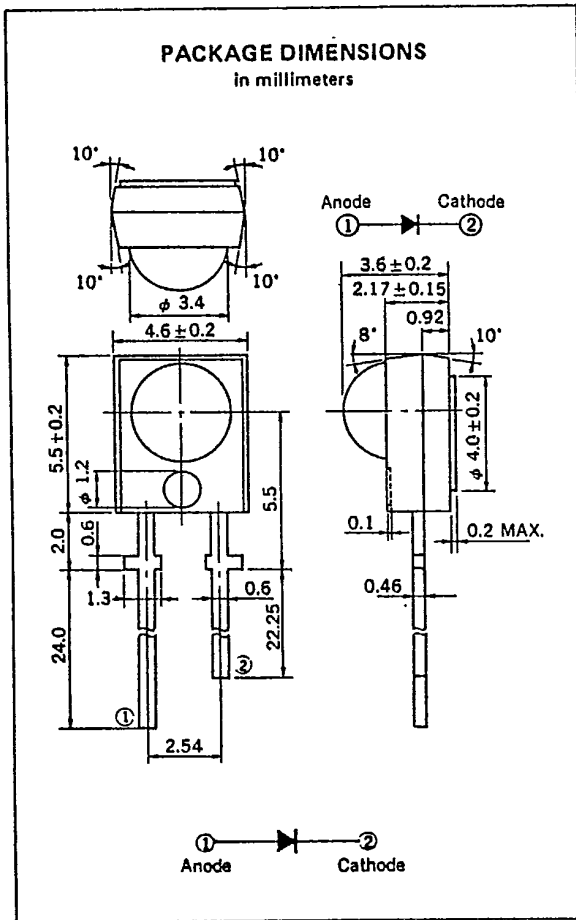




PHOTO DIODE
PH320

PLASTIC MOLDED PIN PHOTO DIODE

- NEPOC SERIES -



DESCRIPTION

PH320 is photo diode with PIN structure. It has a wide photo-receiving area and high speed response enabling applications for various remote controlling equipments. The resin material itself used for the package has filter effect to pass only infrared.

FEATURES

- Ultra high speed response. ($t_r, t_f \approx 30ns$)
- Coincidence of the wavelength of maximum sensitivity with that of an infrared LED. ($\lambda_{sMAX.} = 990nm$)
- High sensitivity. ($S_{IR} = 4.4\mu A$ TYP. @ $V_R = 5V, H = 0.1mW/cm^2$)
- Wide dynamic range.

ABSOLUTE MAXIMUM RATINGS

Maximum Reverse Voltage ($T_a = 25^\circ C$)	V_R	32	V
Maximum Power Dissipation ($T_a = 25^\circ C$)	P_D	150	mW
Maximum Temperatures			
Operating Temperature	T_{opt}	-30 to +85	$^\circ C$
Storage Temperature	T_{stg}	-40 to +100	$^\circ C$