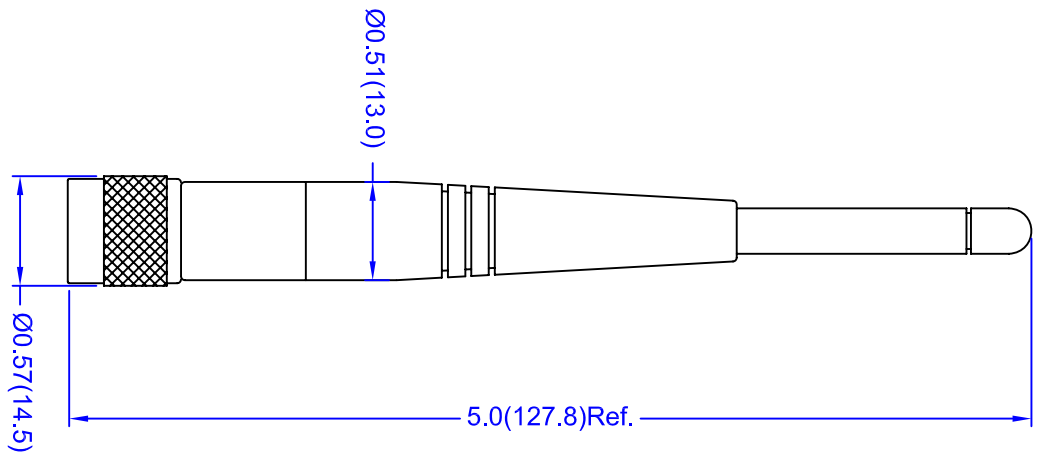


SMA type Connector



TNC type Connector

Electrical Properties:

- Frequency Range: 2.4~2.5 GHz
- Impedance: 50Ω nominal
- VSWR: <2.0:1
- Gain: 2 dBi
- Radiation: Omni
- Polarization: Vertical
- Wave: Half Wave Dipole

Mechanical Properties:

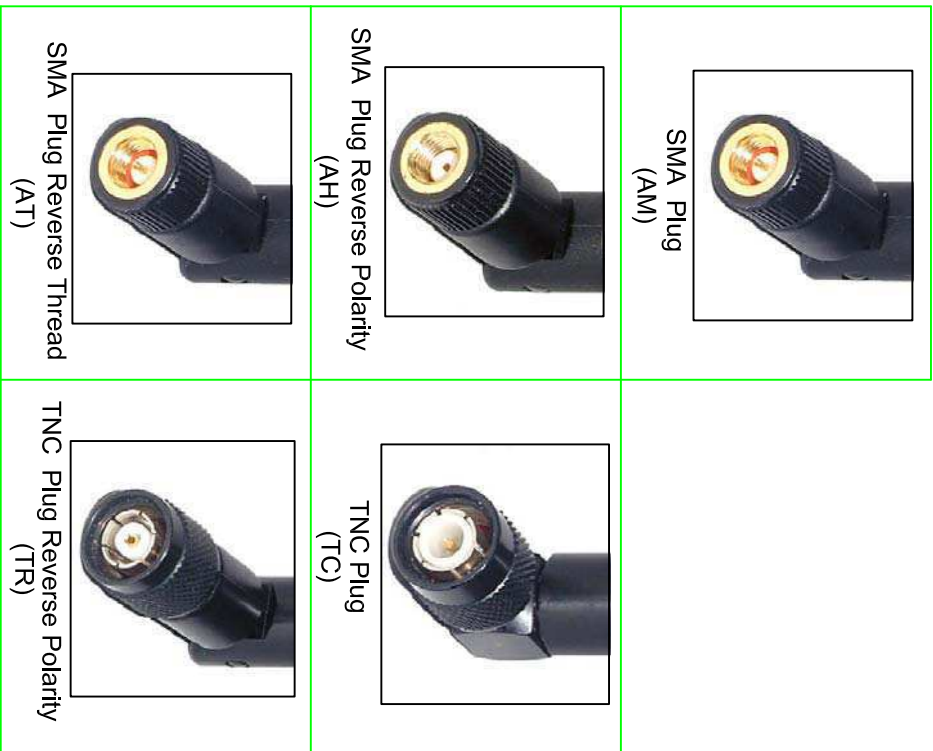
- Material: Polyurethane(Black)
- Whip: Brass with black chrome plating
- Connector: chrome plating
- Operation Temp.: -20°C to +65°C
- Storage Temp.: -30°C to +75°C

This is a RoHS compliant product.

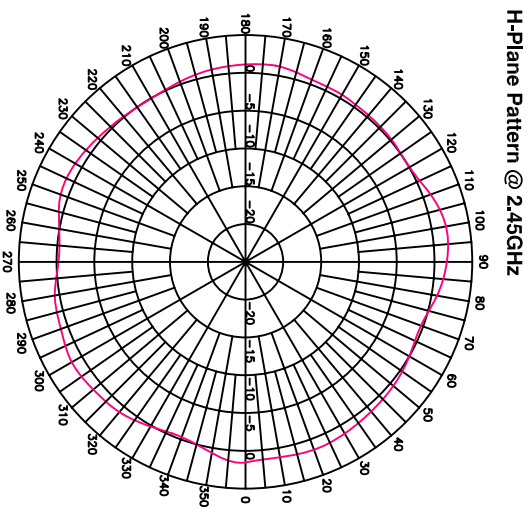
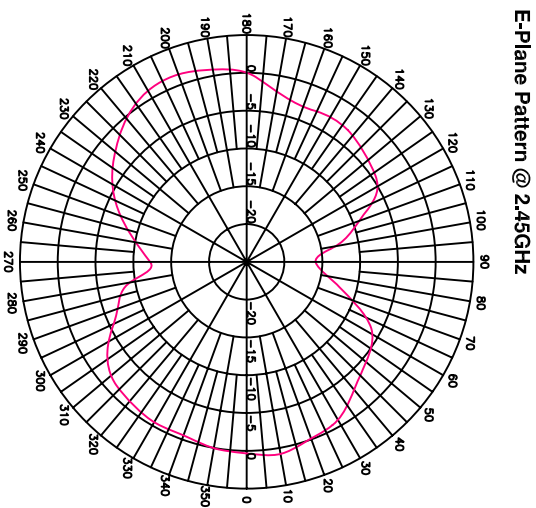
TITLE	2.4GHz Straight Antenna		Rev. Date	SHEET
UNIT	DWG. NO.	-181 Model	03/22/06	1 of 2
in.(mm)	S181XX - 2450			
SCALE	NEARSON			
1:1				

Series Part Numbers

Connector Code	Description	P / N
-XX-AM	SMA Plug	S181AM-2450
AH	SMA Plug Reverse Polarity	S181AH-2450
AT	SMA Plug Reverse Thread	S181AT-2450
TC	TNC Plug	S181TC-2450
TR	TNC Plug Reverse Polarity	S181TR-2450



Connector Interface



TITLE	2.4GHz Straight Antenna -181 Model		Rev. Date	03/22/06	SHEET	2 of 2
UNIT	in.(mm)		DWG. NO.	S181XX - 2450		
SCALE	none					
NEARSON						
http://www.nearson.com						