

## Series Part Numbers

Connector Code	Description	P / N
-XX-		
AM	SMA Plug	L324AM-434
AH	SMA Plug Reverse Polarity	L324AH-434

### Electrical Properties:

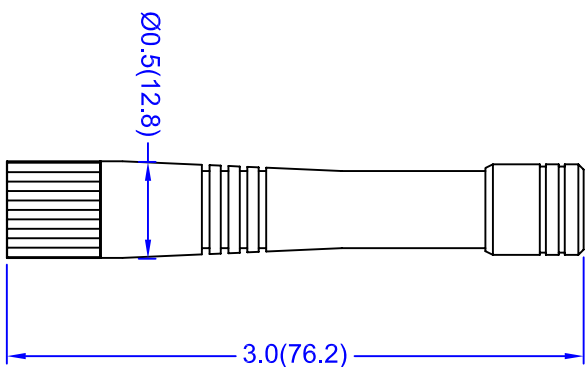
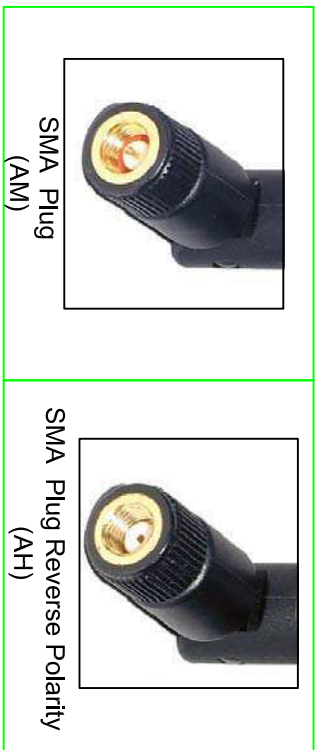
Frequency Range:	433~435 MHz
Impedance:	50-ohm nominal
VSWR:	<2.0:1
Gain:	0 dBi
Radiation:	Omni
Polarization:	Vertical
Wave:	1/4 wave

### Mechanical Properties:

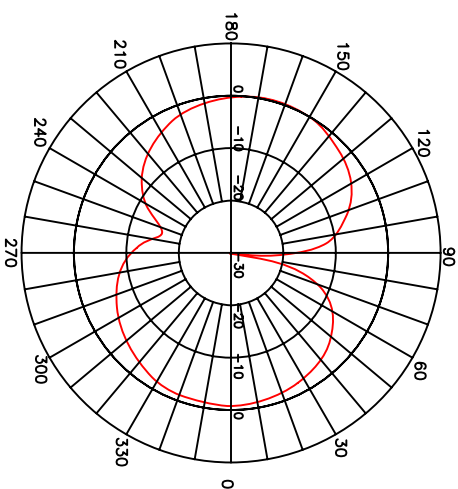
Connector:	SMA type
Material:	Polyurethane(Black)
Whip:	Brass with black chrome plating
Connector:	
Operation Temp.:	-20°C to +65°C
Storage Temp.:	-30°C to +75°C

This is a RoHS compliant product.

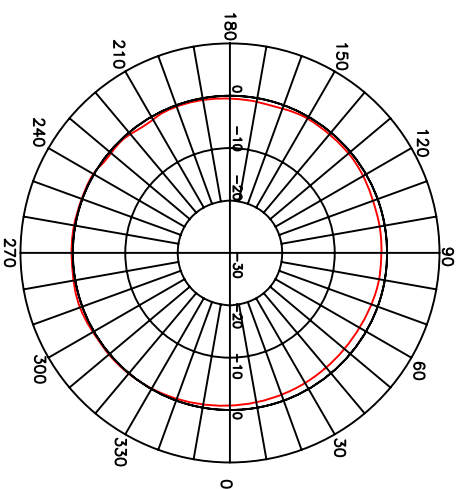
## Connector Interface



E-Plane Pattern @ 434 MHz



H-Plane Pattern @ 434 MHz



TITLE	UHF Band Straight Antenna - 324 Model		Rev. Date	SHEET
UNIT	DWG. NO.	L324XX - 434	04/29/06	1 of 1
in.(mm)				
SCALE				
none				

# NEARSON