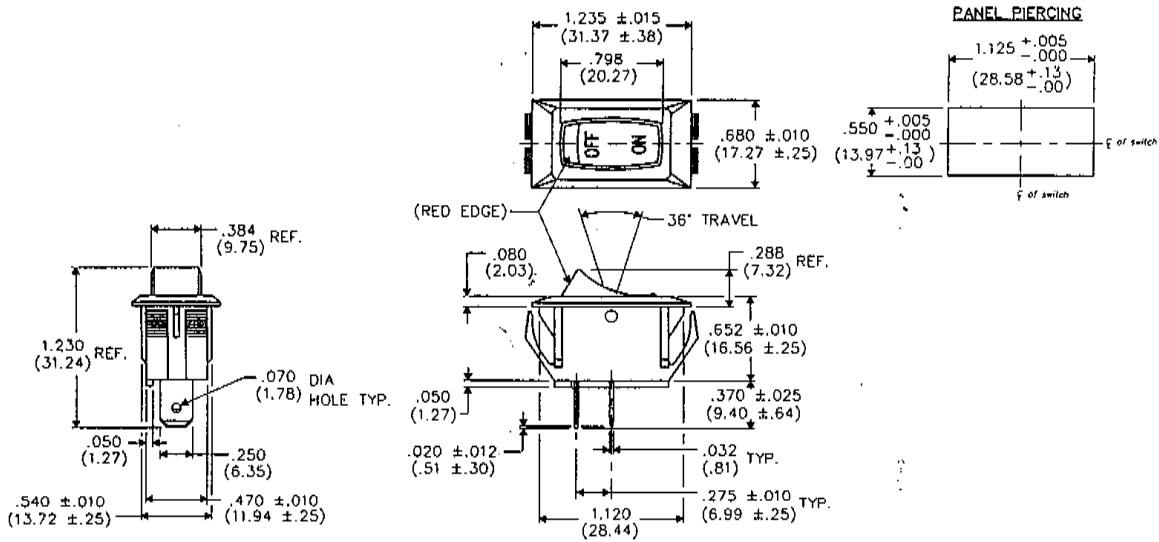


DIMENSIONS IN INCHES (MILLIMETERS)  
DO NOT SCALE DRAWING

Dwg No. NAA-111-BH11-00



FORM-B*	REVISIONS	0	RELEASED: DGW 8-28-2001 3 2001
<b>CW INDUSTRIES</b> Southampton, Pa. 18966 TOLERANCES UNLESS OTHERWISE SPECIFIED 2 Place Decimal ±.010 METRIC 3 Place Decimal ±.005 1 Place Dec: ±.25mm Angles ..... 1° 2 Place Dec: ±.13mm Made for: CW IND. Drawn by: DGW 6-28-2001 Checked by: G. Guld 7-3-01 Approved: F. K. King 7-3-01			Title: INDICON UNIBODY SWITCH ASSEMBLY 1.125" x .550" PANEL Division: SWITCH Dwg No. NAA-111-BH11-00

11/11/01