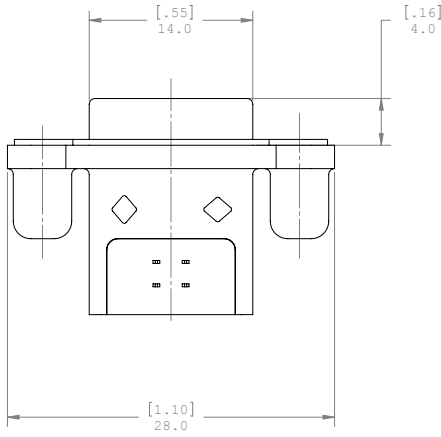
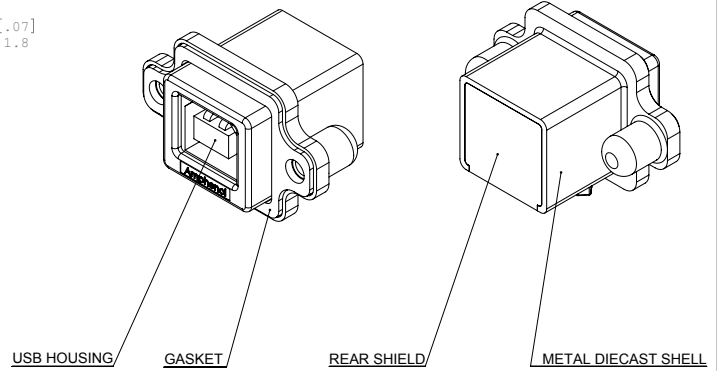
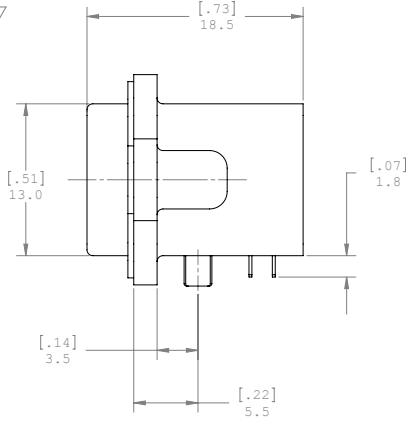
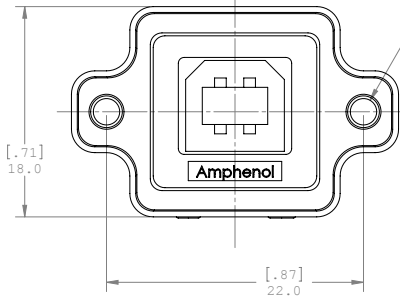


REV	DESCRIP	DATE	APPRVD

FOR THREAD TYPE SEE TABLE 1, PAGE 3,  
 ↓ 4.50 [0.177]  
 2 HOLES



**NOTES:**

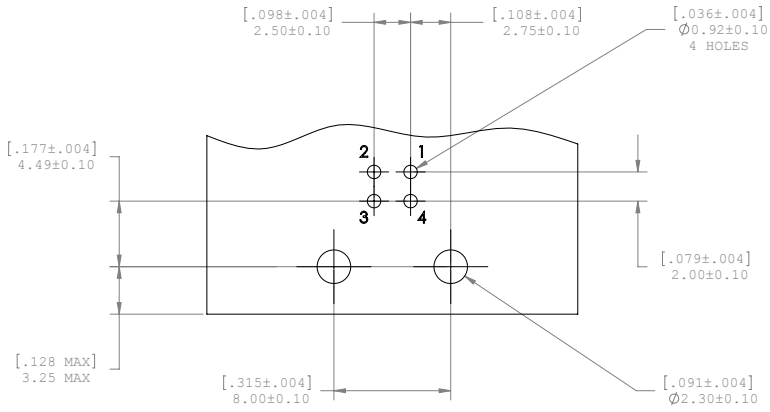
- MATERIAL:**
  - SHELL: ZINC ALLOY DIE CAST, NICKEL PLATED.
  - HOUSING: HIGH TEMPERATURE THERMOPLASTIC, GLASS FILLED. FLAMMABILITY RATING UL94V-0, COLOR - BLACK.
  - CONTACTS: PHOSPHOR BRONZE, GOLD OVER NICKEL PLATED.
  - GASKET: SILICONE RUBBER.
- FEATURE:** SEALED CONNECTOR IN THE MATED AND UNMATED CONDITIONS.
- OPERATING TEMPERATURE:** -40°C TO +85°C.
- ENVIRONMENT PERFORMANCE:** IP67.
- PART IS ROHS COMPLIANT PER EU DIRECTIVE 2002/95/EC AND AMENDMENTS.**
- SEE TABLE 1, PAGE 3 FOR SPECIFIC PART NUMBER.**



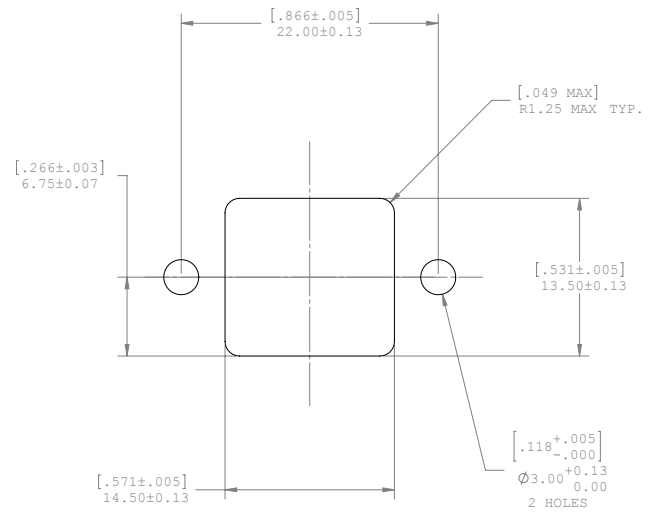
UNLESS OTHERWISE SPECIFIED DIMENSIONS ARE IN MILLIMETER TOLERANCES ARE:		APPROVALS	DATE	Amphenol Canada Corp.		
DECIMALS	ANGLES	DRAWN	FEB19/07	<b>TITLE</b> RUGGED USB, TYPE B, RIGHT ANGLE		
.XX ± .10	± 1°	S.SEMENOV	FEB19/07			
.X ± .25		DESIGNED				
		S.SEMENOV				
MATERIAL AND FINISH		CHECKED		SIZE	DWG. NO.	REV.
		QA APP'D		C	P-MUSB-D111-XX	A
REF.		IE APP'D		SCALE	PROJECT	SHEET
		DWG APP'D	FEB19/07	4:1	MUSB	1 OF 3
CODE IDENT. NO.		A.GREEN				

DO NOT SCALE DRAWING  
 THIS DOCUMENT CONTAINS PROPRIETARY INFORMATION AND SUCH INFORMATION MAY NOT BE DISCLOSED TO OTHERS FOR ANY PURPOSE  
 OR USED FOR MANUFACTURING PURPOSES WITHOUT PERMISSION FROM AMPHENOL CANADA CORP.

REV	DESCRIP	DATE	APPRVD



**RECOMMENDED P.C.B. LAYOUT**



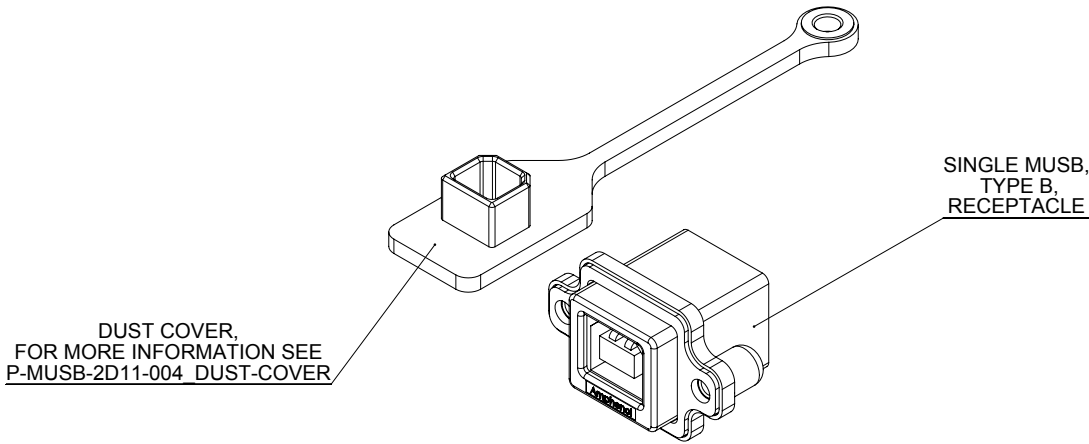
**RECOMMENDED PANEL CUTOUT**



UNLESS OTHERWISE SPECIFIED DIMENSIONS ARE IN MILLIMETER TOLERANCES ARE: DECIMALS .XX ±.10 .X ±.25 ANGLES ±1° MATERIAL AND FINISH REF. CODE IDENT. NO.	APPROVALS	DATE	<b>Amphenol Canada Corp.</b>		
	DRAWN S.SEMENOV	FEB19/07			
	DESIGNED S.SEMENOV	FEB19/07	TITLE	<b>RUGGED USB, TYPE B, RIGHT ANGLE</b>	
	CHECKED		SIZE C		DWG. NO. P-MUSB-D111-XX
	QA APP'D		SCALE 4:1	PROJECT MUSB	SHEET 2 OF 3
	IE APP'D				
	DWG APP'D A.GREEN	FEB19/07			

DO NOT SCALE DRAWING  
 THIS DOCUMENT CONTAINS PROPRIETARY INFORMATION AND SUCH INFORMATION MAY NOT BE DISCLOSED TO OTHERS FOR ANY PURPOSE OR USED FOR MANUFACTURING PURPOSES WITHOUT PERMISSION FROM AMPHENOL CANADA CORP.

REV	DESCRIPT	DATE	APPRVD



DUST COVER,  
FOR MORE INFORMATION SEE  
P-MUSB-2D11-004 DUST-COVER

SINGLE MUSB,  
TYPE B,  
RECEPTACLE

PART NUMBER	THREAD TYPE	DUST COVER
MUSB-D111-30	4-40 UNC	NO
MUSB-D111-31	4-40 UNC	YES
MUSB-D111-M0	M3	NO
MUSB-D111-M1	M3	YES



UNLESS OTHERWISE SPECIFIED DIMENSIONS ARE IN MILLIMETER TOLERANCES ARE:		APPROVALS	DATE	<b>Amphenol Canada Corp.</b>  <b>TITLE</b> <b>RUGGED USB, TYPE B, RIGHT ANGLE</b>
DECIMALS	ANGLES	DRAWN		
.XX ± .10	± 1°	S.SEMENOV	FEB19/07	
.X ± .25		DESIGNED	FEB19/07	
		S.SEMENOV		
		CHECKED		
MATERIAL AND FINISH		QA APP'D		
REF.		IE APP'D		
CODE IDENT. NO.		DWG APP'D	FEB19/07	
		A.GREEN		

DO NOT SCALE DRAWING  
THIS DOCUMENT CONTAINS PROPRIETARY INFORMATION AND SUCH INFORMATION MAY NOT BE DISCLOSED TO OTHERS FOR ANY PURPOSE  
OR USED FOR MANUFACTURING PURPOSES WITHOUT PERMISSION FROM AMPHENOL CANADA CORP.

SIZE	DWG. NO.	REV.
C	P-MUSB-D111-XX	A
SCALE	PROJECT	SHEET
3:1	MUSB	3 OF 3