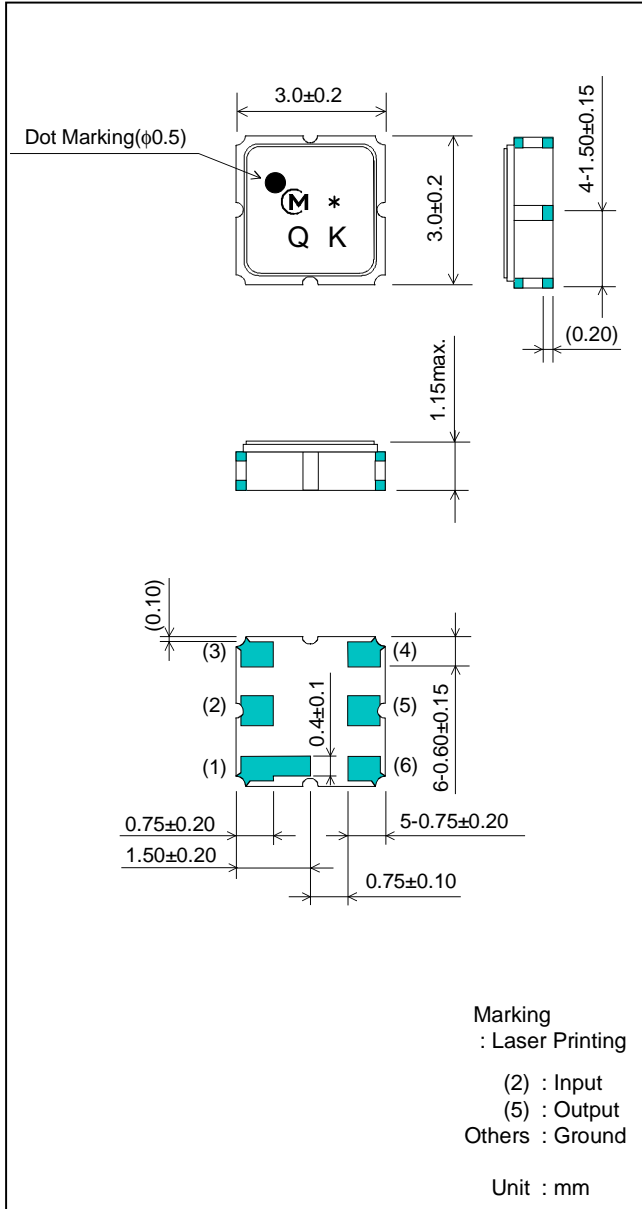


# SAW FILTER FOR RKE

*Murata part number :SAFDC312MSN0T90*

## ■ Package Dimensions



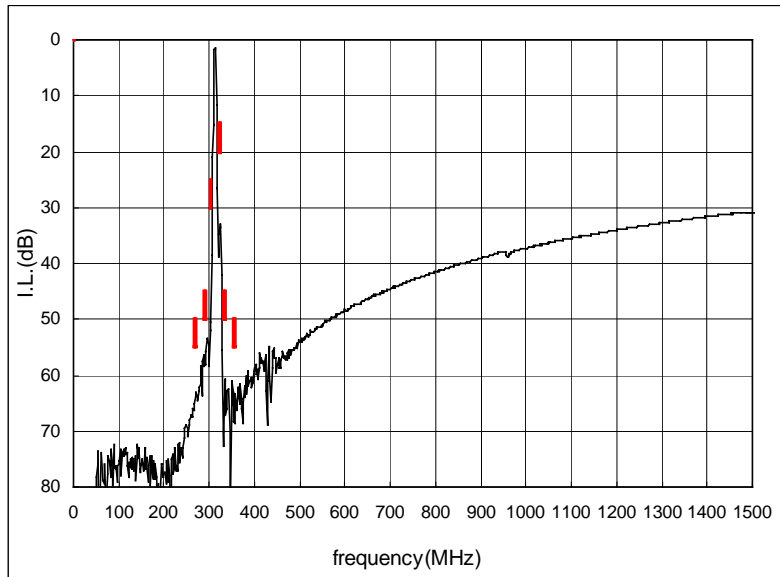
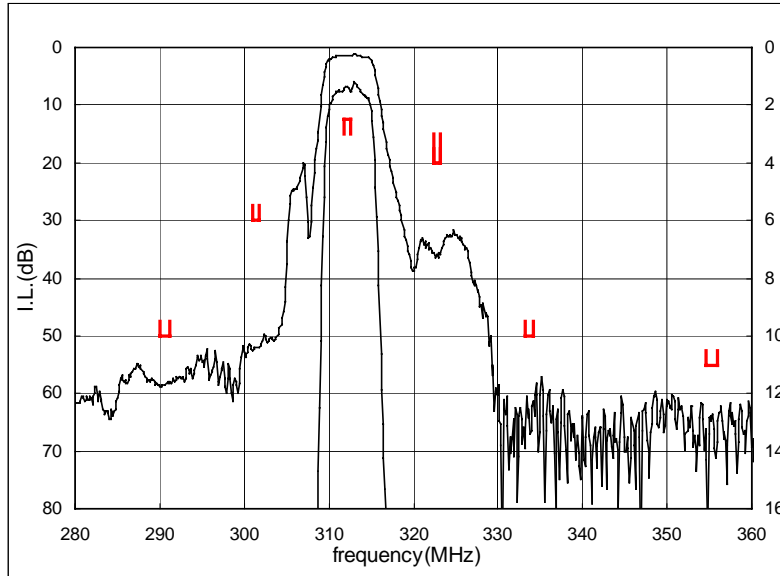
## ■ Specification

Item	Specification		
	-40 to 125° C	-40 to +85° C	typ.
Nominal Center Frequency(fc)	312.5MHz		
Insertion Loss (311.8 to 312.5MHz)	2.5 dB max.	2.0 dB max.	1.23 dB
Absolute Attenuation			
1) 268.4 to 269.7 MHz	55 dB min.	—	63 dB
2) 290.1 to 291.1 MHz	50 dB min.	—	58 dB
3) 301.1 to 301.8 MHz	30 dB min.	—	51 dB
4) 322.5 to 323.2 MHz	20 dB min.	—	34 dB
5) 333.2 to 334.2 MHz	50 dB min.	—	58 dB
6) 354.6 to 355.9 MHz	55 dB min.	—	62 dB
Ripple Deviation (311.8 to 312.5MHz)	1.5dB max.	—	0.12 dB
VSWR (311.8 to 312.5MHz)	2.0 max.	—	1.36
Input/Output Impedance (nominal)	50 $\Omega$		
Input Signal Level	30mW (+14.8dBm), 1 minutes 20mW (+13dBm), 1000 hours		

# SAW FILTER FOR RKE

*Murata part number :SAFDC312MSN0T90*

■ Frequency Performance

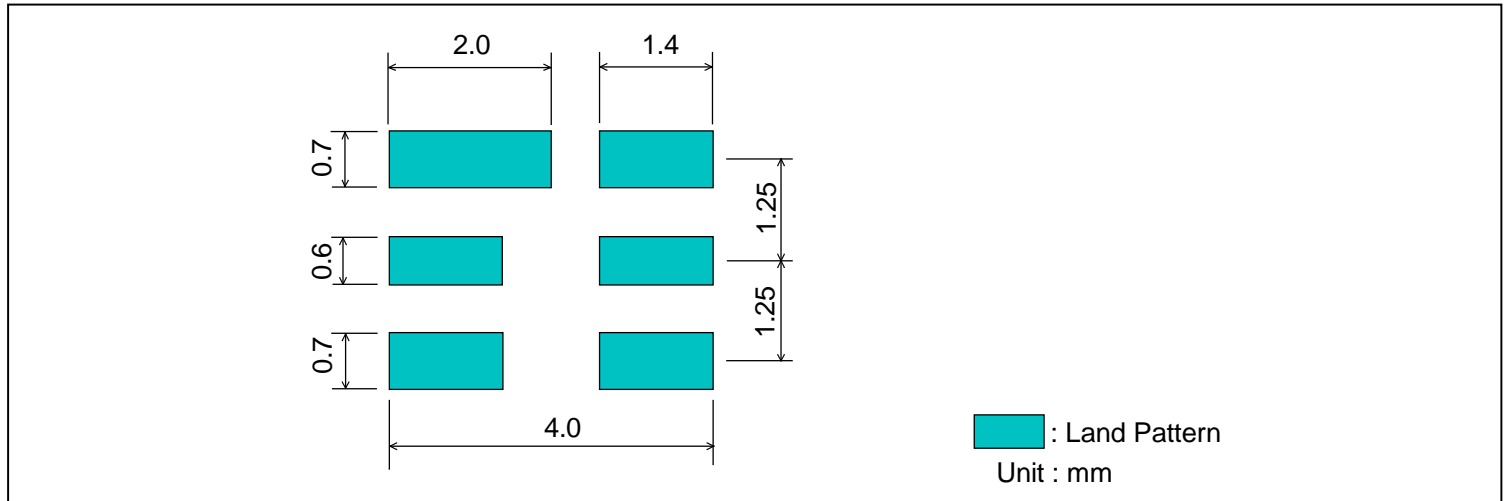




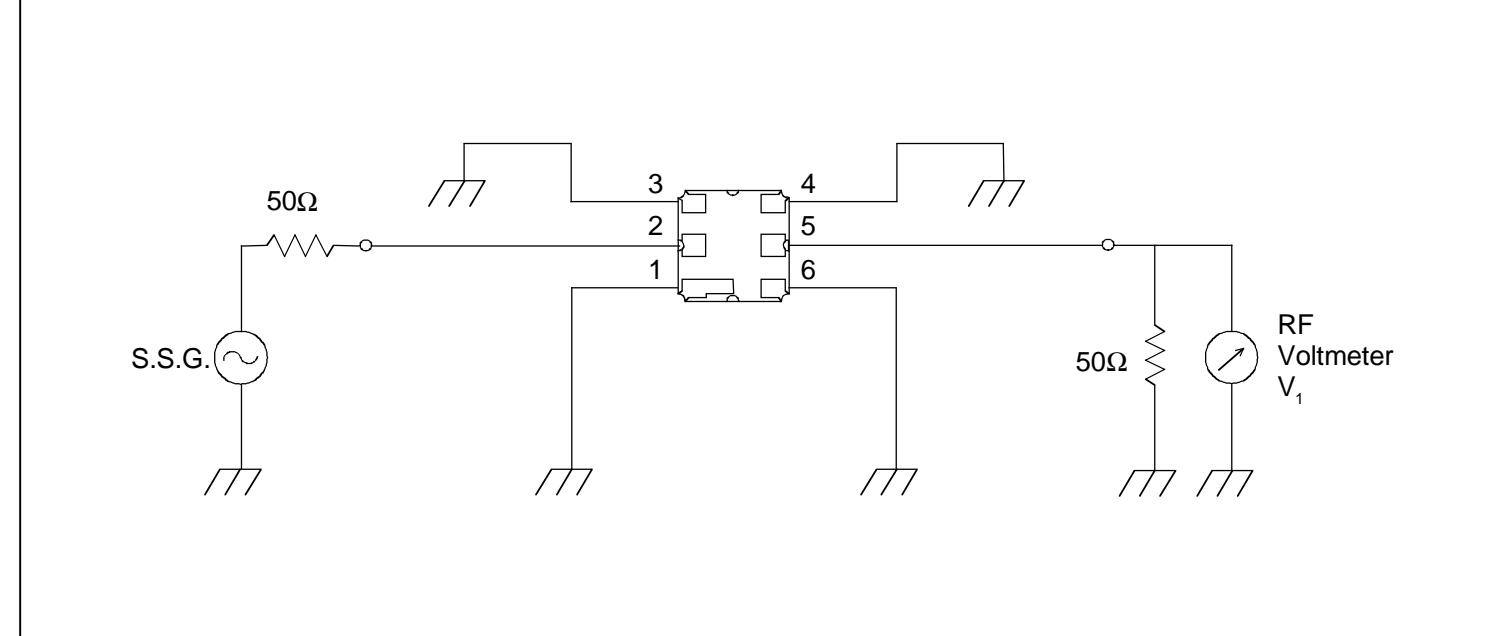
# SAW FILTER FOR RKE

Murata part number :SAFDC312MSN0T90

## Recommended Land Pattern



## Test Circuit



- This PDF Datasheet is downloaded from the website of Murata Manufacturing Co., Ltd. Therefore, it's specifications are subject to change or our products in it may be discontinued without advance notice. Please check with our sales representatives or product engineers before ordering.
- This PDF Datasheet has only typical specifications because there is no space for detailed specifications. Therefore, please approve our product specifications or transact the approval sheet for product specifications before ordering.