

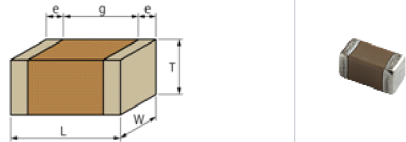
# GRM21BR71C334KA01#

"#" indicates a package specification code.

Available   

< List of part numbers with package codes >  
 GRM21BR71C334KA01L , GRM21BR71C334KA01K

## Shape



L size	2.0 ± 0.1mm
W size	1.25 ± 0.1mm
T size	1.25 ± 0.1mm
External terminal width e	0.2 to 0.7mm
Distance between external terminals g	0.7mm min.
Size code in mm(inch)	2012 (0805)

## References

Packaging	Specifications	Minimum quantity
L	φ 180mm Embossed taping	3000
K	φ 330mm Embossed taping	10000

Mass (typ.)	
1 piece	17mg
φ 180mm Reel	102g

## Specifications

Capacitance	0.33 1F ± 10%
Rated voltage	16Vdc
Temperature characteristics (complied standard)	X7R(EIA)
Capacitance change rate	± 15.0%
Temperature range of temperature characteristics	-55 to 125°C
Operating temperature range	-55 to 125°C

### Attention

- 1.This datasheet is downloaded from the website of Murata Manufacturing Co., Ltd. Therefore, it's specifications are subject to change or our products in it may be discontinued without advance notice. Please check with our sales representatives or product engineers before ordering.
- 2.This datasheet has only typical specifications because there is no space for detailed specifications. Therefore, please review our product specifications or consult the approval sheet for product specifications before ordering.