

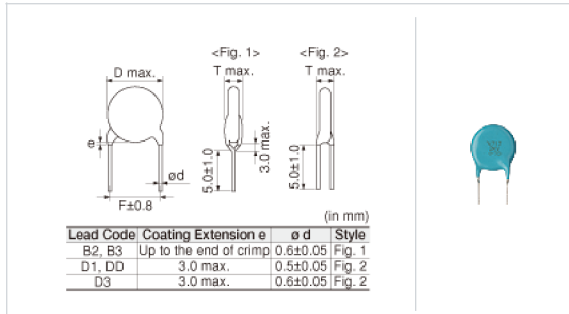
DEA1X3A331J B2B

"#" indicates a package specification code.

Recommended Available Flow OK Complies with RoHS

< List of part numbers with package codes >
DEA1X3A331J B2B

Shape



References

Packaging	Specifications	Minimum quantity
B	Packing in bulk	500

L size or outer diameter D (mm)	10.0 mm max.
T size	4.0 mm max.
Lead spacing F	5.0 ± 0.8mm
Lead diameter d	0.6 ± 0.05mm
Paint dripping e	Up to the end of crimp

Specifications

Capacitance	330pF ± 5%
Rated voltage	1000Vdc
Temperature characteristics (complied standard)	SL(JIS)
Temperature coefficient	+350 to -1000ppm/°C
Temperature range of temperature characteristics	20 to 85°C
Operating temperature range	-25 to 125°C

1 of 1

⚠ Attention

- 1.This datasheet is downloaded from the website of Murata Manufacturing Co., Ltd. Therefore, it's specifications are subject to change or our products in it may be discontinued without advance notice. Please check with our sales representatives or product engineers before ordering.
- 2.This datasheet has only typical specifications because there is no space for detailed specifications. Therefore, please review our product specifications or consult the approval sheet for product specifications before ordering.