

PLEASE CHECK WWW.MOLEX.COM FOR LATEST PART INFORMATION

Part Number: [0875681263](#)
Status: **Active**
Description: 2.00mm (.079") Pitch Milli-Grid™ Cable-to-Board Receptacle, Dual Row, IDT, Lead-free, 12 Circuits, 0.38mm (.015") Gold (Au) Selective Plating, without Center Polarization Key and Locking Friction Ramp

Documents:

3D Model [Product Specification PS-87568-004 \(PDF\)](#)
 Drawing (PDF) [RoHS Certificate of Compliance \(PDF\)](#)

Agency Certification

CSA LR19980
 UL E29179

General

Product Family IDT and Solder Connectors
 Series [87568](#)
 Crimp Quality Equipment Yes
 Product Name Milli-Grid™
 Use With [87569-1012](#) Strain Relief (Optional)

Physical

Circuits (Loaded) 12
 Color - Resin Black
 Durability (mating cycles max) 100
 Flammability 94V-0
 Gender Female
 Glow-Wire Compliant No
 Lock to Mating Part None
 Material - Metal Copper Alloy
 Material - Resin Polyester
 Number of Rows 2
 Packaging Type Tray
 Panel Mount No
 Pitch - Mating Interface (in) 0.079 In
 Pitch - Mating Interface (mm) 2.00 mm
 Polarized to Mating Part Yes
 Stackable No
 Temperature Range - Operating -20°C to +85°C
 Termination Interface: Style IDT or Pierce
 Wire Size AWG 28

Electrical

Current - Maximum per Contact 1A
 Voltage - Maximum 125V

Material Info

Reference - Drawing Numbers

Product Specification [PS-87568-004](#)
 Sales Drawing [SD-87568-003](#)



EU RoHS ELV and RoHS Compliant
REACH SVHC Contains SVHC: No
Halogen-Free Status Not Halogen-Free

China RoHS

Need more information on product environmental compliance?
 Email productcompliance@molex.com
 For a multiple part number RoHS Certificate of Compliance, [click here](#)
 Please visit the [Contact Us](#) section for any non-product compliance questions.

Search Parts in this Series
[87568](#)Series

Mates With
[87831](#) Vertical PCB Header, [87832](#) Surface Mount PCB Header, [87833](#) Right Angle PCB Header

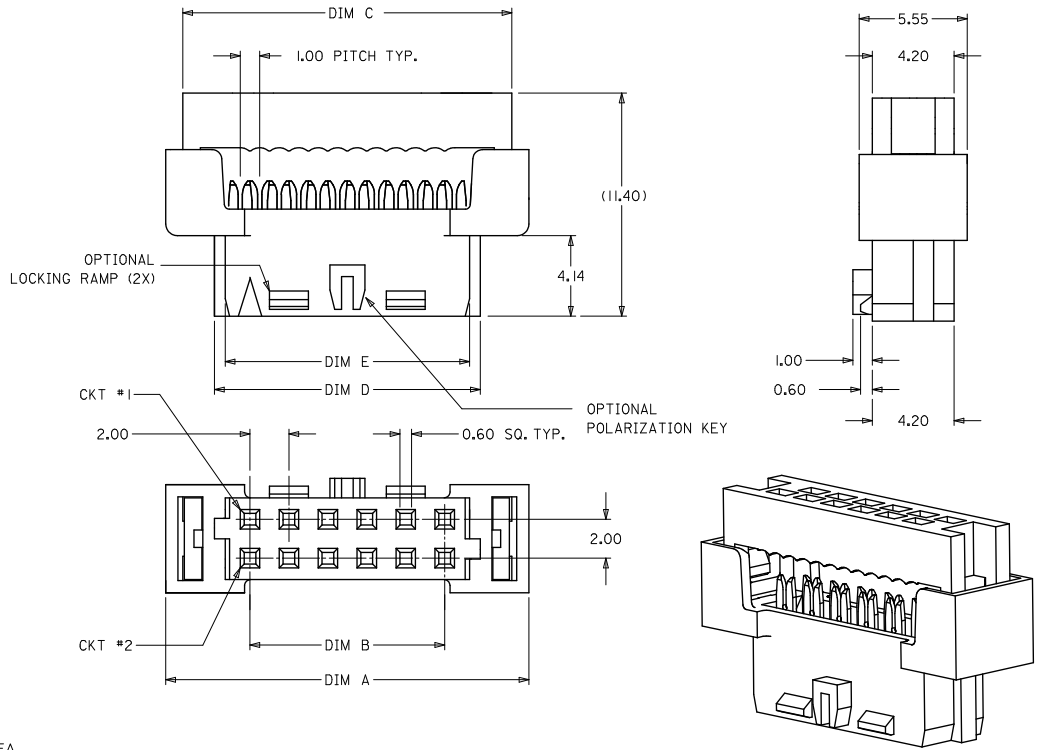
Application Tooling | FAQ
Tooling specifications and manuals are found by selecting the products below. Crimp Height Specifications are then contained in the Application Tooling Specification document.

Global Description	Product #
IDT Ribbon Cable Adapter Kit For 2.00mm Milli-Grid™	0621002400
IDT - Manual - Handtool	0621002000
Manual Press with IDT Ribbon Cable Tool Kit	0621002200

This document was generated on 04/20/2010

PLEASE CHECK WWW.MOLEX.COM FOR LATEST PART INFORMATION

10 9 8 7 6 5 4 3 2 1

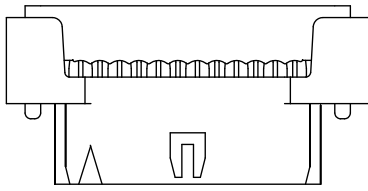


1. MATERIALS:
 - HOUSING - PBT, GLASS FILLED UL94V-0 BLACK
 - TERMINAL - COPPER ALLOY
2. FINISHES
 - PLATING 3 - 15uin (0.38um) SELECTIVE GOLD IN CONTACT AREA AND 75uin (1.88um) TIN IN IDT AREA OVER 50uin (1.25um) NICKEL OVERALL.
 - PLATING 4 - 30uin (0.76um) SELECTIVE GOLD IN CONTACT AREA AND 75uin (1.88um) TIN IN IDT AREA OVER 50uin (1.25um) NICKEL OVERALL.
3. PRODUCT SPEC PS-87568-004 APPLIES
4. FOR ILLUSTRATION PURPOSES, 12 CKT IS SHOWN
5. PART MATES WITH ALL MILLIGRID HEADERS WITH MATING LENGTH BETWEEN 2.50mm AND 4.20mm
6. PART IS DESIGNED FOR 1.00mm PITCH FLAT CABLE, 7 STRANDS, AWG #28, UL2651 AND UL2678
7. ALL OTHER CIRCUIT SIZES, CONTACT FACTORY.
8. STRAIN RELIEF TO BE PURCHASED SEPERATELY, REFER TO SD-87569-008

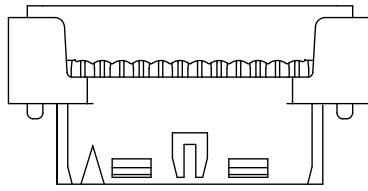
ADD 32CKT OPTION EC NO: S2010-0273 DRWNSKANG 2009/09/28 CHYKATSEE 2009/11/13 APPR:MLONG 2009/11/17	DESCRIPTION H1	QUALITY SYMBOLS	GENERAL TOLERANCES (UNLESS SPECIFIED)	DIMENSION STYLE	SCALE	DESIGN UNITS	THIRD ANGLE PROJECTION																		
		$\nabla=0$ $\nabla=0$ $\nabla=0$	<table border="1"> <tr><th>mm</th><th>INCH</th></tr> <tr><td>4 PLACES ± ---</td><td>± ---</td></tr> <tr><td>3 PLACES ± ---</td><td>± ---</td></tr> <tr><td>2 PLACES ± 0.15</td><td>± ---</td></tr> <tr><td>1 PLACE ± ---</td><td>± ---</td></tr> </table>	mm	INCH	4 PLACES ± ---	± ---	3 PLACES ± ---	± ---	2 PLACES ± 0.15	± ---	1 PLACE ± ---	± ---	MM ONLY	NTS	METRIC	<table border="1"> <tr><th>DATE</th><th>TITLE</th></tr> <tr><td>1997/08/05</td><td>MGRID</td></tr> <tr><td>1997/09/03</td><td>2MM DUAL ROW</td></tr> <tr><td></td><td>IDT RECEPTACLE</td></tr> </table>	DATE	TITLE	1997/08/05	MGRID	1997/09/03	2MM DUAL ROW		IDT RECEPTACLE
		mm	INCH																						
		4 PLACES ± ---	± ---																						
3 PLACES ± ---	± ---																								
2 PLACES ± 0.15	± ---																								
1 PLACE ± ---	± ---																								
DATE	TITLE																								
1997/08/05	MGRID																								
1997/09/03	2MM DUAL ROW																								
	IDT RECEPTACLE																								
<table border="1"> <tr><th>mm</th><th>INCH</th></tr> <tr><td>ANGULAR ± 3°</td><td></td></tr> </table>	mm	INCH	ANGULAR ± 3°		<table border="1"> <tr><th>DRAWN BY</th><th>DATE</th></tr> <tr><td>AGARWAL</td><td>1997/08/05</td></tr> <tr><th>CHECKED BY</th><th>DATE</th></tr> <tr><td>SQUEK</td><td>1997/09/03</td></tr> <tr><th>APPROVED BY</th><th>DATE</th></tr> <tr><td>MLONG</td><td>2009/11/13</td></tr> </table>	DRAWN BY	DATE	AGARWAL	1997/08/05	CHECKED BY	DATE	SQUEK	1997/09/03	APPROVED BY	DATE	MLONG	2009/11/13	<table border="1"> <tr><th>MATERIAL NO.</th><th>DOCUMENT NO.</th><th>SHEET NO.</th></tr> <tr><td>SEE TABLE</td><td>SD-87568-003</td><td>1 OF 3</td></tr> </table>	MATERIAL NO.	DOCUMENT NO.	SHEET NO.	SEE TABLE	SD-87568-003	1 OF 3	MOLEX INCORPORATED
mm	INCH																								
ANGULAR ± 3°																									
DRAWN BY	DATE																								
AGARWAL	1997/08/05																								
CHECKED BY	DATE																								
SQUEK	1997/09/03																								
APPROVED BY	DATE																								
MLONG	2009/11/13																								
MATERIAL NO.	DOCUMENT NO.	SHEET NO.																							
SEE TABLE	SD-87568-003	1 OF 3																							
DRAFT WHERE APPLICABLE MUST REMAIN WITHIN DIMENSIONS		THIS DRAWING CONTAINS INFORMATION THAT IS PROPRIETARY TO MOLEX INCORPORATED AND SHOULD NOT BE USED WITHOUT WRITTEN PERMISSION																							

9 8 7 6 5 4 3 2 1

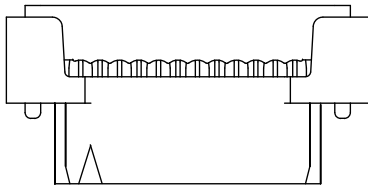
10 | 9 | 8 | 7 | 6 | 5 | 4 | 3 | 2 | 1



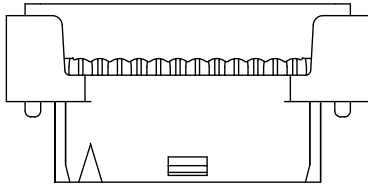
87568-***4*
POLARIZATION ONLY
(APPLICABLE FOR 14 TO 50 CKT)



87568-***9*
POLARIZATION AND RAMP LOCKING
(APPLICABLE FOR 14 TO 50 CKT)



87568-***6*
NO POLARIZATION/RAMP FEATURE
(APPLICABLE FOR 10 TO 50 CKT)



87568-***7*
SINGLE RAMP LOCKING ONLY
(APPLICABLE FOR 10 TO 12 CKT)

ENGINEERING NUMBER	CKT. SIZE	A	B	C	D	E
87568-10**	10	16.65	8.00	14.90	11.65	10.55
87568-12**	12	18.65	10.00	16.90	13.65	12.55
87568-14**	14	20.65	12.00	18.90	15.65	14.55
87568-16**	16	22.65	14.00	20.90	17.65	16.55
87568-20**	20	26.65	18.00	24.90	21.65	20.55
87568-22**	22	28.65	20.00	26.90	23.65	22.55
87568-24**	24	30.65	22.00	28.90	25.65	24.55
87568-26**	26	32.65	24.00	30.90	27.65	26.55
87568-30**	30	36.65	28.00	34.90	31.65	30.55
87568-32**	32	38.65	30.00	36.90	33.65	32.55
87568-34**	34	40.65	32.00	38.90	35.65	34.55
87568-36**	36	42.65	34.00	40.90	37.65	36.55
87568-40**	40	46.65	38.00	44.90	41.65	40.55
87568-44**	44	50.65	42.00	48.90	45.65	44.55
87568-50**	50	56.65	48.00	54.90	51.65	50.55

87568 - * * * *
 CKT. SIZE PLATING OPTION (SEE NOTE 2)
 POLARIZATION KEY & LOCKING RAMP OPTION

- 4 - WITH POLARIZATION ONLY FOR 14 - 50 CKT
- 6 - WITHOUT POLARIZATION AND RAMP LOCKING
- 7 - WITH SINGLE RAMP LOCKING ONLY FOR 10 & 12 CKT
- 9 - WITH POLARIZATION AND RAMP LOCKING FOR 14 - 50 CKT

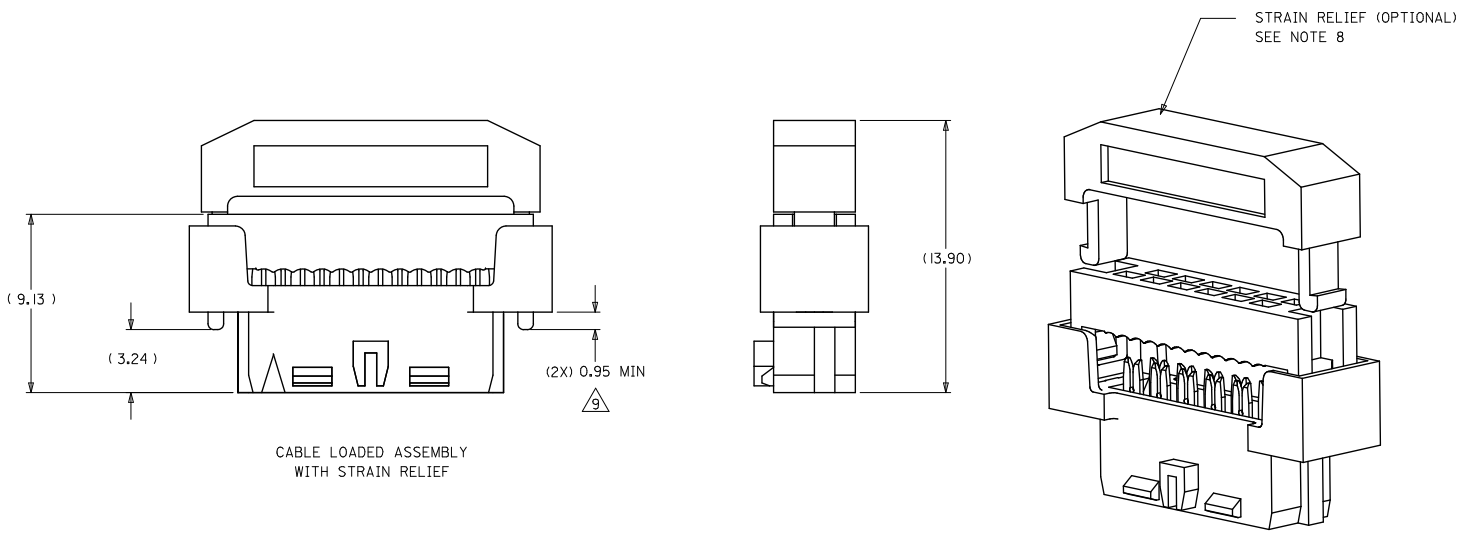
10-12 CIRCUIT SIZE HAS ONLY ONE RAMP FOR LOCKING (OPTIONAL)

14-50 CIRCUIT SIZE HAS BOTH POLARIZATION AND RAMP LOCKING (OPTIONAL)

ADD 32CKT OPTION IEC NO: S2010-0273 DRWNSKANG 2009/09/28 CHYKATSEE 2009/11/13 APPR:MLONG 2009/11/17	QUALITY SYMBOLS	GENERAL TOLERANCES (UNLESS SPECIFIED)	DIMENSION STYLE MM ONLY	SCALE NTS	DESIGN UNITS METRIC	THIRD ANGLE PROJECTION
		4 PLACES ± --- ± ---	mm INCH	DRAWN BY AGARWAL	DATE 1997/08/05	MGRID 2MM DUAL ROW IDT RECEPTACLE MOLEX INCORPORATED SD-87568-003
		3 PLACES ± --- ± ---		CHECKED BY SQUEK	DATE 1997/09/03	
		2 PLACES ± 0.15 ± ---		APPROVED BY MLONG	DATE 2009/11/13	
	1 PLACE ± --- ± ---	ANGULAR ± 3°	MATERIAL NO. SEE TABLE	DOCUMENT NO. SD-87568-003		
REV H1	DESCRIPTION	DRAFT WHERE APPLICABLE MUST REMAIN WITHIN DIMENSIONS	SIZE A3	THIS DRAWING CONTAINS INFORMATION THAT IS PROPRIETARY TO MOLEX INCORPORATED AND SHOULD NOT BE USED WITHOUT WRITTEN PERMISSION		

9 | 8 | 7 | 6 | 5 | 4 | 3 | 2 | 1

10 9 8 7 6 5 4 3 2 1



CABLE LOADED ASSEMBLY WITH STRAIN RELIEF

3D VIEW
(12 CKT SHOWN FOR ILLUSTRATION ONLY)

NOTES

THIS DIMENSION IS TO ENSURE GOOD CABLE TERMINATION.

ADD 32CKT OPTION EC NO: S2010-0273 DRWNSKANG 2009/09/28 CHYKATSEE 2009/11/13 APPR:MLONG 2009/11/17	QUALITY SYMBOLS 	GENERAL TOLERANCES (UNLESS SPECIFIED)		DIMENSION STYLE MM ONLY		SCALE NTS	DESIGN UNITS METRIC	THIRD ANGLE PROJECTION		
		4 PLACES ± --- ± ---	3 PLACES ± --- ± ---	2 PLACES ± 0.15 ± ---	1 PLACE ± --- ± ---	mm	INCH	DRAWN BY AGARWAL		DATE 1997/08/05
		ANGULAR ± 3°		DRAFT WHERE APPLICABLE MUST REMAIN WITHIN DIMENSIONS		SEE TABLE		CHECKED BY SOUK		DATE 1997/09/03
		APPROVED BY MLONG		DATE 2009/11/13		MATERIAL NO.		DOCUMENT NO.		SHEET NO.
REV H1						MOLEX INCORPORATED		SD-87568-003 3 OF 3		

9 8 7 6 5 4 3 2 1