

PLEASE CHECK WWW.MOLEX.COM FOR LATEST PART INFORMATION

Part Number: [0875681073](#)
Status: **Active**
Description: 2.00mm (.079") Pitch Milli-Grid™ Cable-to-Board Receptacle, Dual Row, IDT, Lead-free, 10 Circuits, 0.38mm (.015") Gold (Au) Selective Plating, without Center Polarization Key, with Locking Friction Ramp

Documents:

[3D Model](#) [Product Specification PS-87568-004 \(PDF\)](#)
[Drawing \(PDF\)](#) [RoHS Certificate of Compliance \(PDF\)](#)

Agency Certification

CSA LR19980
 UL E29179

General

Product Family IDT and Solder Connectors
 Series [87568](#)
 Crimp Quality Equipment Yes
 MolexKits Yes
 Product Name Milli-Grid™
 Use With [87569-1010](#) Strain Relief (Optional)

Physical

Circuits (Loaded) 10
 Color - Resin Black
 Durability (mating cycles max) 100
 Flammability 94V-0
 Gender Female
 Glow-Wire Compliant No
 Lock to Mating Part Yes
 Material - Metal Copper Alloy
 Material - Resin Polyester
 Number of Rows 2
 Packaging Type Tray
 Panel Mount No
 Pitch - Mating Interface (in) 0.079 In
 Pitch - Mating Interface (mm) 2.00 mm
 Polarized to Mating Part Yes
 Stackable No
 Temperature Range - Operating -20°C to +85°C
 Termination Interface: Style IDT or Pierce
 Wire Size AWG 28

Electrical

Current - Maximum per Contact 1A
 Voltage - Maximum 125V

Material Info

Reference - Drawing Numbers

Product Specification PS-87568-004
 Sales Drawing SD-87568-003



EU RoHS
ELV and RoHS
Compliant
REACH SVHC
Contains SVHC: No
Halogen-Free
Status
Not Halogen-Free

China RoHS

Need more information on product environmental compliance?

Email productcompliance@molex.com
 For a multiple part number RoHS Certificate of Compliance, [click here](#)

Please visit the [Contact Us](#) section for any non-product compliance questions.

Search Parts in this Series
[87568Series](#)

Mates With
[87831](#) Vertical PCB Header, [87832](#) Surface Mount PCB Header, [87833](#) Right Angle PCB Header

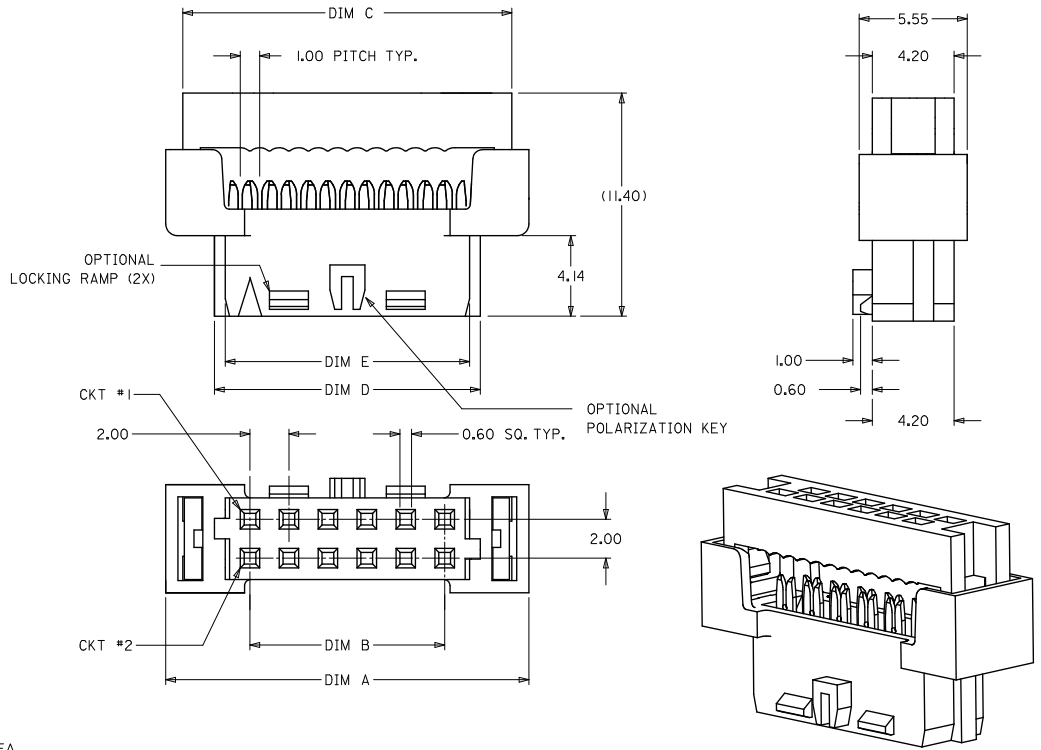
Application Tooling | FAQ
Tooling specifications and manuals are found by selecting the products below. Crimp Height Specifications are then contained in the Application Tooling Specification document.

Description	Product #
Manual Press with IDT Ribbon Cable Tool Kit	0621002200
IDT Ribbon Cable Adapter Kit For 2.00mm Milli-Grid™ IDT - Manual - Handtool	0621002400
	0621002000

This document was generated on 06/08/2010

PLEASE CHECK WWW.MOLEX.COM FOR LATEST PART INFORMATION

10 9 8 7 6 5 4 3 2 1

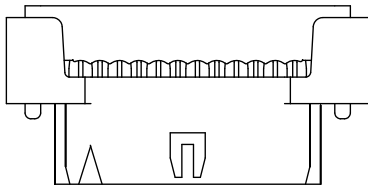


1. MATERIALS:
 - HOUSING - PBT, GLASS FILLED UL94V-0 BLACK
 - TERMINAL - COPPER ALLOY
2. FINISHES
 - PLATING 3 - 15uin (0.38um) SELECTIVE GOLD IN CONTACT AREA AND 75uin (1.88um) TIN IN IDT AREA OVER 50uin (1.25um) NICKEL OVERALL.
 - PLATING 4 - 30uin (0.76um) SELECTIVE GOLD IN CONTACT AREA AND 75uin (1.88um) TIN IN IDT AREA OVER 50uin (1.25um) NICKEL OVERALL.
3. PRODUCT SPEC PS-87568-004 APPLIES
4. FOR ILLUSTRATION PURPOSES, 12 CKT IS SHOWN
5. PART MATES WITH ALL MILLIGRID HEADERS WITH MATING LENGTH BETWEEN 2.50mm AND 4.20mm
6. PART IS DESIGNED FOR 1.00mm PITCH FLAT CABLE, 7 STRANDS, AWG #28, UL2651 AND UL2678
7. ALL OTHER CIRCUIT SIZES, CONTACT FACTORY.
8. STRAIN RELIEF TO BE PURCHASED SEPERATELY, REFER TO SD-87569-008

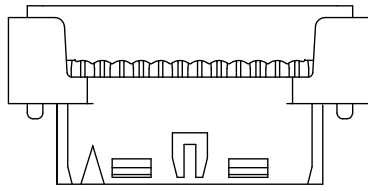
ADD 32CKT OPTION EC NO: S2010-0273 DRWNSKANG 2009/09/28 CHYKATSEE 2009/11/13 APPR:MLONG 2009/11/17	DESCRIPTION H1	QUALITY SYMBOLS 	GENERAL TOLERANCES (UNLESS SPECIFIED)		DIMENSION STYLE MM ONLY		SCALE NTS	DESIGN UNITS METRIC	THIRD ANGLE PROJECTION		
		4 PLACES ± --- ± --- 3 PLACES ± --- ± --- 2 PLACES ± 0.15 ± --- 1 PLACE ± --- ± ---	mm INCH	DRAWN BY AGARWAL	DATE 1997/08/05	TITLE MGRID 2MM DUAL ROW IDT RECEPTACLE					
		ANGULAR ± 3°	DRAFT WHERE APPLICABLE MUST REMAIN WITHIN DIMENSIONS	CHECKED BY SOUEK	DATE 1997/09/03	MOLEX INCORPORATED					
		MATERIAL NO. SEE TABLE	APPROVED BY MLONG	DATE 2009/11/13	DOCUMENT NO. SD-87568-003	SHEET NO. 1 OF 3	THIS DRAWING CONTAINS INFORMATION THAT IS PROPRIETARY TO MOLEX INCORPORATED AND SHOULD NOT BE USED WITHOUT WRITTEN PERMISSION				

9 8 7 6 5 4 3 2 1

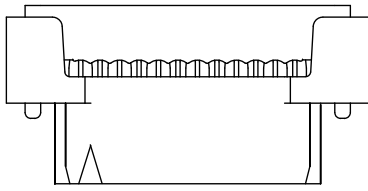
10 | 9 | 8 | 7 | 6 | 5 | 4 | 3 | 2 | 1



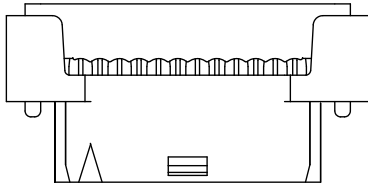
87568-***4*
POLARIZATION ONLY
(APPLICABLE FOR 14 TO 50 CKT)



87568-***9*
POLARIZATION AND RAMP LOCKING
(APPLICABLE FOR 14 TO 50 CKT)



87568-***6*
NO POLARIZATION/RAMP FEATURE
(APPLICABLE FOR 10 TO 50 CKT)



87568-***7*
SINGLE RAMP LOCKING ONLY
(APPLICABLE FOR 10 TO 12 CKT)

ENGINEERING NUMBER	CKT. SIZE	A	B	C	D	E
87568-10**	10	16.65	8.00	14.90	11.65	10.55
87568-12**	12	18.65	10.00	16.90	13.65	12.55
87568-14**	14	20.65	12.00	18.90	15.65	14.55
87568-16**	16	22.65	14.00	20.90	17.65	16.55
87568-20**	20	26.65	18.00	24.90	21.65	20.55
87568-22**	22	28.65	20.00	26.90	23.65	22.55
87568-24**	24	30.65	22.00	28.90	25.65	24.55
87568-26**	26	32.65	24.00	30.90	27.65	26.55
87568-30**	30	36.65	28.00	34.90	31.65	30.55
87568-32**	32	38.65	30.00	36.90	33.65	32.55
87568-34**	34	40.65	32.00	38.90	35.65	34.55
87568-36**	36	42.65	34.00	40.90	37.65	36.55
87568-40**	40	46.65	38.00	44.90	41.65	40.55
87568-44**	44	50.65	42.00	48.90	45.65	44.55
87568-50**	50	56.65	48.00	54.90	51.65	50.55

87568 - * * * *
 CKT. SIZE PLATING OPTION (SEE NOTE 2)
 POLARIZATION KEY & LOCKING RAMP OPTION

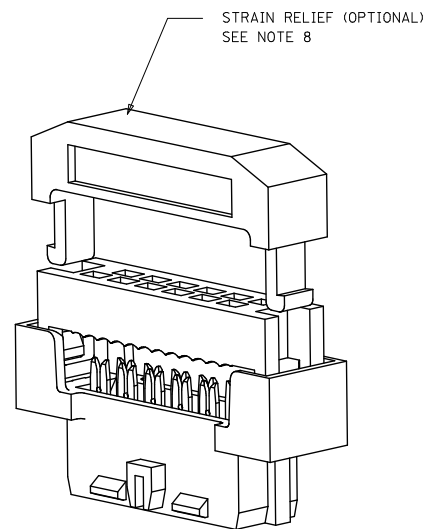
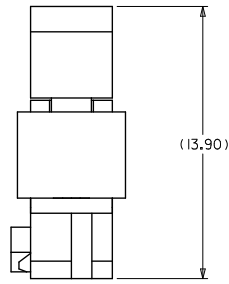
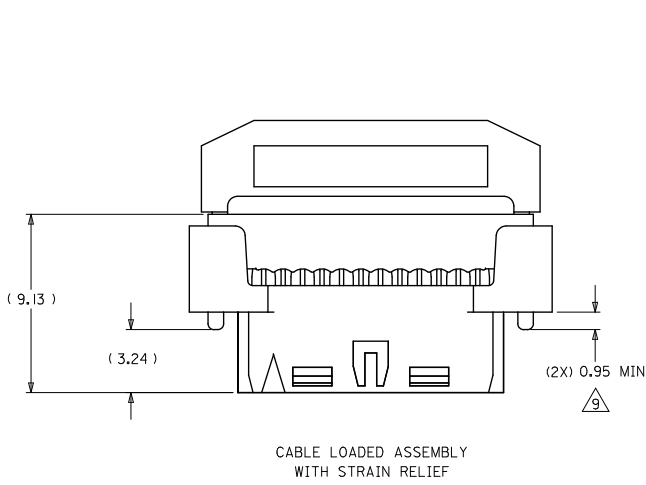
- 4 - WITH POLARIZATION ONLY FOR 14 - 50 CKT
- 6 - WITHOUT POLARIZATION AND RAMP LOCKING
- 7 - WITH SINGLE RAMP LOCKING ONLY FOR 10 & 12 CKT
- 9 - WITH POLARIZATION AND RAMP LOCKING FOR 14 - 50 CKT

10-12 CIRCUIT SIZE HAS ONLY ONE RAMP FOR LOCKING (OPTIONAL)

14-50 CIRCUIT SIZE HAS BOTH POLARIZATION AND RAMP LOCKING (OPTIONAL)

ADD 32CKT OPTION IEC NO: S2010-0273 DRWNSKANG 2009/09/28 CHYKATSEE 2009/11/13 APPR:MLONG 2009/11/17	QUALITY SYMBOLS	GENERAL TOLERANCES (UNLESS SPECIFIED)	DIMENSION STYLE MM ONLY	SCALE NTS	DESIGN UNITS METRIC	THIRD ANGLE PROJECTION
		4 PLACES ± --- ± ---	mm INCH	DRAWN BY AGARWAL	DATE 1997/08/05	MGRID 2MM DUAL ROW IDT RECEPTACLE MOLEX INCORPORATED SD-87568-003 SHEET NO. 2 OF 3
		3 PLACES ± --- ± ---		CHECKED BY SQUEK	DATE 1997/09/03	
		2 PLACES ± 0.15 ± ---		APPROVED BY MLONG	DATE 2009/11/13	
	1 PLACE ± --- ± ---	ANGULAR ± 3°	MATERIAL NO. SEE TABLE	DOCUMENT NO. SD-87568-003		
		DRAFT WHERE APPLICABLE MUST REMAIN WITHIN DIMENSIONS	SIZE A 3	THIS DRAWING CONTAINS INFORMATION THAT IS PROPRIETARY TO MOLEX INCORPORATED AND SHOULD NOT BE USED WITHOUT WRITTEN PERMISSION		

10 9 8 7 6 5 4 3 2 1



3D VIEW
(12 CKT SHOWN
FOR ILLUSTRATION ONLY)

NOTES

△ THIS DIMENSION IS TO ENSURE GOOD CABLE TERMINATION.

ADD 32CKT OPTION EC NO: S2010-0273 DRWNSKANG 2009/09/28 CHYKATSEE 2009/11/13 APPR:MLONG 2009/11/17 H1	DESCRIPTION REV	QUALITY SYMBOLS	GENERAL TOLERANCES (UNLESS SPECIFIED)		DIMENSION STYLE MM ONLY		SCALE NTS	DESIGN UNITS METRIC	THIRD ANGLE PROJECTION	
		▽=0	4 PLACES ± --- ± ---	mm	INCH	DRAWN BY AGARWAL	DATE 1997/08/05	TITLE MGRID 2MM DUAL ROW IDT RECEPTACLE		
		▽=0	3 PLACES ± --- ± ---			CHECKED BY SOUK	DATE 1997/09/03	MOLEX INCORPORATED		
		▽=0	2 PLACES ± 0.15 ± ---			APPROVED BY MLONG	DATE 2009/11/13	DOCUMENT NO. SD-87568-003	SHEET NO. 3 OF 3	
DRAFT WHERE APPLICABLE MUST REMAIN WITHIN DIMENSIONS			ANGULAR ± 3 °		MATERIAL NO. SEE TABLE		THIS DRAWING CONTAINS INFORMATION THAT IS PROPRIETARY TO MOLEX INCORPORATED AND SHOULD NOT BE USED WITHOUT WRITTEN PERMISSION			

9 8 7 6 5 4 3 2 1