

PLEASE CHECK WWW.MOLEX.COM FOR LATEST PART INFORMATION

Part Number: [0850010191](#)
Status: **Active**
Overview: IEC 603-2 / DIN 41612
Description: 2.54mm (.100") Pitch DIN 41612 Header, Style B, Right Angle, Through Hole, 0.6µm (24µ") Selective Gold (Au), Fixing Clip available, 64 Circuits

Documents:

3D Model [Product Specification PS-85003-0001 \(PDF\)](#)
 Drawing (PDF) [RoHS Certificate of Compliance \(PDF\)](#)

Agency Certification

CSA LR19980
 UL E29179

General

Product Family Backplane Connectors
 Series 85001
 Application Daughtercard
 Component Type PCB Header
 Overview IEC 603-2 / DIN 41612
 Product Name IEC 603-2/DIN 41612
 Style B

Physical

Circuits (Loaded) 64
 Circuits (maximum) 64
 Durability (mating cycles max) 400
 First Mate / Last Break No
 Flammability 94V-0
 Guide to Mating Part No
 Keying to Mating Part Yes
 Number of Columns 16
 Number of Pairs Open Pin Field
 Number of Rows 2
 Orientation Right Angle
 PC Tail Length (in) 0.118 In
 PC Tail Length (mm) 3.00 mm
 PCB Locator No
 PCB Retention Yes
 PCB Thickness Recommended (in) 0.062 In
 PCB Thickness Recommended (mm) 1.60 mm
 Packaging Type Tray
 Pitch - Mating Interface (in) 0.100 In
 Pitch - Mating Interface (mm) 2.54 mm
 Pitch - Term. Interface (in) 0.100 In
 Pitch - Term. Interface (mm) 2.54 mm
 Temperature Range - Operating -55°C to +125°C
 Termination Interface: Style Through Hole

Electrical

Current - Maximum per Contact 1.5A
 Data Rate 622.0 Mbps
 Voltage - Maximum 250V AC (RMS)

Material Info

Reference - Drawing Numbers

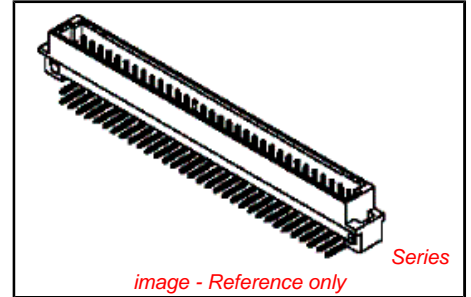


image - Reference only

EU RoHS

ELV and RoHS Compliant

REACH SVHC

Not Reviewed

Halogen-Free

Status

Not Reviewed

Need more information on product environmental compliance?

Email productcompliance@molex.com
 For a multiple part number RoHS Certificate of Compliance, [click here](#)

Please visit the [Contact Us](#) section for any non-product compliance questions.

China RoHS



Search Parts in this Series

85001Series

Mates With

DIN 41612 Receptacle 85040 , 85050

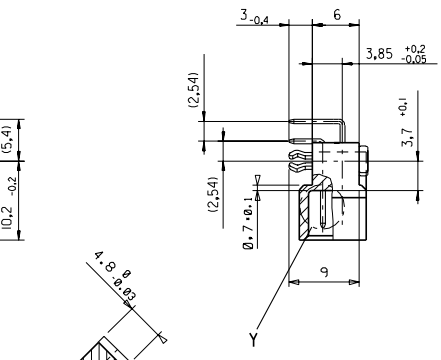
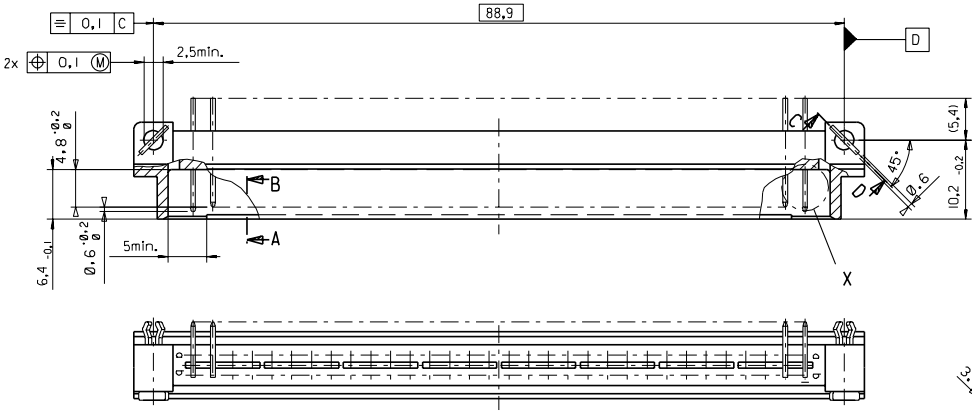
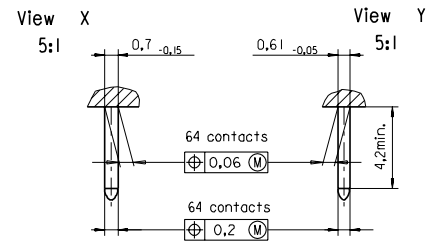
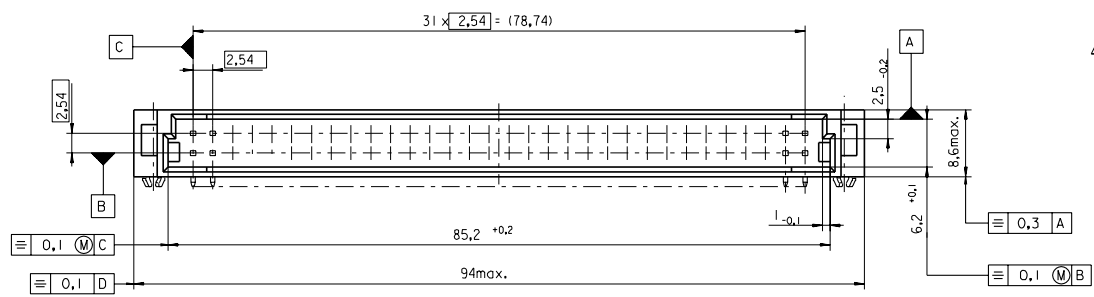
Product Specification
Sales Drawing

PS-85003-0001
SDA-85001-0001, SDA-85001-0191

This document was generated on 03/09/2010

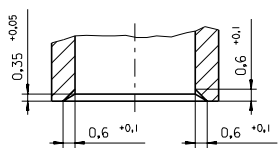
PLEASE CHECK WWW.MOLEX.COM FOR LATEST PART INFORMATION

PART NO.
DMC NO.



Section A - B
5:1

Section C - D



FIRST ANGLE PROJECTION		REVISE ONLY ON CAD SYSTEM		SH.	REV.
UNLESS OTHERWISE SPECIFIED TOLERANCES: ANGULAR ± 2° INCH METRIC		DRWG BY Ca	SIGN	CAD/CAM PROJECT NAME 85001000 811	THIS DRAWING CONTAINS INFORMATION THAT IS PROPRIETARY TO MOLEX INC. & SHOULD NOT BE USED WITHOUT WRITTEN PERMISSION
3 PLACE ±		CHK'D BY KN	SIGN	TITLE 64 pos. Male connector acc. DIN 41612 style B Dimensions	
2 PLACE ±		APP'D BY	SIGN	MOLEX MOLEX EUROPE	
1 PLACE ±		SCALE 2:1		SHEET NO. DATE 1 OF 95/06/06	SIZE B
DESIGN DIMENSION <input checked="" type="checkbox"/> MM <input type="checkbox"/> IN.		PART NO.		DWG NO. SDA-85001-0001	
EQUIVALENT DIMENSION <input type="checkbox"/> MM <input type="checkbox"/> IN.		SCALE		SIZE	
IF TWO DIMENSIONS ARE SHOWN, THE UPPER IS THE DESIGN DIMENSION, LOWER IS SECONDARY.		SCALE		SIZE	

first release see ECN No. 1687	LTR	REVISIONS
		FOR PREVIOUS REVISIONS SEE MRI LIST
		DRAFT WHERE APPLICABLE MUST REMAIN WITHIN DIMENSIONS
		DESIGN DIMENSION <input checked="" type="checkbox"/> MM <input type="checkbox"/> IN.
		EQUIVALENT DIMENSION <input type="checkbox"/> MM <input type="checkbox"/> IN.

7132-1283

VIEW ON MATING SIDE

B	B	B	B	B	B	B	B	B	B	B	B	B	B	B	B	B	B	B	B	B
A	A	A	A	A	A	A	A	A	A	A	A	A	A	A	A	A	A	A	A	A

A = 32 STANDARD CONTACTS L-3
 B = 32 STANDARD CONTACTS L-3
 S = 64 TOTAL NUMBER OF CONTACTS

Marking	Standard
Performance level	G2/0 = Contact area level2 / Termination fin
Flux proof	no
Fixing clip	yes
Dimensions	SDA-85001-0001 sht.1
Technical Data	PS-85003-0001

B	G2/0	b1-32
A	G2/0	a1-32

Contact symbol Perform. level

Contact position number

REVISIONS 96/07/18 Cd see ECN No. 2204	FOR PREVIOUS REVISIONS SEE MRI LIST			
	UNLESS OTHERWISE SPECIFIED TOLERANCES: ANGULAR $\pm 2^\circ$	DRWG BY Cd	SIGN Ca	REV. SH.
3 PLACE \pm • 2 PLACE \pm • 1 PLACE \pm •	INCH METRIC \pm \pm \pm	CHK'D BY KN	SIGN APPO'D BY	TITLE 64 pos. Male connector acc. DIN 41612 style B contacts arrangement
IF TWO DIMENSIONS ARE SHOWN THE UPPER IS THE DESIGN DIMENSION, LOWER IS SECONDARY	DESIGN DIMENSION <input type="checkbox"/> MM <input type="checkbox"/> IN. EQUIVALENT DIMENSION <input type="checkbox"/> MM <input type="checkbox"/> IN.	SCALE	SHEET NO. DATE 1 OF 1 95/05/23	PART NO. DWG NO. SIZE 85001-0191 SDA-85001-0191 A