

PLEASE CHECK WWW.MOLEX.COM FOR LATEST PART INFORMATION

Part Number: **0791077010**
Status: **Active**
Description: 2.00mm (.079") Pitch Milli-Grid™ Receptacle, Vertical, Through Hole, Dual Row, 3.00mm (.118) Tail Length, 0.38µm (15µ") Gold (Au) Selective Plating, 22 Circuits, Leadfree

Documents:

[3D Model](#) [Product Specification PS-79107 \(PDF\)](#)
[Drawing \(PDF\)](#) [RoHS Certificate of Compliance \(PDF\)](#)

General

Product Family PCB Receptacles
 Series [79107](#)
 Application Board-to-Board
 Product Name Milli-Grid™

Physical

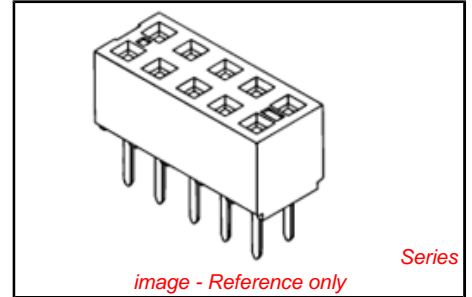
Circuits (Loaded) 22
 Color - Resin Black
 Durability (mating cycles max) 50
 Glow-Wire Compliant No
 Lock to Mating Part None
 Material - Metal Phosphor Bronze
 Material - Plating Mating Gold
 Material - Plating Termination Tin
 Material - Resin High Temperature Thermoplastic
 Number of Rows 2
 Orientation Vertical
 PC Tail Length (in) 0.118 In
 PC Tail Length (mm) 3.00 mm
 PCB Locator No
 PCB Retention None
 PCB Thickness Recommended (in) 0.062 In
 PCB Thickness Recommended (mm) 1.60 mm
 Packaging Type Tube
 Pitch - Mating Interface (in) 0.079 In
 Pitch - Mating Interface (mm) 2.00 mm
 Pitch - Term. Interface (in) 0.079 In
 Pitch - Term. Interface (mm) 2.00 mm
 Plating min: Mating (µin) 15
 Plating min: Mating (µm) 0.375
 Plating min: Termination (µin) 75
 Plating min: Termination (µm) 1.875
 Polarized to Mating Part No
 Polarized to PCB No
 Surface Mount Compatible (SMC) Yes
 Temperature Range - Operating -55°C to +105°C
 Termination Interface: Style Through Hole

Electrical

Current - Maximum per Contact 1A
 Voltage - Maximum 125V

Solder Process Data

Duration at Max. Process Temperature (seconds) 10
 Lead-free Process Capability Wave Capable (TH only)



EU RoHS

ELV and RoHS Compliant
REACH SVHC
 Not Reviewed
Halogen-Free Status
 Not Reviewed

China RoHS



Need more information on product environmental compliance?

Email productcompliance@molex.com
 For a multiple part number RoHS Certificate of Compliance, [click here](#)

Please visit the [Contact Us](#) section for any non-product compliance questions.

Search Parts in this Series
[79107Series](#)

Mates With

[87758](#) Vertical, Through Hole, Stackable PCB Header, [87759](#) Vertical, Surface Mount, Stackable PCB Header, [87760](#) Right Angle, Through Hole, Stackable PCB Header, [87831](#) Vertical, Through Hole PCB Header, [87832](#) Vertical, Surface Mount PCB

Max. Cycles at Max. Process Temperature 1
Process Temperature max. C 260

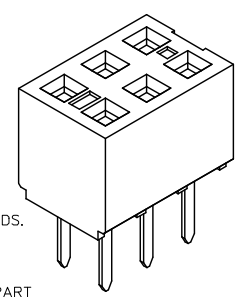
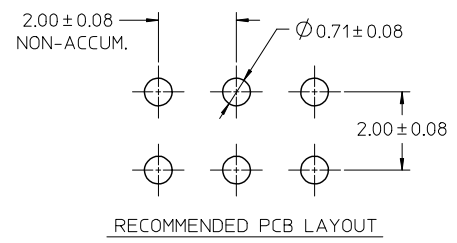
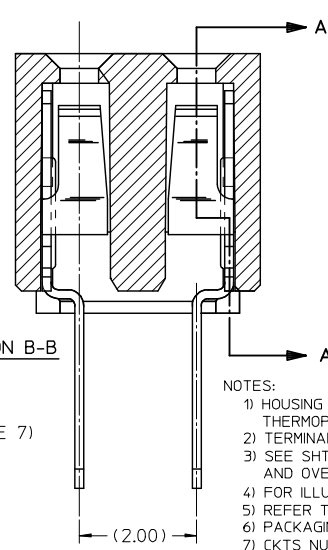
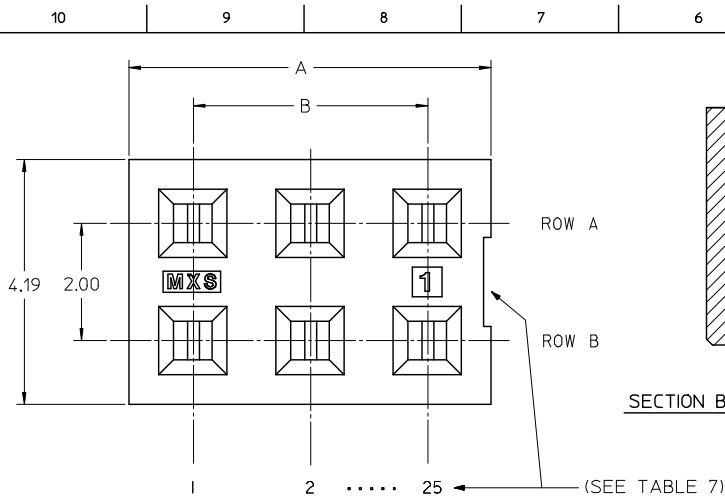
Material Info

Reference - Drawing Numbers

Product Specification PS-79107
Sales Drawing SDA-79107-****

This document was generated on 03/18/2010

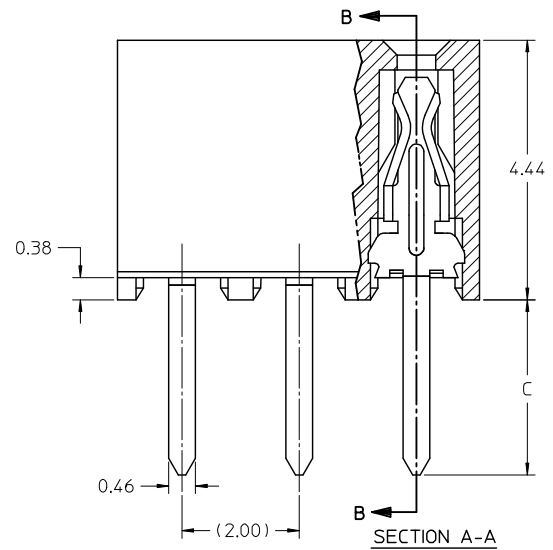
PLEASE CHECK WWW.MOLEX.COM FOR LATEST PART INFORMATION



- NOTES:
- 1) HOUSING MATERIAL: GLASS FILLED HIGH TEMP THERMOPLASTIC, COLOR: BLACK
 - 2) TERMINAL MATERIAL: PHOSPHOR BRONZE
 - 3) SEE SHT 2 FOR CKT SIZE, PART NUMBERS AND OVERALL DIMENSIONS, SEE SHT 3 FOR VOIDS.
 - 4) FOR ILLUSTRATION, 6 CKT ASSY SHOWN.
 - 5) REFER TO PRODUCT SPEC PS-79107
 - 6) PACKAGING PER PK-70873-0180
 - 7) CKTS NUMBERED FROM LEFT TO RIGHT WHEN PART IS VIEWED FROM TOP WITH RECESS ON THE RIGHT AS SHOWN.
 - 8) SOLDER TAIL TO BE MEASURED BY PITCH GAUGE.

PLATING OPTION:

- 4) - 30u"/0.76um MIN GOLD PLATE IN SELECTED AREA
75u"/1.90um MIN TIN PLATE IN SELECTED AREA
BOTH OVER 50u"/1.25um MIN NICKEL OVERALL
- 5) - 15u"/0.38um MIN GOLD PLATE IN SELECTED AREA
75u"/1.90um MIN TIN PLATE IN SELECTED AREA
BOTH OVER 50u"/1.25um MIN NICKEL OVERALL
- 6) - 2u"/0.05um MIN GOLD PLATE IN SELECTED AREA
40u"/1.02um MIN TIN PLATE IN SELECTED AREA
BOTH OVER 40u"/1.02um MIN NICKEL OVERALL



IPDES#1861, ADD 791075104. 5105, 5106, 5107 ELEC NO: S22009-0107 DRAWN BY: CHYK-SYANG APPROV: LONG 2008/09/03 2008/09/15 2008/09/15	QUALITY SYMBOLS	GENERAL TOLERANCES (UNLESS SPECIFIED) <table border="1"> <tr> <th></th> <th>mm</th> <th>INCH</th> </tr> <tr> <td>4 PLACES</td> <td>± ---</td> <td>± ---</td> </tr> <tr> <td>3 PLACES</td> <td>± ---</td> <td>± ---</td> </tr> <tr> <td>2 PLACES</td> <td>± 0.25</td> <td>± ---</td> </tr> <tr> <td>1 PLACE</td> <td>± 0.38</td> <td>± ---</td> </tr> <tr> <td colspan="3">ANGULAR ± 1/2°</td> </tr> </table>		mm	INCH	4 PLACES	± ---	± ---	3 PLACES	± ---	± ---	2 PLACES	± 0.25	± ---	1 PLACE	± 0.38	± ---	ANGULAR ± 1/2°			DIMENSION STYLE MM ONLY	SCALE NTS	DESIGN UNITS METRIC	THIRD ANGLE PROJECTION
			mm	INCH																				
	4 PLACES		± ---	± ---																				
	3 PLACES		± ---	± ---																				
2 PLACES	± 0.25	± ---																						
1 PLACE	± 0.38	± ---																						
ANGULAR ± 1/2°																								
DESCRIPTION	<table border="1"> <tr> <td>DRAWN BY</td> <td>AAB</td> <td>DATE</td> <td>1989/05/15</td> </tr> <tr> <td>CHECKED BY</td> <td></td> <td>DATE</td> <td></td> </tr> <tr> <td>APPROVED BY</td> <td>MJM</td> <td>DATE</td> <td>1989/05/15</td> </tr> <tr> <td>WAZ</td> <td></td> <td>DATE</td> <td>1989/05/15</td> </tr> </table>	DRAWN BY	AAB	DATE	1989/05/15	CHECKED BY		DATE		APPROVED BY	MJM	DATE	1989/05/15	WAZ		DATE	1989/05/15	TITLE	2MM DUAL ROW VERTICAL RECEPTACLE T/H					
DRAWN BY	AAB	DATE	1989/05/15																					
CHECKED BY		DATE																						
APPROVED BY	MJM	DATE	1989/05/15																					
WAZ		DATE	1989/05/15																					
REV	DRAFT WHERE APPLICABLE MUST REMAIN WITHIN DIMENSIONS	MATERIAL NO.	SEE TABLE	DOCUMENT NO.	MOLEX INCORPORATED																			
		SIZE	A 3	SDA-79107-****		SHEET NO. 1 OF 3																		

10 | 9 | 8 | 7 | 6 | 5 | 4 | 3 | 2 | 1

CKT SIZE	DIM 'A'	DIM 'B'	P.C.TAIL DIMENSION 'C' = 3.00			P.C.TAIL DIMENSION 'C' = 1.91		
			PLATING OPTION 5	PLATING OPTION 4	PLATING OPTION 6	PLATING OPTION 5	PLATING OPTION 4	PLATING OPTION 6
			ITEM NO.	ITEM NO.	ITEM NO.	ITEM NO.	ITEM NO.	ITEM NO.
04	(4.19)	(2.00)	79107-7001	79107-7051	X 79107-7126	79107-7201	79107-7251	X 79107-7326
06	(6.19)	(4.00)	79107-7002	79107-7052	X 79107-7127	79107-7202	79107-7252	X 79107-7327
08	(8.19)	(6.00)	79107-7003	79107-7053	X 79107-7128	79107-7203	79107-7253	X 79107-7328
10	(10.19)	(8.00)	79107-7004	79107-7054	X 79107-7129	79107-7204	79107-7254	X 79107-7329
12	(12.19)	(10.00)	79107-7005	79107-7055	X 79107-7130	79107-7205	79107-7255	X 79107-7330
14	(14.19)	(12.00)	79107-7006	79107-7056	X 79107-7131	79107-7206	79107-7256	X 79107-7331
16	(16.19)	(14.00)	79107-7007	79107-7057	X 79107-7132	79107-7207	79107-7257	X 79107-7332
18	(18.19)	(16.00)	79107-7008	79107-7058	X 79107-7133	79107-7208	79107-7258	X 79107-7333
20	(20.19)	(18.00)	79107-7009	79107-7059	X 79107-7134	79107-7209	79107-7259	X 79107-7334
22	(22.19)	(20.00)	79107-7010	79107-7060	X 79107-7135	79107-7210	79107-7260	X 79107-7335
24	(24.19)	(22.00)	79107-7011	79107-7061	X 79107-7136	79107-7211	79107-7261	X 79107-7336
26	(26.19)	(24.00)	79107-7012	79107-7062	X 79107-7137	79107-7212	79107-7262	X 79107-7337
28	(28.19)	(26.00)	79107-7013	79107-7063	X 79107-7138	79107-7213	79107-7263	X 79107-7338
30	(30.19)	(28.00)	79107-7014	79107-7064	X 79107-7139	79107-7214	79107-7264	X 79107-7339
32	(32.19)	(30.00)	79107-7015	79107-7065	X 79107-7140	79107-7215	79107-7265	X 79107-7340
34	(34.19)	(32.00)	79107-7016	79107-7066	X 79107-7141	79107-7216	79107-7266	X 79107-7341
36	(36.19)	(34.00)	79107-7017	79107-7067	X 79107-7142	79107-7217	79107-7267	X 79107-7342
38	(38.19)	(36.00)	79107-7018	79107-7068	X 79107-7143	79107-7218	79107-7268	X 79107-7343
40	(40.19)	(38.00)	79107-7019	79107-7069	X 79107-7144	79107-7219	79107-7269	X 79107-7344
42	(42.19)	(40.00)	79107-7020	79107-7070	X 79107-7145	79107-7220	79107-7270	X 79107-7345
44	(44.19)	(42.00)	79107-7021	79107-7071	X 79107-7146	79107-7221	79107-7271	X 79107-7346
46	(46.19)	(44.00)	79107-7022	79107-7072	X 79107-7147	79107-7222	79107-7272	X 79107-7347
48	(48.19)	(46.00)	79107-7023	79107-7073	X 79107-7148	79107-7223	79107-7273	X 79107-7348
50	(50.19)	(48.00)	79107-7024	79107-7074	X 79107-7149	79107-7224	79107-7274	X 79107-7349

X - DENOTES THE ITEM IS NOT AVAILABLE CURRENTLY.

IPDES#1861 ADD 791075104. 5105 5106 5107 ELEC NO: S2009-0107 DRAWN AT SEE 2008/09/15 CHKD SKANG 2008/09/15 APPR: HLONG 2008/09/15 H1 REV DESCRIPTION	QUALITY SYMBOLS	GENERAL TOLERANCES (UNLESS SPECIFIED)	DIMENSION STYLE	SCALE	DESIGN UNITS	THIRD ANGLE PROJECTION	
	= 0 = 0	mm INCH 4 PLACES ± --- ± --- 3 PLACES ± --- ± --- 2 PLACES ± 0.25 ± --- 1 PLACE ± 0.38 ± --- ANGULAR ± 1/2°	MM ONLY	NTS	METRIC	DRAWN BY DATE AAB 1989/05/15 CHECKED BY DATE MJM 1989/05/15 APPROVED BY DATE WAZ 1989/05/15	TITLE 2MM DUAL ROW VERTICAL RECEPTACLE T/H
	DRAFT WHERE APPLICABLE MUST REMAIN WITHIN DIMENSIONS	SEE TABLE	MATERIAL NO.	DOCUMENT NO.	SHEET NO.	MOLEX INCORPORATED SDA-79107-**** 2 OF 3	
	THIS DRAWING CONTAINS INFORMATION THAT IS PROPRIETARY TO MOLEX INCORPORATED AND SHOULD NOT BE USED WITHOUT WRITTEN PERMISSION						

9 | 8 | 7 | 6 | 5 | 4 | 3 | 2 | 1

10 9 8 7 6 5 4 3 2 1

MOLDED VOID OPTION
ASSEMBLIES WITHOUT PEGS

CKT. SIZE	ASSEMBLY		VOID LOCATION(S) SEE SHEET 1 FOR CONVENTION		PLATING OPTION	DIM. "A"	DIM. "B"	P.C. TAIL DIM. "C"
	ITEM NO.	ROW	CKT. NO.(s)					
24	79107-5101	ROW B	6		5	(24.19)	(22.00)	(3.00)
10	79107-5102	ROW A	5		5	(10.19)	(8.00)	(3.00)
26	79107-5103	ROW B	5		5	(26.19)	(24.00)	(3.00)
20	79107-5104	ROW A	7		5	(20.19)	(18.00)	(1.91)
24	79107-5105	ROW B	10		5	(24.19)	(22.00)	(1.91)
20	79107-5106	ROW A	7		5	(20.19)	(18.00)	(3.00)
24	79107-5107	ROW B	10		5	(24.19)	(22.00)	(3.00)

X - DENOTES THE ITEM IS NOT AVAILABLE CURRENTLY.

NOTES

1. TERMINALS WILL BE PRESENT IN VOIDED LOCATIONS HOWEVER, PIN WINDOWS WILL BE CLOSED.
2. VOIDS CANNOT BE PRESENT IN BOTH ROWS ON A CONNECTOR.

IDPS#1861 ADD 791075104. 5105 5106 5107 ELEC NO: S22009-0107 DRAWN/TSEE 2008/09/03 CHYK/SKANG 2008/09/15 APPR:MLONG 2008/09/15 H1 REV	QUALITY SYMBOLS ▽=0 ▽=0	GENERAL TOLERANCES (UNLESS SPECIFIED) mm INCH 4 PLACES ± --- ± --- 3 PLACES ± --- ± --- 2 PLACES ± 0.25 ± --- 1 PLACE ± 0.38 ± --- ANGULAR ± 1/2°	DIMENSION STYLE MM ONLY DRAWN BY DATE AAB 1989/05/15 CHECKED BY DATE MJM 1989/05/15 APPROVED BY DATE WAZ 1989/05/15	SCALE NTS DESIGN UNITS METRIC THIRD ANGLE PROJECTION	TITLE 2MM DUAL ROW VERTICAL RECEPTACLE T/H	
	DRAFT WHERE APPLICABLE MUST REMAIN WITHIN DIMENSIONS	MATERIAL NO. SEE TABLE	MOLEX INCORPORATED SDA-79107-****	SHEET NO. 3 OF 3		
	SIZE A3				THIS DRAWING CONTAINS INFORMATION THAT IS PROPRIETARY TO MOLEX INCORPORATED AND SHOULD NOT BE USED WITHOUT WRITTEN PERMISSION	
	DOCUMENT NO.					

9 8 7 6 5 4 3 2 1