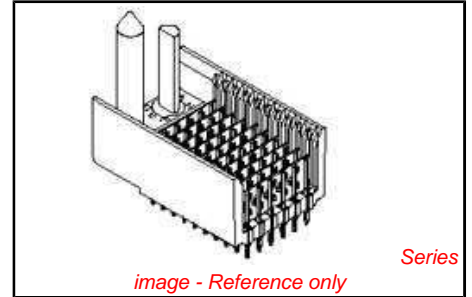


**PLEASE CHECK WWW.MOLEX.COM FOR LATEST PART INFORMATION**

**Part Number:** [0761358501](#)  
**Status:** **Active**  
**Overview:** [vhdm\\_h](#)  
**Description:** 2.00mm (.079") Pitch VHDM® H Board-to-Board Backplane Header, Vertical, 8-Row, Guide Pin, Signal End Module, Open End Version, 200 Circuits, Pin Length 4.75mm (.187"), Lead Free



**Documents:**

[Drawing \(PDF\)](#) [RoHS Certificate of Compliance \(PDF\)](#)  
[Product Specification PS-74031-999 \(PDF\)](#)

**General**

Product Family	Backplane Connectors
Series	76135
Application	Backplane
Comments	No Keying Position
Component Type	PCB Header
Overview	<a href="#">vhdm_h</a>
Product Name	VHDM® - H Series
Style	N/A

**Physical**

Circuits (Loaded)	200
Circuits (maximum)	200
Color - Resin	Black
Durability (mating cycles max)	200
First Mate / Last Break	No
Guide to Mating Part	Yes
Keying to Mating Part	None
Material - Metal	Copper Alloy
Material - Plating Mating	Gold
Material - Plating Termination	Tin
Material - Resin	High Temperature Thermoplastic
Number of Columns	25
Number of Pairs	Open Pin Field
Number of Rows	8
Orientation	Vertical
PC Tail Length (in)	0.072 In
PC Tail Length (mm)	1.83 mm
PCB Locator	No
PCB Retention	None
PCB Thickness Recommended (in)	0.072 In
PCB Thickness Recommended (mm)	1.83 mm
Packaging Type	Tube
Pitch - Mating Interface (in)	0.079 In
Pitch - Mating Interface (mm)	2.00 mm
Pitch - Term. Interface (in)	0.089 In
Pitch - Term. Interface (mm)	2.25 mm
Plating min: Mating (µin)	30
Plating min: Mating (µm)	0.75
Plating min: Termination (µin)	30
Plating min: Termination (µm)	0.75
Polarized to PCB	Yes
Stackable	No
Surface Mount Compatible (SMC)	Yes
Temperature Range - Operating	-55°C to +85°C

**EU RoHS**

**ELV and RoHS Compliant**  
**REACH SVHC**  
 Not Reviewed  
**Halogen-Free Status**  
 Not Reviewed

**China RoHS**



**Need more information on product environmental compliance?**

Email [productcompliance@molex.com](mailto:productcompliance@molex.com)  
 For a multiple part number RoHS Certificate of Compliance, [click here](#)

Please visit the [Contact Us](#) section for any non-product compliance questions.

**Search Parts in this Series**  
[76135Series](#)

**Application Tooling | FAQ**

*Tooling specifications and manuals are found by selecting the products below. Crimp Height Specifications are then contained in the Application Tooling Specification document.*

**Global**

Description	Product #
VHDM® Signal Pin Inserter Repair Tool	<a href="#">0622015700</a>
VHDM® 8 Row Pin and Shield Repair Tool	<a href="#">0622015900</a>
VHDM® 8 Row Shield Extraction Tool	<a href="#">0622016100</a>
VHDM® Insertion Module for Standard Shield Signal Header, 8 Row by	<a href="#">0622020210</a>

Termination Interface: Style

Through Hole - Compliant Pin

25 Wide, 50.00mm  
(1.97")

**Electrical**

Current - Maximum per Contact	1A
Data Rate	6.25 Gbps
Real Signals (per 25mm)	75
Shield Type	Ground Plane Shield
Shielded	Yes
Voltage - Maximum	120V AC (RMS)/DC

**Material Info**

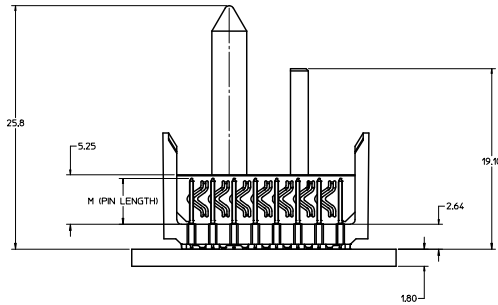
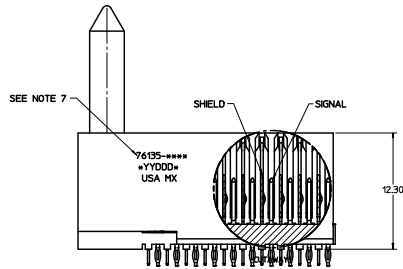
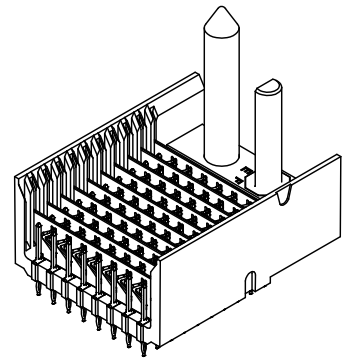
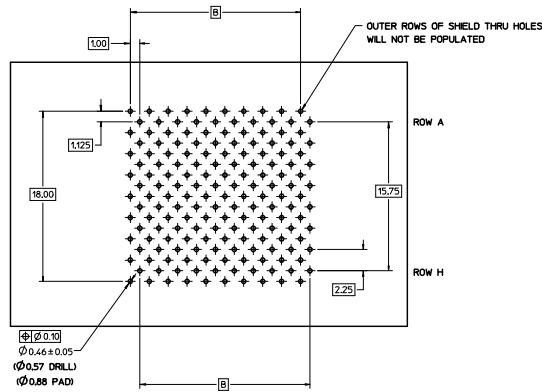
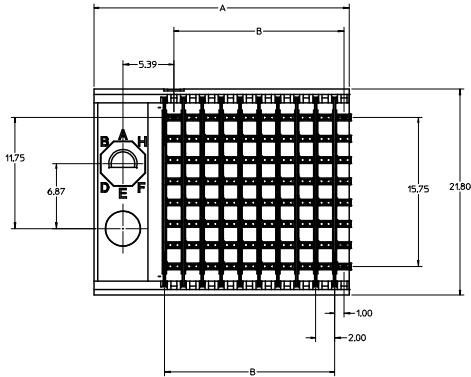
**Reference - Drawing Numbers**

Packaging Specification	PK-74061-003
Product Specification	PS-74031-999
Sales Drawing	SD-76135-001

VHDM and Very High Density Metric are trademarks of Amphenol Corporation

This document was generated on 05/27/2010

**PLEASE CHECK WWW.MOLEX.COM FOR LATEST PART INFORMATION**

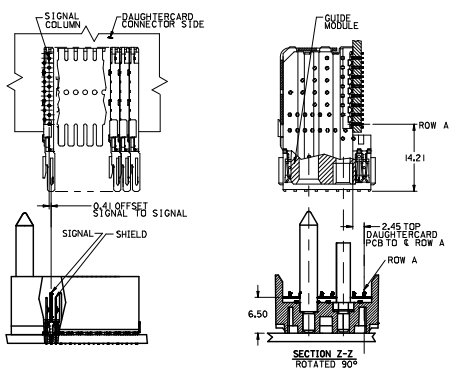


- NOTES:
1. MATERIALS:  
HOUSING - LIQUID CRYSTAL POLYMER (LCP)  
HOUSING - GLASS FILLED, UL94V-0, BLACK  
SIGNAL PIN AND SHIELD - COPPER ALLOY
  2. FINISHES:  
CONTACT AREA - SELECTIVE GOLD (Au)  
PCB TAILS - SELECTIVE TIN/LEAD (SP/PL) OR MATTE TIN (SM)
  3. THIS PART CONFORMS TO MOLEX PRODUCT SPECIFICATION PS-74031-999.
  4. FOR MIXED CONTACT LENGTH CONTACT MOLEX FOR AVAILABILITY.
  5. FOR SPECIFIC MATERIAL NUMBERS AND MATING INFORMATION REFER TO SHEET 2.
  6. PACKAGE PER PK-74061-003.
  7. ASSEMBLY WILL BE MARKED WITH P/PN AND DATE CODE WITH LASER MARK ON SIDE OF HOUSING OR BY LABEL ON THE TUBE.

INITIAL RELEASE ESD PREPARED BY DESIGNED BY CHECKED BY APPROVED BY DATE	QUALITY SYMBOLS ▽=0 ▽=0	GENERAL TOLERANCES (UNLESS SPECIFIED)		DIMENSION STYLE		SCALE	DESIGN UNITS	THIRD ANGLE PROJECTION	
		mm	INCH	MM ONLY		5:1	METRIC	☉	
		4 PLACES ±---	±---	DRAWN BY	DATE	TITLE			
		3 PLACES ±---	±---	JJONIAK	2008/04/11	VHDM H-SERIES 8 ROW SIGNAL END BACKPLANE SALES DRAWING			
2 PLACES ±0.15	±---	CHECKED BY	DATE	DRAWN BY					
1 PLACE ±0.25	±---	BINGHAM	2008/04/11	DATE					
APPROVED BY		DATE		DRAWN BY					
BINGHAM		2008/04/11		DATE					
ANGULAR ±1/2°		MATERIAL NO.		DOCUMENT NO.		SHEET NO.			
SEE PAGE 2		SD-76135-001		1 OF 2		1 OF 2			
DRAFT WHERE APPLICABLE MUST REMAIN WITHIN DIMENSIONS THIS DRAWING CONTAINS INFORMATION THAT IS PROPRIETARY TO MOLEX INCORPORATED AND SHOULD NOT BE USED WITHOUT WRITTEN PERMISSION									

20 19 18 17 16 15 14 13 12 11 10 9 8 7 6 5 4 3 2 1

M/N 76135-( )	---0*	---1*	---2*	---3*	---4*	---5*	---6*	---7*	---8*	76135 - * * *
KEYING PIN ORIENTATION										NUMBER OF COLUMNS PLATED: 10 = 10 COLUMN TINLEAD 15 = 15 COLUMN TINLEAD 25 = 25 COLUMN TINLEAD 80 = 10 COLUMN MATTE TN 82 = 12 COLUMN MATTE TN 85 = 25 COLUMN MATTE TN



PART NUMBER	COLUMN	NUMBER OF SIGNAL	NUMBER OF PIN	NUMBER OF SHIELD	A	B	M	Au (um) THICKNESS	Sn (um) THICKNESS
76135 -#0#1	10	80	10	27.00	18.00			0.76	
76135 -#0#6							4.75	1.27	
76135 -#5#1	25	200	25	57.00	48.00			0.76	
76135 -#5#6								1.27	
76135 -#0#2	10	80	10	27.00	18.00			0.76	
76135 -#0#7							6.25	1.27	
76135 -#5#2	25	200	25	57.00	48.00			0.76	
76135 -#5#7								1.27	
76135 -#0#3	10	80	10	27.00	18.00			0.76	0.76-1.52
76135 -#0#8							4.25	1.27	
76135 -#5#3	25	200	25	57.00	48.00			0.76	
76135 -#5#8								1.27	
76135 -#0#4	10	80	10	27.00	18.00			0.76	
76135 -#0#9							5.15	1.27	
76135 -#5#4	25	200	25	57.00	48.00			0.76	
76135 -#5#9								1.27	
76135 -#2#1	12	96	12	31.00	22.00	4.75		0.76	
76135 -#2#6								1.27	
76135 -#2#2	12	96	12	31.00	22.00	6.25		0.76	
76135 -#2#7								1.27	
76135 -#2#3	12	96	12	31.00	22.00	4.25		0.76	
76135 -#2#8								1.27	
76135 -#2#4	12	96	12	31.00	22.00	5.15		0.76	
76135 -#2#9								1.27	

INITIAL RELEASE EIT 1/15/05-27/8 DESIGNED BY JONIAK 2008/10/08 CHECKED BY JONIAK 2008/10/07 APPROVED BY JAMR 2008/10/09	QUALITY SYMBOLS	GENERAL TOLERANCES (UNLESS SPECIFIED)	DIMENSION STYLE	SCALE	DESIGN UNITS	THIRD ANGLE PROJECTION
	▽=0 ▽=0.15 ▽=0.25	4 PLACES ±--- ±--- 3 PLACES ±--- ±--- 2 PLACES ±0.15 ±--- 1 PLACE ±0.25 ±--- ANGULAR ±1/2°	MM ONLY	1:1	METRIC	
	DESCRIPTION	DRAWN BY	DATE	TITLE	VMDM H-SERIES 8 ROW SIGNAL END BACKPLANE SALES DRAWING	
	MATERIAL NO. SEE CHART DRAFT WHERE APPLICABLE MUST REMAIN WITHIN DIMENSIONS	APPROVED BY BINGHAM 2008/04/11	DATE 2008/04/11	MOLEX INCORPORATED DOCUMENT NO. SD-76135-001	SHEET NO. 2 OF 2	