

**PLEASE CHECK WWW.MOLEX.COM FOR LATEST PART INFORMATION**

**Part Number:** [0550910274](#)  
**Status:** **Active**  
**Overview:** [slimstack\\_0635mm\\_025\\_pitch](#)  
**Description:** 0.635mm (.025") Pitch SlimStack™ Header, Surface Mount, Dual Row, Vertical Stacking, 6.00 and 12.00mm (.236 and .472") Stacking Heights, Black, Lead-free, 20 Circuits, Robotic Placement Metal Cap, with Embossed Tape on Reel Packaging

**Documents:**

[3D Model](#) [Product Specification PS-52760-015 \(PDF\)](#)  
[Drawing \(PDF\)](#) [RoHS Certificate of Compliance \(PDF\)](#)

**Agency Certification**

UL E29179

**General**

Product Family PCB Headers  
 Series [55091](#)  
 Application Board-to-Board  
 Comments Stacking-Type  
 MolexKits Yes  
 Overview [slimstack\\_0635mm\\_025\\_pitch](#)  
 Product Name SlimStack™

**Physical**

Breakaway No  
 Circuits (Loaded) 20  
 Color - Resin Black  
 Durability (mating cycles max) 50  
 Flammability 94V-0  
 Glow-Wire Compliant No  
 Lock to Mating Part Yes  
 Mated Height (in) 0.236 In, 0.472 In  
 Mated Height (mm) 12.00 mm, 6.00 mm  
 Material - Metal Copper Alloy  
 Material - Plating Mating Gold  
 Material - Plating Termination Tin  
 Number of Rows 2  
 Orientation Vertical  
 PCB Locator Yes  
 PCB Retention Yes  
 Packaging Type Embossed Tape on Reel  
 Pitch - Mating Interface (in) 0.025 In  
 Pitch - Mating Interface (mm) 0.64 mm  
 Polarized to PCB Yes  
 Robotic Placement Metal Cap  
 Stackable No  
 Temperature Range - Operating -55°C to +85°C  
 Termination Interface: Style Surface Mount

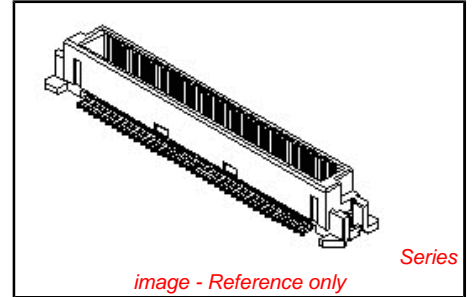
**Electrical**

Current - Maximum per Contact 0.5A  
 Voltage - Maximum 100V

**Material Info**

**Reference - Drawing Numbers**

Packaging Specification SPK-55091-001



**EU RoHS**

**ELV and RoHS Compliant**

**REACH SVHC**

Not Reviewed

**Halogen-Free**

**Status**

**Halogen-Free**

**Need more information on product environmental compliance?**

Email [productcompliance@molex.com](mailto:productcompliance@molex.com)  
 For a multiple part number RoHS Certificate of Compliance, [click here](#)

Please visit the [Contact Us](#) section for any non-product compliance questions.

**China RoHS**



**Search Parts in this Series**

[55091Series](#)

**Mates With**

SlimStack™ Receptacle [52760](#) , [52837](#) , [52885](#) , [52901](#)

Product Specification

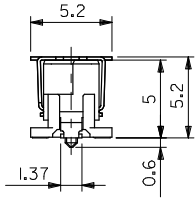
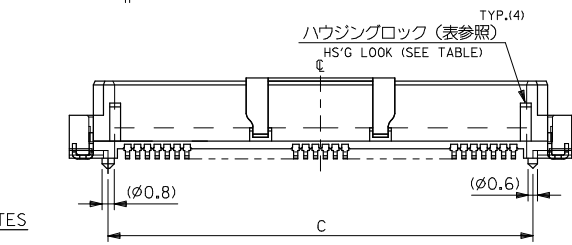
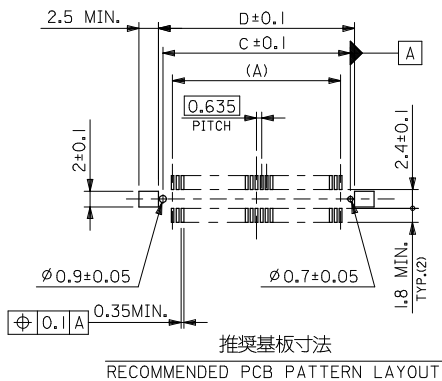
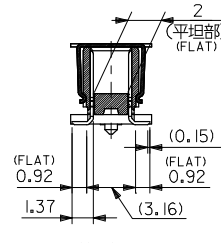
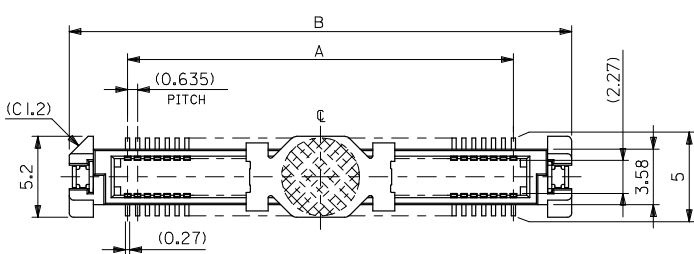
Sales Drawing

PS-52760-015, RPS-52760-017, RPS-52760-018,  
RPS-52760-020, RPS-52760-021, RPS-52760-022,  
RPS-52760-029, RPS-52901-012  
SD-55091-006, SD-55091-007

This document was generated on 06/07/2010

**PLEASE CHECK [WWW.MOLEX.COM](http://WWW.MOLEX.COM) FOR LATEST PART INFORMATION**

10 9 8 7 6 5 4 3 2 1



注) NOTES

- 材質 MATERIAL  
ハウジング : ガラス入りLCP、黒色、UL94V-0  
HOUSING: LIQUID CRYSTAL POLYMER (LCP), GLASS FILLED, BLACK, UL94V-0  
ターミナル : 銅合金 (t=0.2)  
TERMINAL: COPPER ALLOY  
吸着カバー : ステンレス (t=0.2)  
VACUUM COVER: STAINLESS STEEL  
補強金具 : 銅合金 (t=0.25)  
FITTING NAIL: COPPER ALLOY
- メッキ仕様 PLATING  
ターミナル : 接点部 : 金メッキ 0.25 マイクロメートル以上。  
TERMINAL CONTACT AREA : GOLD 0.25 MICROMETER MINIMUM.  
半田付け部 : 錫メッキ 1.0 マイクロメートル以上。  
SOLDER TAIL AREA : TIN 1.0 MICROMETER MINIMUM.  
下地メッキ : ニッケルメッキ 1.5 マイクロメートル以上。  
UNDER-PLATING : NICKEL 1.5 MICROMETER MINIMUM.  
補強金具 : 銅メッキ 1.0 マイクロメートル以上。  
FITTING NAIL TIN 1.0 MICROMETER MINIMUM.  
下地メッキ : ニッケルメッキ 1.0 マイクロメートル以上。  
UNDER-PLATING: NICKEL 1.0 MICROMETER MINIMUM.
- テールのバラツキ寸法 TAIL COPLANARITY  
テール及び金具の平坦度は、0.1以下とする。  
TAIL AND FITTING NAIL COPLANARITY TO BE 0.1 MAXIMUM.
- エンボス対応済みの極数については、SD-55091-007を参照下さい。  
FOR THE EMBOSSED PACKAGE PRODUCTS, SEE SD-55091-007.
- 本製品は55091-\*\*\*2の鉛フリー品である。  
THIS PRODUCT IS LEAD FREE OF 55091-\*\*\*2.

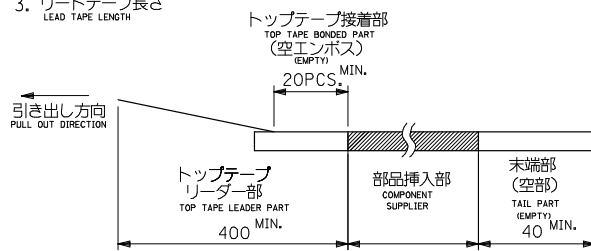
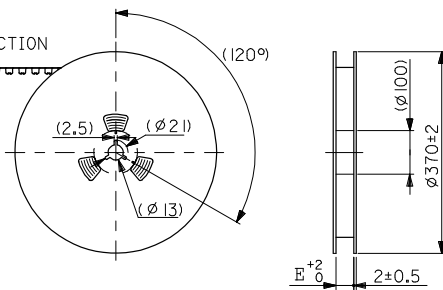
無し NO	79.17	78.07	83.07	75.565	←	55091-2475	55091-2472	240	○
	66.47	65.37	70.37	62.865	←	-2075	-2072	200	○
	60.12	59.02	64.02	56.515	←	-1875	-1872	180	○
	53.77	52.67	57.67	50.165	55091-1674	-1675	-1672	160	○
	47.42	46.32	51.32	43.815	55091-1474	-1475	-1472	140	○
	41.07	39.97	44.97	37.465	55091-1274	-1275	-1272	120	○
	34.72	33.62	38.62	31.115	55091-1074	-1075	-1072	100	○
	31.55	30.45	35.45	27.94	55091-0974	-0975	-0972	90	○
	28.37	27.27	32.27	24.765	55091-0874	-0875	-0872	80	○
	25.2	24.1	29.1	21.59	55091-0774	-0775	-0772	70	○
有り YES	24.56	23.46	28.46	20.955	←	-6875	-6872	68	○
	22.02	20.92	25.92	18.415	55091-0674	-0675	-0672	60	○
	18.85	17.75	22.75	15.24	55091-0574	-0575	-0572	50	○
	15.67	14.57	19.57	12.065	55091-0474	-0475	-0472	40	○
	12.5	11.4	16.4	8.89	55091-0374	-0375	-0372	30	○
9.32	8.22	13.22	5.715	55091-0274	-0275	-0272	20	○	

REVISED EC NO: J2009-0365 DRAWN BY: H. KAWABATA CHKD: THARYAMA APPR: NIKITA	GENERAL TOLERANCES (UNLESS SPECIFIED)		DIMENSION STYLE MM ONLY		SCALE ---	DESIGN UNITS METRIC	THIRD ANGLE PROJECTION
	10 UNDER	±0.2	DRAWN BY H. KAWABATA	DATE '04/03/05	TITLE 0.635 PITCH B-T0-B PLUG HS'G COVER ASS'Y -LEAD FREE-		
	10 OVER 30 UNDER	±0.25	CHECKED BY K. TOJO	DATE '04/03/05	MATERIAL NO. SEE TABLE		
	30 OVER	±0.3	APPROVED BY M. SASAO	DATE '04/03/05	DOCUMENT NO. SD-55091-006		
ANGULAR ±3°		DRAFT WHERE APPLICABLE MUST REMAIN WITHIN DIMENSIONS		SIZE A3		SHEET NO. 1 OF 1	

注)  
NOTES

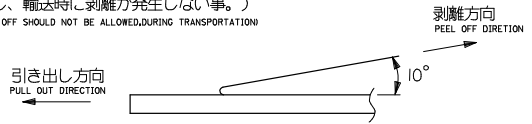
1. 製品番号 55091-\*\*\*72 の詳細寸法については、SD-55091-006 を参照下さい。  
IN THE PACKAGE, PART NO. 55091-\*\*\*72 DETAILED DIMENSIONS, SEE SD-55091-006.
2. 梱包数量 : 1000 個/リール  
NUMBER OF CONNECTORS : 1000 Pcs/REEL
3. リードテープ長さ  
LEAD TAPE LENGTH

引き出し方向  
PULL OUT DIRECTION



4. トップテープの剥離強度 : (剥離方向は下図参照)  
PEELING OFF FORCE OF TOP TAPE (PEELING DIRECTION AS SHOWN IN FOLLOWING FIG.)  
0. 1~1. 3N {10~130gf}

尚、本規格値は、出荷時に適用。  
THIS REQUIREMENT SHOULD BE APPLIED AT SHIPMENT  
(但し、輸送時に剥離が発生しない事。)  
(PEEL OFF SHOULD NOT BE ALLOWED DURING TRANSPORTATION)



5. 材料

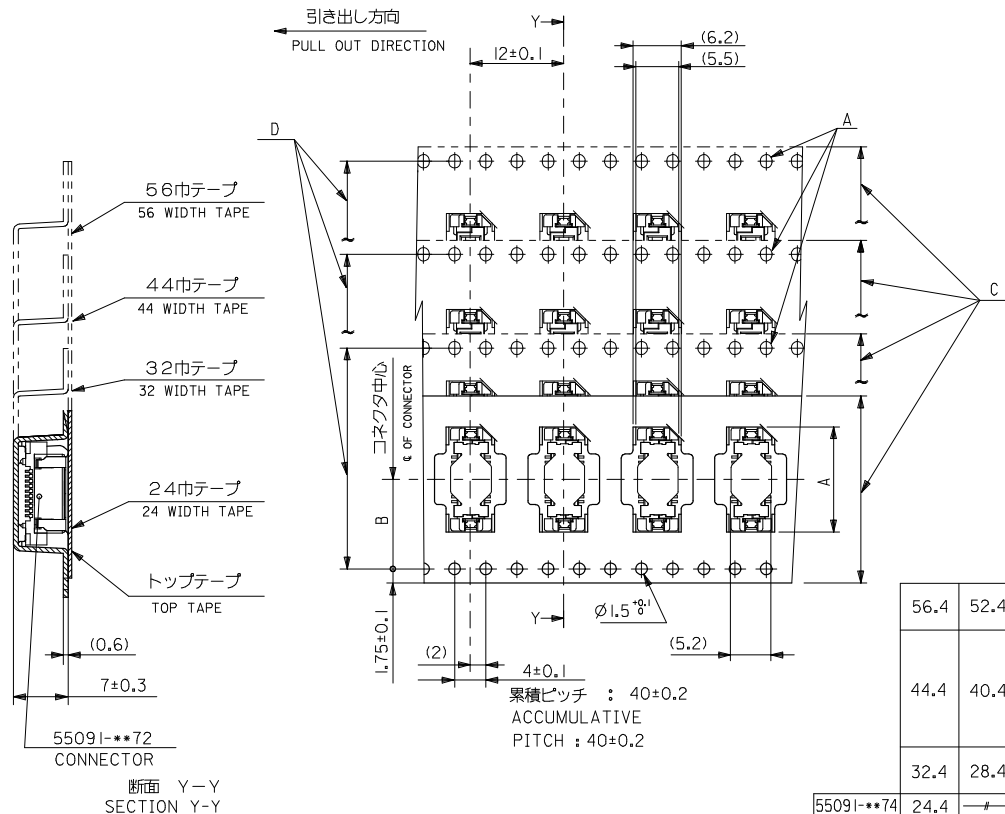
MATERIAL  
キャリアテープ : ポリプロピレン (PP)  
CARRIER TAPE : POLYPROPYLENE (PP)  
トップテープ : PET, PE, PEF  
TOP TAPE : PET, PE, PEF  
リール : 紙  
REEL : CARDBOARD

6. 本製品は55091-\*\*\*4の鉛フリー品である。  
THIS PRODUCT IS LEAD FREE OF 55091-\*\*\*4.

MODEL NO. 55091-\*\*\*74

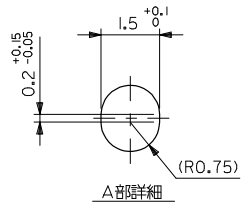
REVISED EC NO: J2009-0365 DRAWN BY: DRWNMBEL CHKD: THARYAMA APPR: NIKITA REV. DESCRIPTION 2008/08/06 2008/08/07 2008/08/07	GENERAL TOLERANCES (UNLESS SPECIFIED)		DIMENSION STYLE MM ONLY		SCALE ---	DESIGN UNITS METRIC	THIRD ANGLE PROJECTION
	10 UNDER	±0.2	DRAWN BY KAWABATA	DATE '04/03/05	TITLE 55091-***72 TAPING PACKAGE -LEAD FREE-		
	10 OVER 30 UNDER	±0.25	CHECKED BY KTOJO	DATE '04/03/05			
	30 OVER	±0.3	APPROVED BY MSASAO	DATE '04/03/05	MOLEX INCORPORATED		
ANGULAR	±3°	MATERIAL NO. SEE SHEET 2,3	DOCUMENT NO. SD-55091-007	SHEET NO. 1 OF 3			
DRAFT WHERE APPLICABLE MUST REMAIN WITHIN DIMENSIONS		THIS DRAWING CONTAINS INFORMATION THAT IS PROPRIETARY TO MOLEX INCORPORATED AND SHOULD NOT BE USED WITHOUT WRITTEN PERMISSION					

10 9 8 7 6 5 4 3 2 1



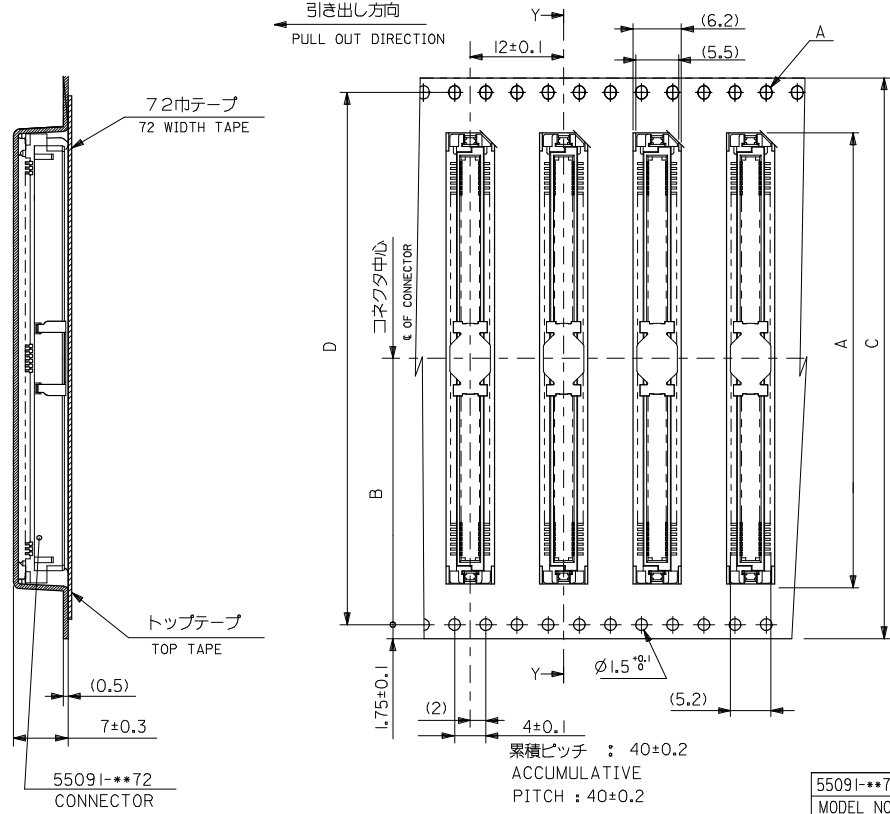
56.4	52.4	56 <sup>+0.3</sup>	26.2	38.9	55091-1074	100	○
				35.8	-0974	90	○
				32.6	-0874	80	○
				29.4	-0774	70	○
				28.8	-6874	68	-
				26.2	-0674	60	○
				23.1	-0574	50	○
				19.9	-0474	40	○
				16.7	-0374	30	○
						20	○
55091-**74	24.4	24 <sup>+0.3</sup>	11.5	13.5	55091-0274	20	○

MODEL NO	B	D	C	キャリアテープ幅 CARRIER TAPE WIDTH	B	A	MATERIAL NO.	積欠 NO OF EXTS. AVAILABLE
----------	---	---	---	--------------------------------	---	---	--------------	-----------------------------



REVISED IEC NO: J2009-0365 DRAWN BY: 2008/08/06 CHYKD:THARYAMA APPR:NIKIITA 2008/08/07 2008/08/07	GENERAL TOLERANCES (UNLESS SPECIFIED)		DIMENSION STYLE	SCALE	DESIGN UNITS	THIRD ANGLE PROJECTION
			MM ONLY	---	METRIC	
	10 UNDER	±0.2	DRAWN BY	DATE	TITLE	
	10 OVER	±0.25	KAWABATA	'04/03/05	55091-**72 TAPING PACKAGE -LEAD FREE-	
30 OVER	±0.3	CHECKED BY	DATE	APPROVED BY		DATE
ANGULAR	±3°	KT0JO	'04/03/05	MSASAO		'04/03/05
DRAFT WHERE APPLICABLE MUST REMAIN WITHIN DIMENSIONS		MATERIAL NO.		SEE TABLE	DOCUMENT NO.	SHEET NO.
		A3		THIS DRAWING CONTAINS INFORMATION THAT IS PROPRIETARY TO MOLEX INCORPORATED AND SHOULD NOT BE USED WITHOUT WRITTEN PERMISSION	SD-55091-007	2 OF 3

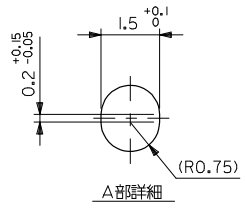
10 9 8 7 6 5 4 3 2 1



累積ピッチ : 40±0.2  
ACCUMULATIVE PITCH : 40±0.2

MODEL NO.	55091-**74	E	D	C	キャリアテープ幅 C CARRIER TAPE WIDTH	(B)	(A)	MATERIAL NO.	58.0	55091-1674	160	○
									51.6	55091-1474	140	○
									45.3	55091-1274	120	○

REVISED EC NO: J2009-0365 DRAWN: MABEL 2008/08/06 CHKD: THARYAMA 2008/08/07 APPR: NIKITA 2008/08/07	GENERAL TOLERANCES (UNLESS SPECIFIED)		DIMENSION STYLE	SCALE	DESIGN UNITS	THIRD ANGLE PROJECTION
			MM ONLY	---	METRIC	
	10 UNDER	±0.2	DRAWN BY	DATE	TITLE	
	10 OVER	±0.25	KAWABATA	'04/03/05	55091-**72 TAPING PACKAGE -LEAD FREE-	
30 OVER	±0.3	CHECKED BY	DATE	APPROVED BY		
		KTOJO	'04/03/05	MSASAO		
ANGULAR	±3°	APPROVED BY	DATE	MOLEX INCORPORATED		
DRAFT WHERE APPLICABLE MUST REMAIN WITHIN DIMENSIONS		MATERIAL NO.	DATE	DOCUMENT NO.	SHEET NO.	
		SEE TABLE	'04/03/05	SD-55091-007	3 OF 3	
		SIZE	THIS DRAWING CONTAINS INFORMATION THAT IS PROPRIETARY TO MOLEX INCORPORATED AND SHOULD NOT BE USED WITHOUT WRITTEN PERMISSION			
		A3				



ib\_frame\_A3\_J\_ME\_S Rev. D 2004/04/02 9 8 7 6 5 4 3 2 1 EN-02JA(021)