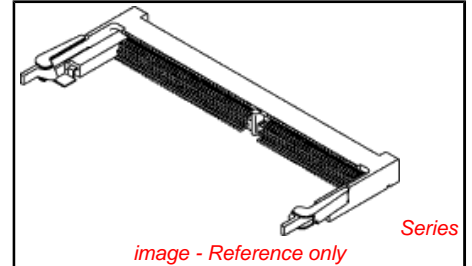


PLEASE CHECK WWW.MOLEX.COM FOR LATEST PART INFORMATION

Part Number: [0546987007](#)
Status: **Active**
Description: 0.80mm (.031") Pitch S.O. DIMM Socket, Right Angle, Surface Mount, 5.20mm (.205") Mounted Height, 144 Circuits, 5.0V Power Supply, Hard Tray Packaging, Height 9.00mm (.354") Type, Lead-free

Documents:

3D Model	Product Specification PS-54698-003 (PDF)
Drawing (PDF)	RoHS Certificate of Compliance (PDF)



General

Product Family	Memory Module Sockets
Series	54698
Comments	5.0V Power Supply
Component Type	Memory Module
JEDEC Outline	N/A
Product Name	S.O. DIMM

Physical

Circuits (Loaded)	144
Color - Resin	Natural
Durability (mating cycles max)	30
Entry Angle	90° Angle (Side Entry)
Keying to Mating Part	Yes
Material - Metal	Brass, Phosphor Bronze
Material - Plating Mating	Gold
Material - Plating Termination	Tin
Material - Resin	High Temperature Thermoplastic
PCB Retention	Yes
PCB Thickness Recommended (in)	0.045 In
PCB Thickness Recommended (mm)	1.20 mm
Packaging Type	Tray
Pitch - Mating Interface (in)	0.031 In
Pitch - Mating Interface (mm)	0.80 mm
Plating min: Mating (µin)	10
Plating min: Mating (µm)	0.25
Plating min: Termination (µin)	40
Plating min: Termination (µm)	1
Temperature Range - Operating	-55°C to +85°C
Termination Interface: Style	Surface Mount

Electrical

Current - Maximum per Contact	0.3A
Voltage - Maximum	100V
Voltage Key	5.0V

Material Info

Reference - Drawing Numbers

Product Specification	PS-54698-003
Sales Drawing	SD-54698-004, SD-54698-006

<p>EU RoHS ELV and RoHS Compliant REACH SVHC Not Reviewed Halogen-Free Status Not Reviewed</p>	<p>China RoHS</p> 
---	--

Need more information on product environmental compliance?

Email productcompliance@molex.com
 For a multiple part number RoHS Certificate of Compliance, [click here](#)

Please visit the [Contact Us](#) section for any non-product compliance questions.

Search Parts in this Series

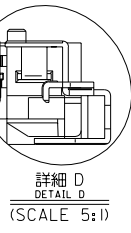
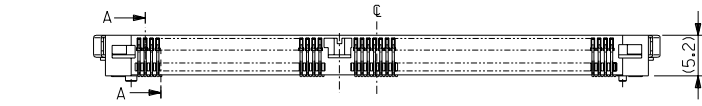
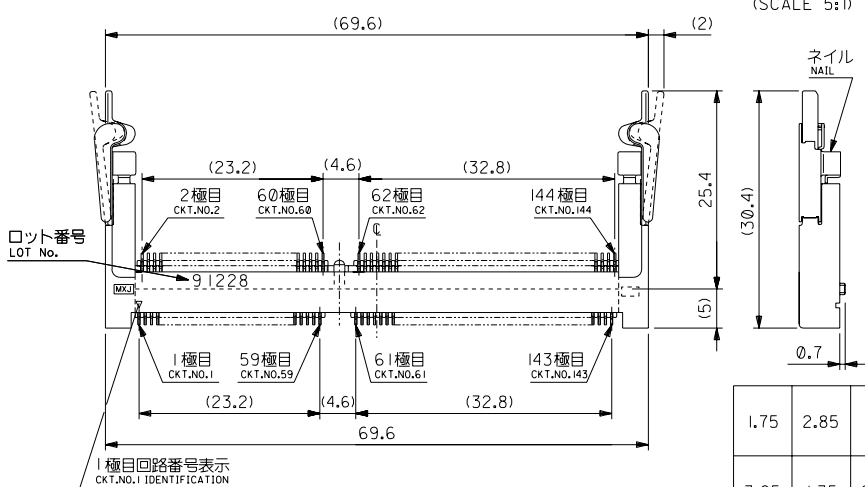
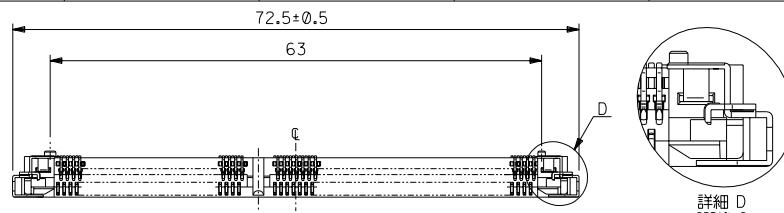
54698Series

Mates With

JEDEC Standard DRAM and SDRAM modules

PLEASE CHECK WWW.MOLEX.COM FOR LATEST PART INFORMATION

DWG. NO. SD-54698-004



注記 1. 材料 ハウジング : ガラス入り耐熱樹脂、白色、UL94V-0
 MATERIAL HOUSING : GF-HEAT RESISTANT PLASTIC, WHITE, UL94V-0
 ターミナル : 燐青銅
 TERMINAL : PHOSPHOR BRONZE
 ネイル : 黄銅
 NAIL : BRASS

2. めっき仕様 ロングターミナル
 PLATING LONG TERMINAL
 接点部 : 金めっき 0.25μmMIN.
 CONTACT AREA : GOLD 0.25 MICROMETER MINIMUM.
 半田付け部 : 錫めっき 1.0μmMIN.
 SOLDER TAIL AREA : TIN 1.0 MICROMETER MINIMUM.
 下地めっき : ニッケルのめっき 2.0μmMIN.
 UNDER-PLATING : NICKEL 2.0 MICROMETER MINIMUM.

ショートターミナル
 SHORT TERMINAL
 接点部 : 金めっき 0.25μmMIN.
 CONTACT AREA : GOLD 0.25 MICROMETER MINIMUM.
 半田付け部 : 錫めっき 1.0μmMIN.
 SOLDER TAIL AREA : TIN 1.0 MICROMETER MINIMUM.
 下地めっき : ニッケルのめっき 2.0μmMIN.
 UNDER-PLATING : NICKEL 2.0 MICROMETER MINIMUM.

ネイル
 NAIL
 錫めっき : 1.0μmMIN.
 TIN : 1.0 MICROMETER MINIMUM.
 下地めっき : ニッケルのめっき 1.0μmMIN.
 UNDER-PLATING : NICKEL 1.0 MICROMETER MINIMUM.

3. テール平坦度は、0.1 MAX. とする。
 TAIL COPLANARITY TO BE 0.1 MAX.
 ネイル平坦度は、0.1 MAX. とする。
 NAIL COPLANARITY TO BE 0.1 MAX.

4. 本製品は54698-144*の鉛フリー品である。
 THIS PRODUCT IS LEAD FREE OF 54698-144*.

1.75	2.85	1.35	3.25	4.05	***V	ハードトレイ (高さ9) HARD TRAY(HIGHT 9)	54698-7008	54698-700*
						ハードトレイ (高さ11) HARD TRAY(HIGHT 11)	54698-7005	
						標準トレイ NORMAL TRAY	54698-7002	
3.25	1.35	2.85	1.75	5.55	5.0V	ハードトレイ (高さ9) HARD TRAY(HIGHT 9)	54698-7007	
						ハードトレイ (高さ11) HARD TRAY(HIGHT 11)	54698-7004	
						標準トレイ NORMAL TRAY	54698-7001	
						ハードトレイ (高さ9) HARD TRAY(HIGHT 9)	54698-7006	
						ハードトレイ (高さ11) HARD TRAY(HIGHT 11)	54698-7003	
						標準トレイ NORMAL TRAY	54698-7000	

DO NOT SCALE DRAWING					MATERIAL 材料 注記参照 SEE NOTES		GENERAL TOLERANCES: (UNLESS SPECIFIED) 一般公差		SCALE 2:1		DESIGN UNITS <input checked="" type="checkbox"/> mm <input type="checkbox"/> INCH		THIRD ANGLE PROJECTION <input type="checkbox"/> mm <input type="checkbox"/> INCH <input checked="" type="checkbox"/> ONLY		DIMENSIONS: <input type="checkbox"/> mm <input type="checkbox"/> INCH <input checked="" type="checkbox"/> mm ONLY		SHT REV REVISE ON CAD ONLY	
EC NO. DRWN: CHK: APPR:	EC NO. DRWN: CHK: APPR:	EC NO. DRWN: CHK: APPR:	EC NO. DRWN: CHK: APPR:	EC NO. DRWN: CHK: APPR:	RELEASED EC NO. J2004-4231 DRWN: M.NAGATA 04/05/14 CHK: K.TOJO 04/05/14 APPR: M.SASAO 04/05/14	FINISH 仕上げ 注記参照 SEE NOTES	WIRE RANGE 適用電線範囲	INS. RANGE 被覆外径	10 UNDER 未満 10 OVER 以上	30 UNDER 未満 30 OVER 以上	+0.2 +0.25 +0.3	DRAWN BY & DATE M.NAGATA 04/05/14	CHECKED BY & DATE K.TOJO 04/05/14	APPROVED BY & DATE M.SASAO 04/05/14	TITLE: 0.8mm PITCH S.O.DIMM SOCKET 144CKT. HEIGHT5.2mm -LEAD FREE-		MOLEX INCORPORATED	
					0				ANGLE 角度		+3°	CAD FILENAME SD-54698-004.S01	SEE CHART	MATERIAL NO. SD-54698-004	DRAWING NO.	SHEET NO. 1 OF 3	SIZE B	

EN-02J(097) MXJ-54

DWG. NO. SD-54698-004

F

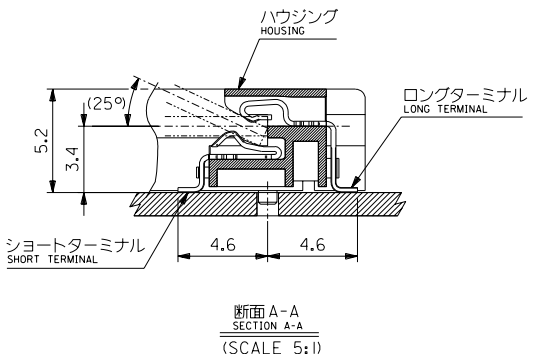
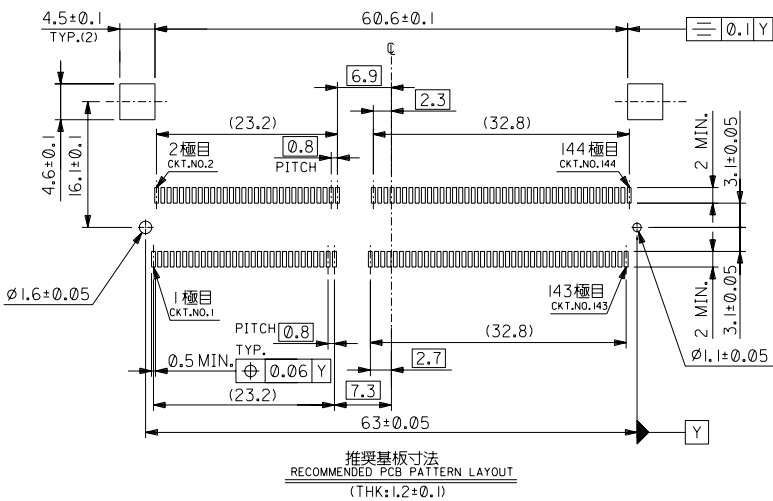
D

C

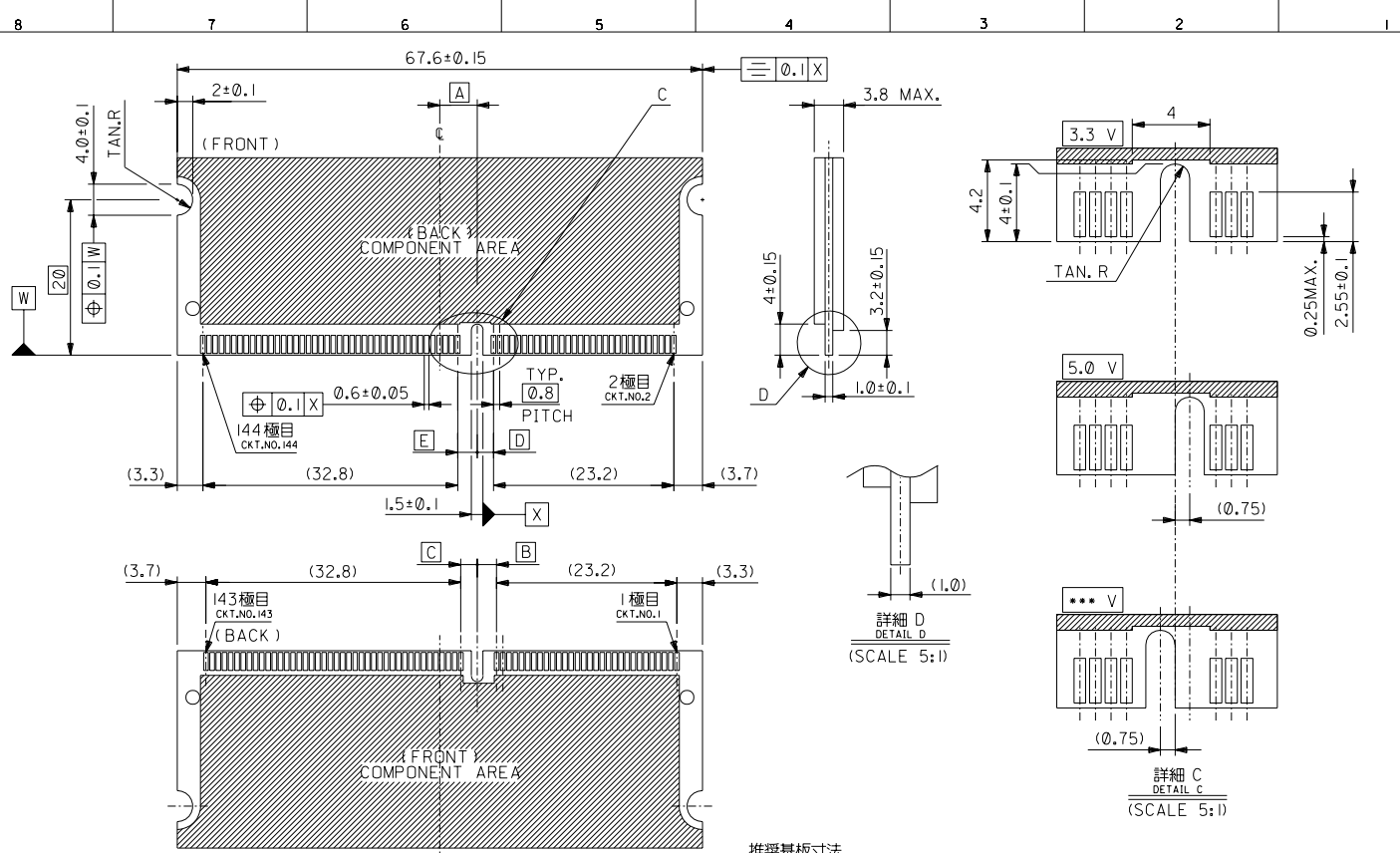
B

DO NOT SCALE DRAWING

8 7 6 5 4 3 2 1



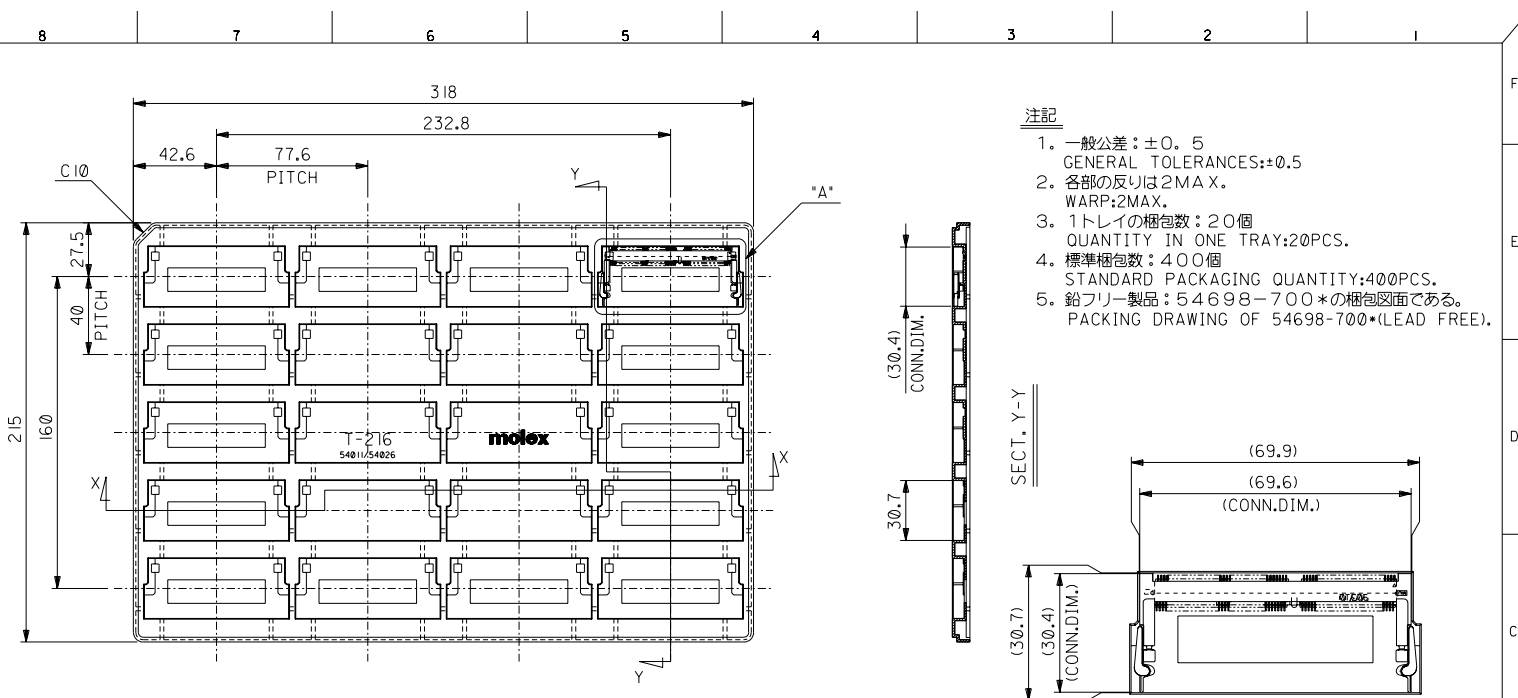
EC NO. DRWN: CHK: APPR:	EC NO. DRWN: CHK: APPR:	EC NO. DRWN: CHK: APPR:	EC NO. DRWN: CHK: APPR:	EC NO. DRWN: CHK: APPR:	EC NO. DRWN: CHK: APPR:	EC NO. DRWN: CHK: APPR:	EC NO. DRWN: CHK: APPR:	EC NO. DRWN: CHK: APPR:	EC NO. DRWN: CHK: APPR:	REV	DESCRIPTION	MATERIAL	FINISH	WIRE RANGE	INS. RANGE	GENERAL TOLERANCES: (UNLESS SPECIFIED) — 公差	SCALE 2:1	MODEL NO. DESIGN UNITS <input checked="" type="checkbox"/> mm <input type="checkbox"/> INCH	54698-700*	DIMENSIONS: <input type="checkbox"/> mm <input type="checkbox"/> INCH <input checked="" type="checkbox"/> mm ONLY	SHT REV
									0	SEE 1 OF 3	注記参照 SEE NOTES	注記参照 SEE NOTES	仕上付 注記参照 SEE NOTES	適用電線範囲 —	被覆外径 —			DRAWN BY & DATE M.NAGATA '04/05/14	THIRD ANGLE PROJECTION	TITLE: 0.8mm PITCH S.O.DIMM SOCKET I44CKT. HEIGHT5.2mm -LEAD FREE-	REVISE ON CAD ONLY
																		CHECKED BY & DATE K.TOJO '04/05/14	MOLEX INCORPORATED		
																		APPROVED BY & DATE M.SASAO '04/05/14	MATERIAL NO. SEE CHART	DRAWING NO. SD-54698-004	SHEET NO. 2 OF 3
																		CAD FILENAME SD-54698-004.S02			SIZE B
																		THIS DRAWING CONTAINS INFORMATION THAT IS PROPRIETARY TO MOLEX INCORPORATED AND SHOULD NOT BE USED WITHOUT WRITTEN PERMISSION.			EN-02J(097) MXJ-54



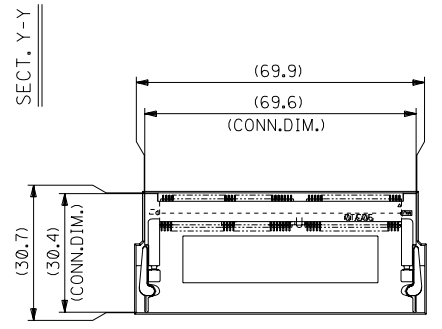
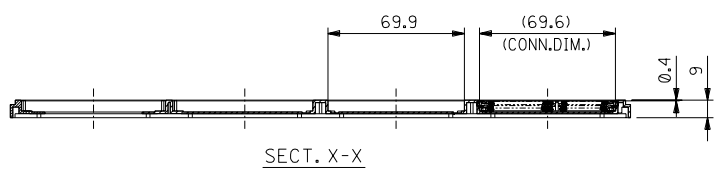
推奨基板寸法
RECOMMENDED MATING BOARD CONFIGURATION
(THK:1.0±0.1)

DO NOT SCALE DRAWING

EC NO. DRWN: CHK: APPR:	EC NO. DRWN: CHK: APPR:	EC NO. DRWN: CHK: APPR:	EC NO. DRWN: CHK: APPR:	EC NO. DRWN: CHK: APPR:	EC NO. SEE 1 OF 3 DRWN: CHK: APPR:	DESCRIPTION MATERIAL 材料 注記参照 SEE NOTES FINISH 仕上付 注記参照 SEE NOTES WIRE RANGE 適用電線範囲 INS. RANGE 被覆外径	GENERAL TOLERANCES: (UNLESS SPECIFIED) 一般公差	SCALE 2:1	MODEL NO. DESIGN UNITS 54698-700* <input checked="" type="checkbox"/> mm <input type="checkbox"/> INCH	DIMENSIONS: <input type="checkbox"/> mm <input type="checkbox"/> INCH <input checked="" type="checkbox"/> mm ONLY	SHT REV
							10 UNDER 未満 +0.2	DRAWN BY & DATE M.NAGATA '04/05/14	TITLE: 0.8mm PITCH S.O.DIMM SOCKET I44CKT. HEIGHT5.2mm -LEAD FREE-		
							10 OVER 30 UNDER 以上 未満 +0.25	CHECKED BY & DATE K.TOJO '04/05/14			
							30 OVER 以上 +0.3	APPROVED BY & DATE M.SASAO '04/05/14			
						REV	ANGLE 角度 +3°	CAD FILENAME SD-54698-004.S03	MATERIAL NO. SEE CHART	DRAWING NO. SD-54698-004	SHEET NO. 3 OF 3 SIZE B
							THIS DRAWING CONTAINS INFORMATION THAT IS PROPRIETARY TO MOLEX INCORPORATED AND SHOULD NOT BE USED WITHOUT WRITTEN PERMISSION.				EN-02J(097) MXJ-54



- 注記**
1. 一般公差：±0.5
GENERAL TOLERANCES: ±0.5
 2. 各部の反りは2MAX.
WARP: 2MAX.
 3. 1トレイの梱包数：20個
QUANTITY IN ONE TRAY: 20PCS.
 4. 標準梱包数：400個
STANDARD PACKAGING QUANTITY: 400PCS.
 5. 鉛フリー製品：54698-700*の梱包図面である。
PACKING DRAWING OF 54698-700*(LEAD FREE).



DETAIL A
(SCALE 1:1)

54698-7008	
54698-7007	T-216
54698-7006	
適用製品番号 APPLICABLE PART NO.	MATERIAL NO.
DIMENSIONS:	SHT REV
<input type="checkbox"/> mm <input type="checkbox"/> INCH	<input type="checkbox"/> OTHERWISE ON CAD ONLY
<input type="checkbox"/> mm ONLY	
TITLE: HARD TRAY FOR 0.8mm PITCH S.O.DIMM HS'G ASS'Y I44CKT. -LEAD FREE-	
MOLEX INCORPORATED	
CAD FILENAME SD-54698-006.S01	MATERIAL NO. SEE CHART
DRAWING NO. SD-54698-006	SHEET NO. 1 OF 1
DRAWING CONTAINS INFORMATION THAT IS PROPRIETARY TO MOLEX INCORPORATED AND SHOULD NOT BE USED WITHOUT WRITTEN PERMISSION.	
SIZE B	

DO NOT SCALE DRAWING

DESIGNER DRWN: M.NAGATA	RELEASED
CHECKER CHK: K.TOJO	J2004-4231
APPROVER APPR: M.SASAO	
	DRWN: M.NAGATA
	CHK: K.TOJO
	APPR: M.SASAO

MATERIAL 材料	ポリスチレン POLYSTYRENE (帯電防止剤入り) (ANTI-STATIC)
FINISH 仕上り	—
WIRE RANGE 適用電線範囲	—
INS. RANGE 被覆外径	—

GENERAL TOLERANCES: (UNLESS SPECIFIED)	SCALE	DESIGN UNITS
10 UNDER 未満	1:2	<input checked="" type="checkbox"/> mm <input type="checkbox"/> INCH
10 OVER 以上		
30 UNDER 未満		
30 OVER 以上		
ANGLE 角度		

DRAWN BY & DATE M.NAGATA 04/05/14	TITLE: HARD TRAY FOR 0.8mm PITCH S.O.DIMM HS'G ASS'Y I44CKT. -LEAD FREE-
CHECKED BY & DATE K.TOJO 04/05/14	
APPROVED BY & DATE M.SASAO 04/05/14	

CAD FILENAME SD-54698-006.S01	MATERIAL NO. SEE CHART	DRAWING NO. SD-54698-006	SHEET NO. 1 OF 1
DRAWING CONTAINS INFORMATION THAT IS PROPRIETARY TO MOLEX INCORPORATED AND SHOULD NOT BE USED WITHOUT WRITTEN PERMISSION.			
SIZE B			